

Project: _____

Type: _____



ARCHISHAPE® 2.0 Dot M/L

ARCHISHAPE® 2.0 Dot is a high-brightness, fully customizable media dot solution available in S, M or L with Clear or Diffused View lens to meet your project specifications. Each Dot is individually-addressable making ARCHISHAPE® 2.0 Dot a durable, scalable solution for vivid accents, graphics and video playback in installations of any size and complexity.



Product Specifications

Model		Dot M Clear View	Dot M Diffused View	Dot L Clear View	Dot L Diffused View
Number of Pixel		42	42	28	28
Light Source	RGB	6RGB		9RGB	
	RGBW	4RGB + 2W		6RGB + 3W	
Color Range		RGB, RGBW (White CCT: 6500K)			
Color Resolution	RGB	3 x 8-bit			
	RGBW	4 x 8-bit			
Beam Angle	RGB	110°	150°	110°	150°
	RGBW	110°	150°	110°	150°
Luminous Flux	RGB	50 lm	36 lm	75 lm	54 lm
	RGBW	65 lm	47 lm	150 lm	109 lm
Luminous intensity	RGB	25 cd	8 cd	38 cd	12 cd
	RGBW	33 cd	10 cd	75 cd	23 cd
Efficacy	RGB	31 lm/W	23 lm/W	25 lm/W	18 lm/W
	RGBW	33 lm/W	24 lm/W	50 lm/W	36 lm/W
Cover Lens		Clear View	Diffused View	Clear View	Diffused View
Pixel Pitch		120mm/4.72" to 2000mm/78.74" Standard: 150mm/6" or 300mm/12"		150mm/5.91" to 2000mm/78.74" Standard: 150mm/6" or 300mm/12"	
Housing		Aluminium housing + PC cover		Aluminium housing + PC cover	
Dimensions (L x W x H, excluding Mounting Bracket)		67.7mm x 52.2mm x 14mm	67.7mm x 52mm x 36mm	70.7mm x 55mm x 14mm	70.7mm x 55mm x 38mm
		2.67" x 2.06" x 0.56"	2.67" x 2.06" x 1.42"	2.78" x 2.17" x 0.56"	2.78" x 2.17" x 1.50"
Weight		66.9g / 0.15lb		73.6g / 0.16lb	
Regulatory Listing & Safety Approval		cETLus, FCC, ANSI 3G			
Operating Temperature		-20°C to +50°C/-4°F to +122°F			
Storage Temperature		-40°C to +80°C/-40°F to +176°F			
Environment		Outdoor (IP66); IK09			
Humidity		0 to 90% non-condensing			

Electrical Specifications

Operating Voltage	24V DC
Power Consumption ¹	2W 3W

System Specifications

Control	DMX512
Power Supply	LED Engine 100W 24V (Class 2)
Addressing Options	Auto-addressing with optional accessory and e:cue control, or manual addressing with 3rd party tool.

1. Measurement per dot.

Specification is subject to change due to continuous improvement.

LED CHARACTERISTICS Because LEDs are semiconductor devices, their performances are subject to inherent variability commonly found in semiconductor industry. To improve consistency in performance across the same product, LED manufacturers "sort" LEDs into bins according to different preset parameters, such as forward driving voltage, illumination, etc. Whereas binning is a sorting function, it is not a correction process. Inherent variability in the manufacturing process results always in different binning distributions according to different production lots. Traxon uses automatically binned LEDs on its products, thereby minimizing output variations within the model range.

As with all electronic devices, LED output degrades over time – a term called lumen depreciation. This also explains why it is nearly impossible to expect photometric performances of two LED products with different service life spans to be the same. The rate of LED degrade is a complicate function of many factors such as operating efficiency, duration of continuous operation, and more significantly, environmental conditions (ambient temperature for example). If allowed working under optimal operating temperature range and with good ventilation, LED devices enjoy long service lives over conventional light sources. When using/installing LED devices, care should be taken to ensure that the devices will operate within the operating conditions specified in respective product literature.

Lumen measurement complies with LM-79-08 standard.
Lumen maintenance is calculated based on LM-80 compliant measurement.

www.osram.us/traxon

©2022 TRAXON TECHNOLOGIES - AN OSRAM BUSINESS. ALL RIGHTS RESERVED. TRAXON™, TX CONNECT®, ARE TRADEMARKS OF TRAXON TECHNOLOGIES. U.S. PATENTS, E.U. PATENTS, JAPAN PATENTS, OTHER PATENTS PENDING. SPECIFICATIONS ARE SUBJECT TO CHANGE WITHOUT NOTICE.

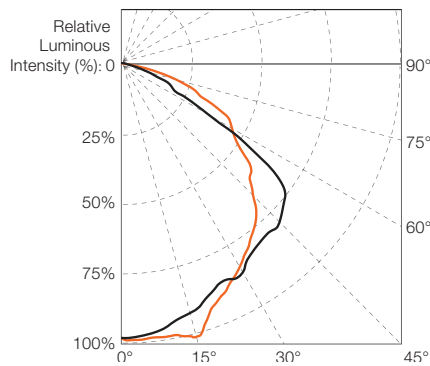
Source Specifications (Clear View)

	M	L
Light Source	RGB: 6RGB RGBW: 4RGB + 2W	RGB: 9RGB RGBW: 6RGB + 3W
Optics	RGB: 110° RGBW: 110°	RGB: 150° RGBW: 150°

Candela Distribution (Clear)

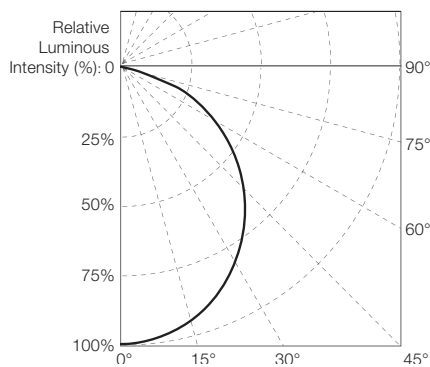
Light Output

RGBW



	Color	Luminous Flux (lm)	Candela Distribution @100%	Efficacy (lm/W)
Dot M RGBW	RGBW (Full-on)	65.00	32.50	32.50
Dot L RGBW	RGBW (Full-on)	150.00	75.00	50.00

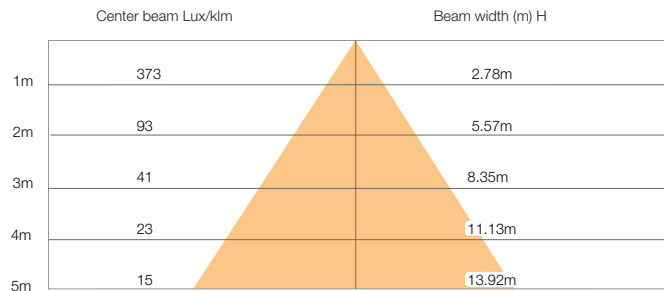
RGB



	Color	Luminous Flux (lm)	Candela Distribution @100%	Efficacy (lm/W)
Dot M RGB	RGB (Full-on)	50.00	25.00	31.25
Dot L RGB	RGB (Full-on)	75.00	32.50	25.00

Illuminance at a Distance

RGB, Clear

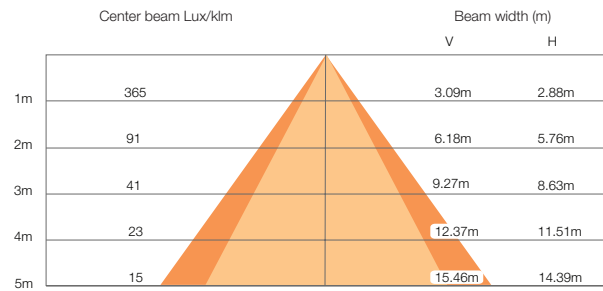


● Horiz. Spread: 108.6°
For feet multiply by 3.28

For fc divide by 10.7

IES and LDT files are available for download from the Traxon website.

RGBW, Clear



● Vert. Spread: 114.2°
● Horiz. Spread: 110.4°

For fc divide by 10.7

IES and LDT files are available for download from the Traxon website.

ARCHISHAPE® 2.0 Dot M/L

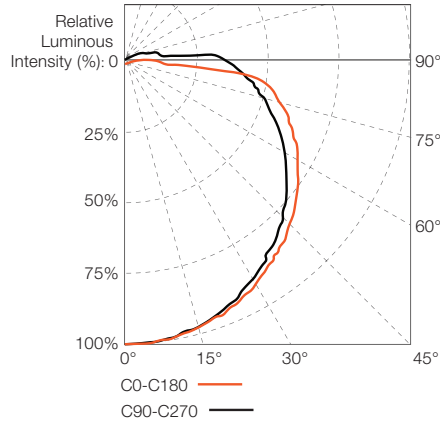
Photometrics

Source Specifications (Diffused View)

	M	L
Light Source	RGB: 6RGB RGBW: 4RGB + 2W	RGB: 9RGB RGBW: 6RGB + 3W
Optics	RGB: 110° RGBW: 110°	RGB: 150° RGBW: 150°

Candela Distribution

Light Output



	Color	Luminous Flux (lm)	Candela Distribution @100%	Efficacy (lm/W)
Dot M	RGBW	47.10	10.10	23.50
RGBW	(Full-on)			
Dot L	RGBW	108.60	23.40	36.20
RGBW	(Full-on)			

	Color	Luminous Flux (lm)	Candela Distribution @100%	Efficacy (lm/W)
Dot M	RGB	36.20	7.80	22.60
RGB	(Full-on)			
Dot L	RGB	54.30	11.70	18.10
RGBW	(Full-on)			

Illuminance at a Distance

	Center beam Lux/klm	Beam width (m)	
		V	H
0.5m	860	3.73m	7.70m
1.0m	215	7.46m	15.40m
1.5m	96	11.20m	23.10m
2.0m	54	14.93m	30.80m
2.5m	34	18.66m	38.50m
3.0m	24	22.39m	46.20m

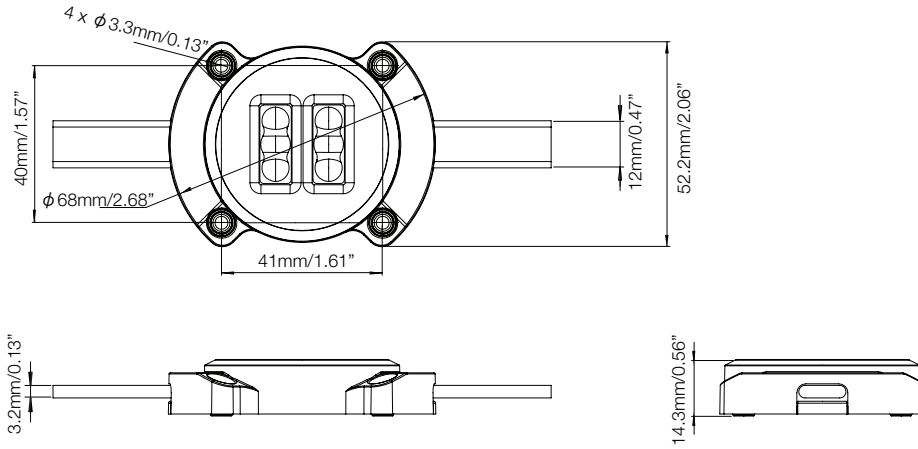
- Vert. Spread: 150.0°
- Horiz. Spread: 165.2°

For fc divide by 10.7

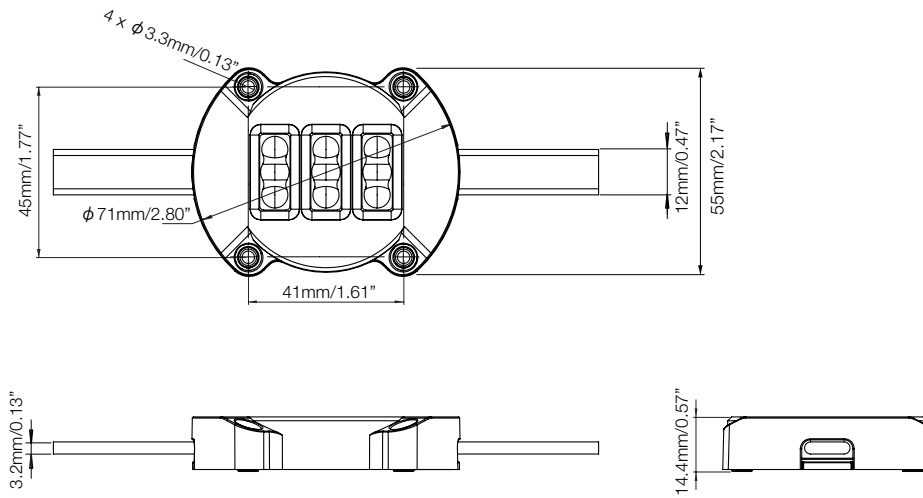
For feet multiply by 3.28

IES and LDT files are available for download from the Traxon website.

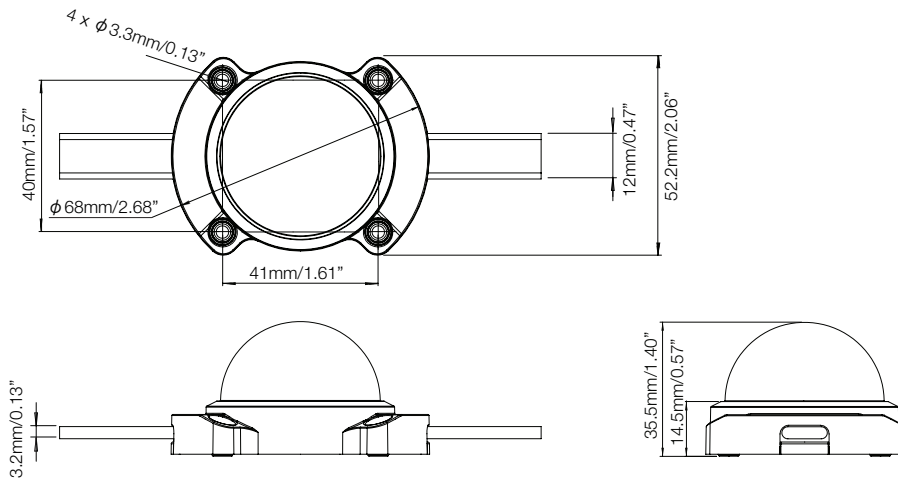
Clear View M



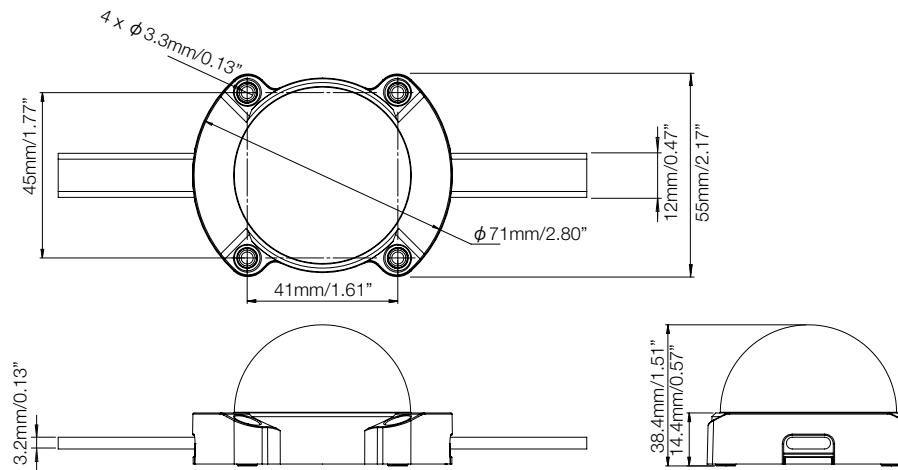
Clear View L



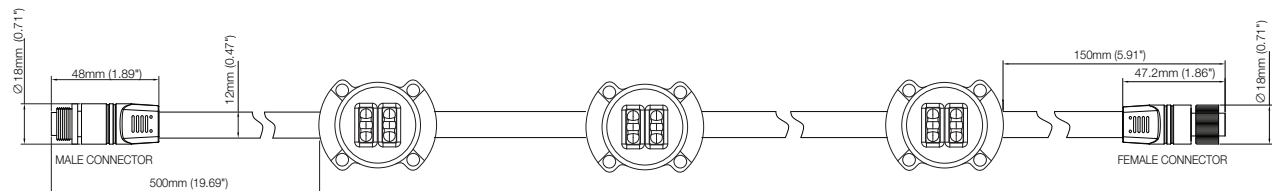
Diffused View M



Diffused View L



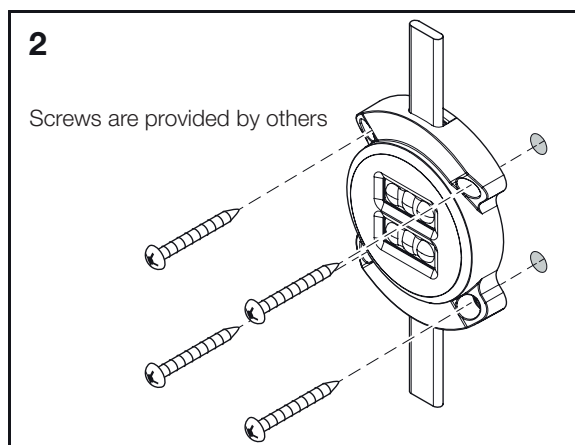
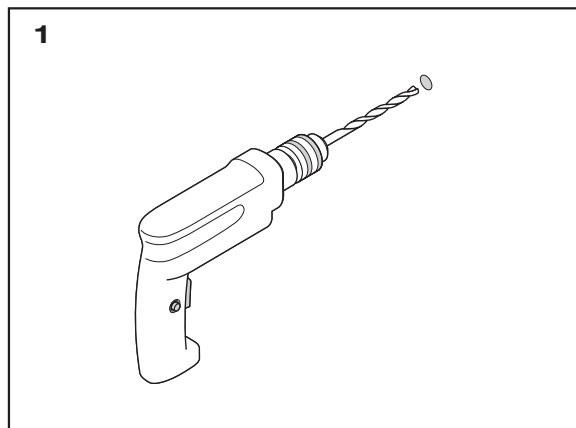
Input Connectors and Lead Cable



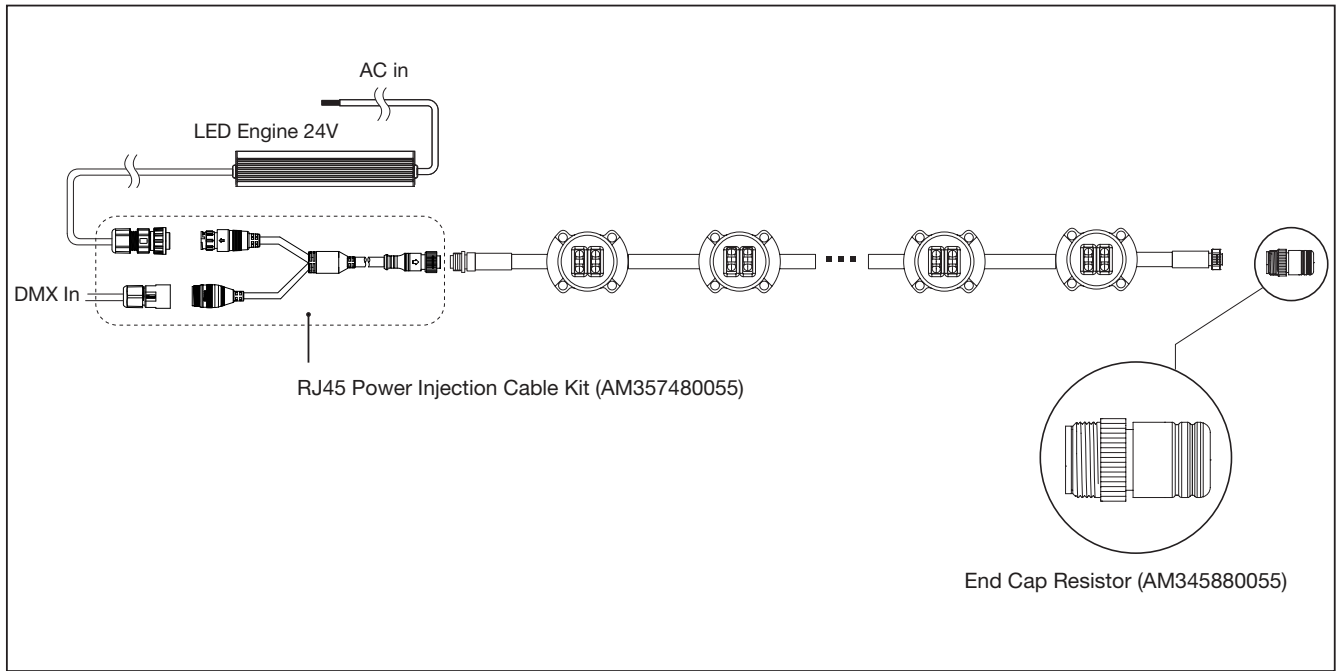
NOTE: Cable and connector dimensions are the same for ARCHISHAPE® 2.0 Dot M and L.

Mounting Steps

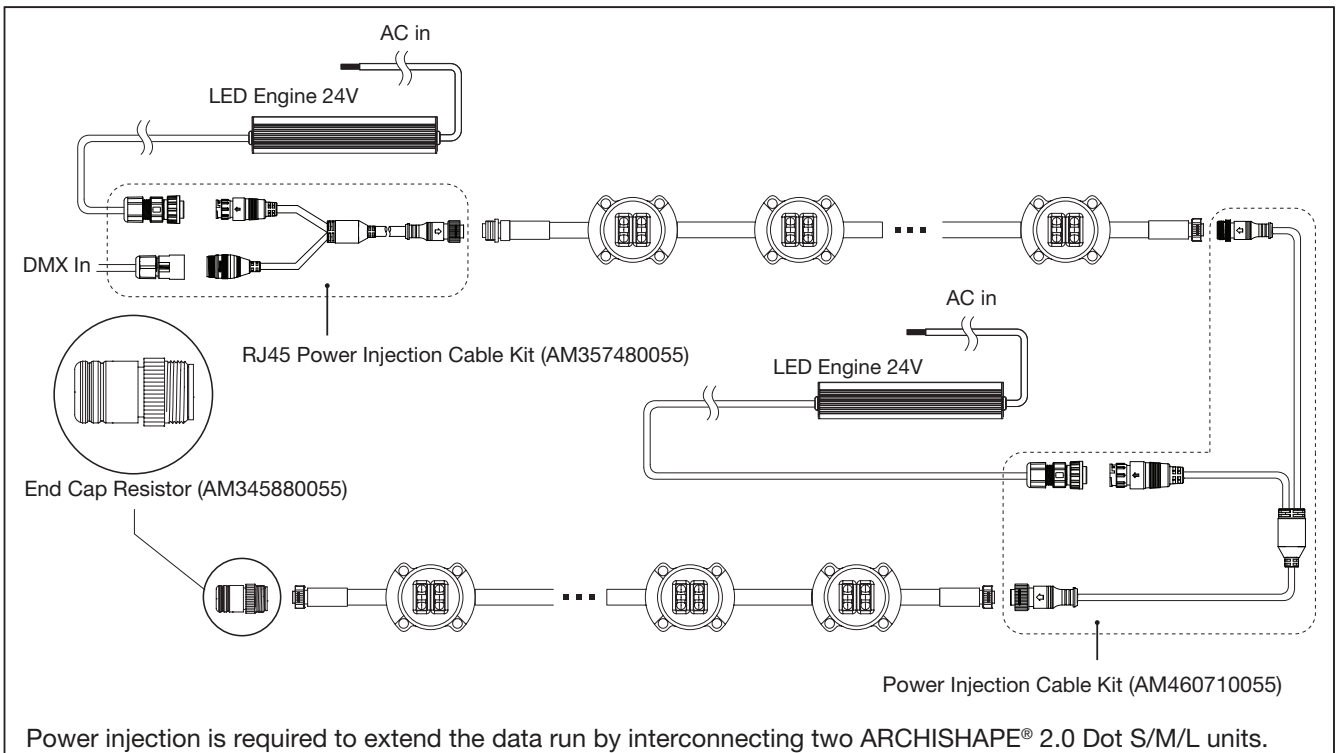
NOTE: See Installation Guide for additional best practices.



System diagram (Basic)

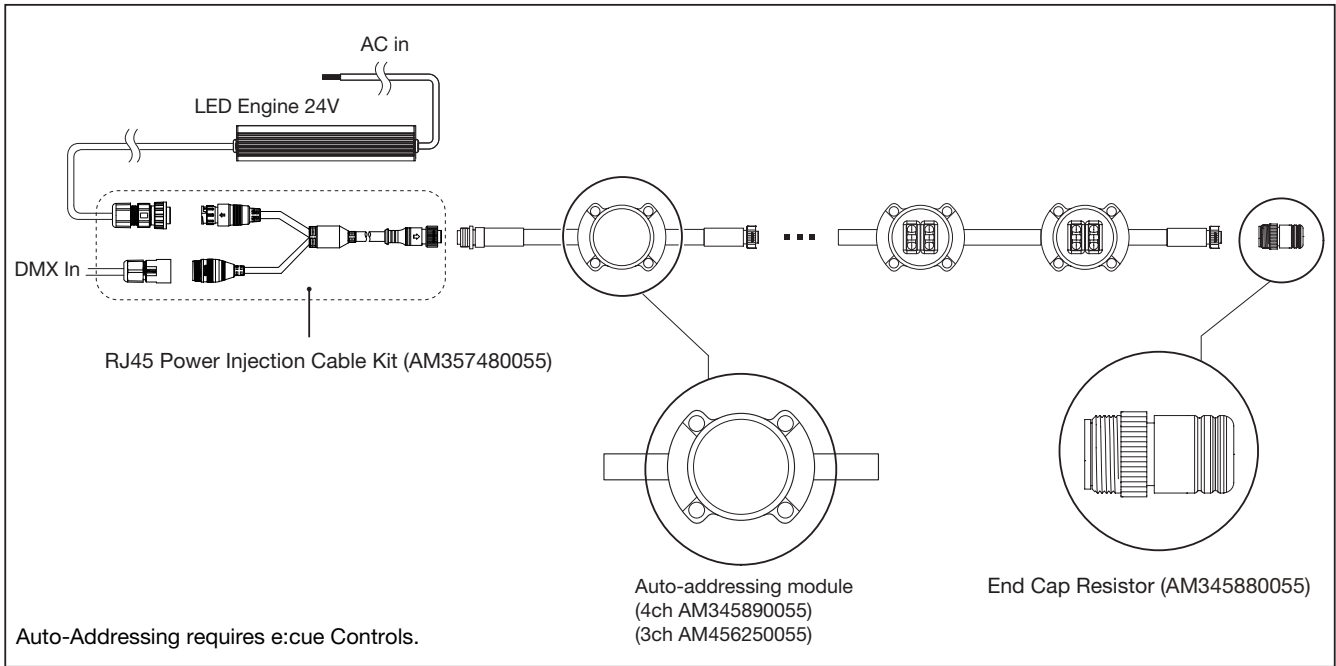


System diagram (Power Injection)

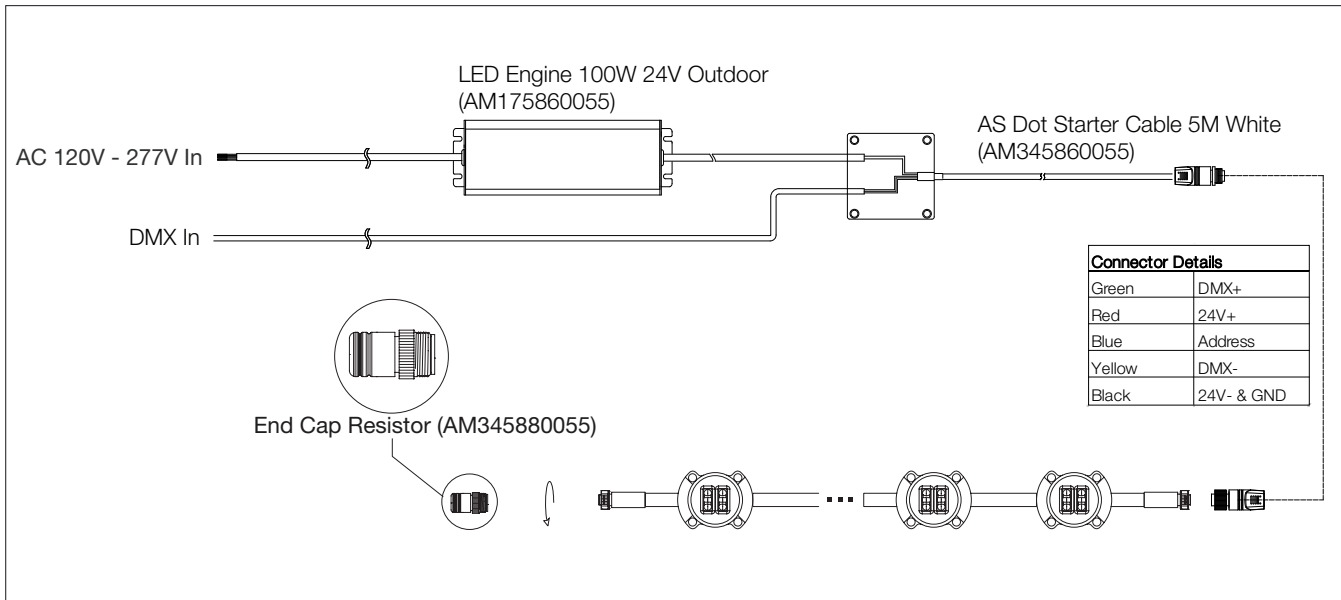


Power injection is required to extend the data run by interconnecting two ARCHISHAPE® 2.0 Dot S/M/L units.

System diagram (Auto-addressing Module)



System diagram (Junction Box)



ARCHISHAPE® 2.0 Dot M/L

Ordering

Fixtures

Model No.	Description	Item Code
DO.AF.2111010	AS DOT M RGB CR 42PXL 150P 0.5M WT 24V ETL	AM456130055
DO.AF.1111010	AS DOT M RGBW CR 42PXL 150P 0.5M WT 24V ETL	AM456140055
DO.AF.2111020	AS DOT M RGB CR 42PXL 300P 0.5M WT 24V ETL	AM456150055
DO.AF.1111020	AS DOT M RGBW CR 42PXL 300P 0.5M WT 24V ETL	AM456160055
DO.AF.2211010	AS DOT M RGB DF 42PXL 150P 0.5M WT 24V ETL	AM456170055
DO.AF.1211010	AS DOT M RGBW DF 42PXL 150P 0.5M WT 24V ETL	AM456180055
DO.AF.2211020	AS DOT M RGB DF 42PXL 300P 0.5M WT 24V ETL	AM456190055
DO.AF.1211020	AS DOT M RGBW DF 42PXL 300P 0.5M WT 24V ETL	AM456200055
DO.AG.1111010	AS DOT L RGBW CR 28PXL 150P 0.5M WT 24V ETL	AM456210055
DO.AG.1111020	AS DOT L RGBW CR 28PXL 300P 0.5M WT 24V ETL	AM456220055
DO.AG.1211010	AS DOT L RGBW DF 28PXL 150P 0.5M WT 24V ETL	AM456230055
DO.AG.1211020	AS DOT L RGBW DF 28PXL 300P 0.5M WT 24V ETL	AM456240055
DO.AG.2111010	AS DOT L RGB CLEAR 28PL 150 0.5 24V ETL	AM460670055
DO.AG.2111020	AS DOT L RGB CLEAR 28PL 300 0.5 24V ETL	AM460680055
DO.AG.2211010	AS DOT L RGB DOME 28PL 150 0.5 24V ETL	AM460690055
DO.AG.2211020	AS DOT L RGB DOME 28PL 300 0.5 24V ETL	AM460700055

Standard Accessories

Model No.	Description	Item Code
N/A	AS DOT AUTO-ADDRESS MODULE 4CH WHITE	AM345890055
N/A	AS DOT TX AUTO-ADDRESS MODULE 3CH WHITE	AM456250055
N/A	AS DOT END CAP RESISTOR WHITE	AM345880055
N/A	AS DOT POWER INJECTION CABLE WHITE	AM460710055
N/A	AS DOT RJ45 POWER INJ CABLE KIT TX WHITE	AM357480055
N/A	AS DOT STARTER CABLE 5M WHITE	AM345860055
N/A	AS DOT S MOUNTING CLIP WHITE	AM357440055
N/A	AS DOT INTERCONNECTION CABLE 1M WHITE	AM460720055

Power Supply

Model No.	Description	Item Code
N/A	LED ENGINE 100W 24V OUTDOOR	AM175860055

Our Brands

traxon e:cue

www.osram.us/traxon

OSRAM

©2022 TRAXON TECHNOLOGIES - AN OSRAM BUSINESS. ALL RIGHTS RESERVED. TRAXON™, TX CONNECT®, ARE TRADEMARKS OF TRAXON TECHNOLOGIES. U.S. PATENTS, E.U. PATENTS, JAPAN PATENTS, OTHER PATENTS PENDING. SPECIFICATIONS ARE SUBJECT TO CHANGE WITHOUT NOTICE.