

Date: \_\_\_\_\_ Quantity: \_\_\_\_\_

Company: \_\_\_\_\_

Project: \_\_\_\_\_



## ProPoint™ Linear HO Static White + Color

The ProPoint Linear Static White + Color is an AC Line powered luminaire in a slim profile. The ProPoint Linear is available in 8W (SO) or 12W (HO) per foot output, 4 beam options, standard & custom finishes which can meet the needs for most projects. The daisy chain topology is augmented with a separate Data Injector allowing single cable feed combining data and power to fixtures.

### Product Specifications

<b>Model</b>	ProPoint Linear HO Static White 1'	ProPoint Linear HO Static White 4'
<b>Light Source</b>	5 LED	20 LED
<b>Color Range</b>	3000K / 4000K Standard 2200K, 2700K, 3500K, 5000K, 6500K, Red, Green, Blue, Amber available <sup>1</sup>	
<b>Beam Angle</b>	15°, 25°, 35°, 50° x 30°, 105° x 105°	
<b>Luminous Flux</b>	970 / 1157 lm @15°	3982 / 4740 lm @15°
<b>Efficacy</b>	76 / 89 lm/W @15°	79 / 96 lm/W @15°
<b>Lumen Maintenance</b>	L <sub>70</sub> @25° 81,000 hours	
<b>Cover Lens</b>	Tempered Glass	
<b>Housing</b>	Die Cast Aluminum	
<b>Adjustment Options</b>	±90°	
<b>Size</b>	300mm x 58mm x 90mm (12" x 2.3" x 3.6")	1200mm x 58mm x 90mm (48" x 2.3" x 3.6")
<b>Weight</b>	1.35 kg (3 lbs.)	3.6 kg (8 lbs.)
<b>Regulatory/Product Certifications</b>	cETLus, FCC, RoHS, ASTM B117-16, ANSI 3G, IK08	
<b>Operating Temperature</b>	-30°C to +55°C (-22°F to +131°F)	
<b>Minimum Starting Temperature</b>	-20°C (-4°F)	
<b>Storage Temperature</b>	-40°C to +80°C (-40°F to +176°F)	
<b>Environment</b>	IP66 Outdoor, suitable for coastal environments	
<b>Humidity</b>	85%, non-condensing	

### Electrical Specifications

<b>Input Voltage<sup>1</sup></b>	100-277V <sub>AC</sub> 50/60Hz	
<b>Wattage</b>	12W	48 W
<b>Power Factor</b>	≥0.9	

### System Specifications

<b>Power</b>	AC Line
<b>Control</b>	DMX512, RDM Enabled
<b>Power Supply</b>	Integrated

1. No MOQ required. Please consult regional sales office for pricing and lead time.
2. Auto-switching. Single phase (line, neutral and ground).

**LED CHARACTERISTICS:** Because LEDs are semiconductor devices, their performances are subject to inherent variability commonly found in semiconductor industry. To improve consistency in performance across the same product, LED manufacturers "sort" LEDs into bins according to different preset parameters, such as forward driving voltage, illumination, etc. Whereas binning is a sorting function, it is not a correction process. Inherent variability in the manufacturing process always results in different binning distributions according to different production lots. Traxon uses automatically binned LEDs on its products, thereby minimizing output variations within the model range.

As with all electronic devices, LED output degrades over time – a term called lumen depreciation. This also explains why it is nearly impossible to expect photometric performances of two LED products with different service life spans to be the same. The rate of LED degrade is a complicated function involving many factors, such as operating efficiency, duration of continuous operation and, more significantly, environmental conditions (ambient temperature for example). If allowed, working under optimal operating temperature range and with good ventilation, LED devices enjoy long service lives over conventional light sources. When using/installing LED devices, care should be taken to ensure that the devices will operate within the operating conditions specified in respective product literature.

Lumen measurement complies with LM-79-08 standard.  
Lumen maintenance is calculated based on LM-80 compliant measurement.

[www.traxontechnologies.com](http://www.traxontechnologies.com)  
[www.osram.us/traxon](http://www.osram.us/traxon)

©2019 TRAXON TECHNOLOGIES - AN OSRAM BUSINESS. ALL RIGHTS RESERVED. TRAXON™ AND TX CONNECT® ARE TRADEMARKS OF TRAXON TECHNOLOGIES. U.S. PATENTS, E.U. PATENTS, JAPAN PATENTS, OTHER PATENTS PENDING. SPECIFICATIONS ARE SUBJECT TO CHANGE WITHOUT NOTICE.

### Source Specifications

LED Source	5 LED / 20 LED
Beam Angle	15°
Cover Lens	Tempered Glass

### Candela Distribution

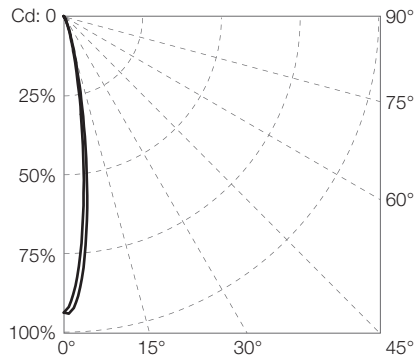


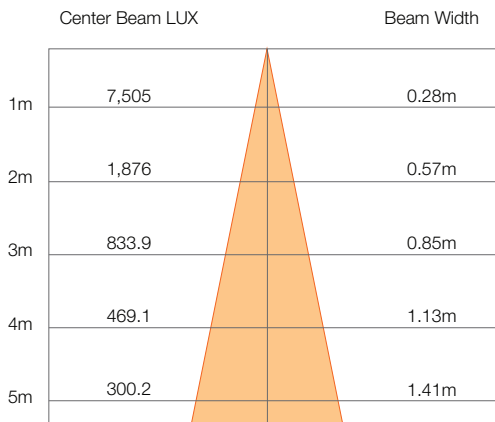
Diagram based on HO 3000K 15°

### Light Output

Color Temperature	Luminous Flux (lm)	Candela Distribution @100%	Efficacy (lm/W)
<b>ProPoint Linear HO Static White 15° 1'</b>			
3000K	970.88	7,507.30	76.45
4000K	1,157.8	8,834.26	89.75
<b>ProPoint Linear HO Static White 15° 4'</b>			
3000K	3,982.1	30,119.35	79.17
4000K	4,740.1	34,421.43	96.54

### Illuminance at a Distance

#### ProPoint Linear HO Static White 15° 1'

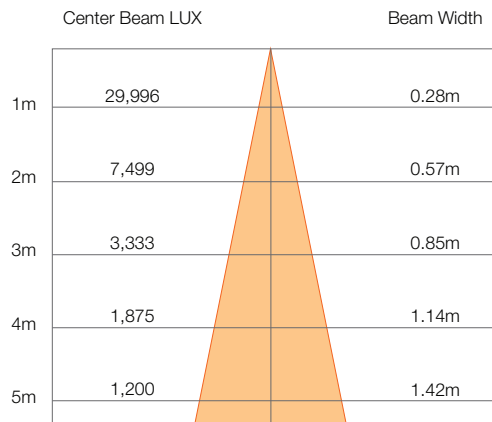


● Vert. Spread: 16.1°  
 ● Horiz. Spread: 16.1°

For feet multiply by 3.28

For fc divide by 10.7

#### ProPoint Linear HO Static White 15° 4'



● Vert. Spread: 16.2°  
 ● Horiz. Spread: 16.2°

For feet multiply by 3.28

For fc divide by 10.7

Diagrams based on HO 3000K 15° measurements

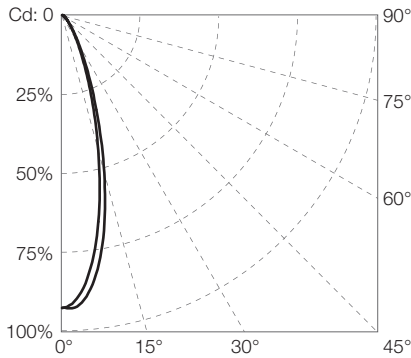
# ProPoint™ Linear HO Static White + Color

## Photometrics

### Source Specifications

LED Source	5 LED / 20 LED
Beam Angle	25°
Cover Lens	Tempered Glass

### Candela Distribution



### Light Output

Color Temperature	Luminous Flux (lm)	Candela Distribution @100%	Efficacy (lm/W)
<b>ProPoint Linear HO Static White 25° 1'</b>			
3000K	881.79	2,315.07	68.36
4000K	1,047.9	2,769.94	81.23
<b>ProPoint Linear HO Static White 25° 4'</b>			
3000K	3,532.2	9,092.28	69.94
4000K	4,233.2	10,983.19	86.39

### Illuminance at a Distance

#### ProPoint Linear HO Static White 25° 1'

	Center Beam LUX	Beam Width
1m	2,315	0.52m
2m	578.8	1.04m
3m	257.3	1.56m
4m	144.7	2.08m
5m	92.62	2.61m

- Vert. Spread: 29.2°
- Horiz. Spread: 29.2°

For feet multiply by 3.28

For fc divide by 10.7

#### ProPoint Linear HO Static White 25° 4'

	Center Beam LUX	Beam Width
1m	9,056	0.52m
2m	2,264	1.04m
3m	1,006	1.56m
4m	566.0	2.08m
5m	362.2	2.61m

- Vert. Spread: 29.2°
- Horiz. Spread: 29.2°

For feet multiply by 3.28

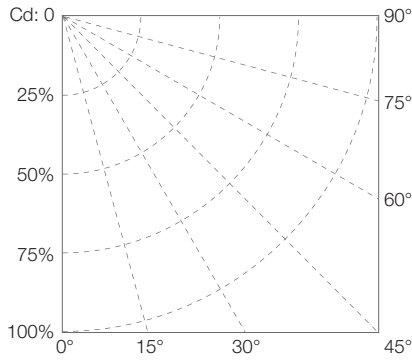
For fc divide by 10.7

Diagrams based on HO 3000K 25° measurements

### Source Specifications

LED Source	5 LED / 20 LED
Beam Angle	35°
Cover Lens	Tempered Glass

### Candela Distribution

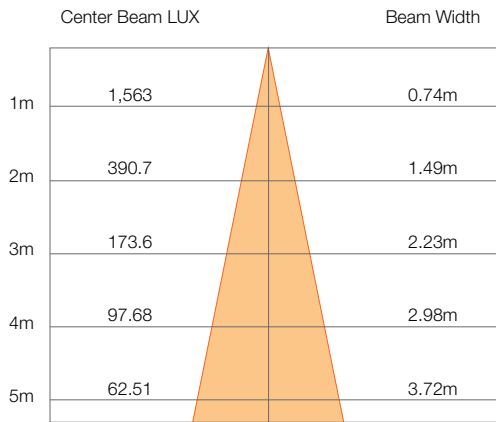


### Light Output

Color Temperature	Luminous Flux (lm)	Candela Distribution @100%	Efficacy (lm/W)
<b>ProPoint Linear HO Static White 35° 1'</b>			
3000K	932.95	1,563.13	72.89
4000K	1,104.5	1,784.93	85.62
<b>ProPoint Linear HO Static White 35° 4'</b>			
3000K	3,749.3	5,936.84	74.39
4000K	4,492.9	7,103.87	91.32

### Illuminance at a Distance

#### ProPoint Linear HO Static White 35° 1'

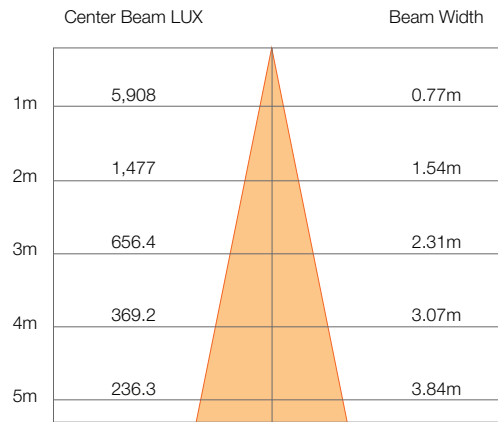


- Vert. Spread: 40.9°
- Horiz. Spread: 40.9°

For feet multiply by 3.28

For fc divide by 10.7

#### ProPoint Linear HO Static White 35° 4'



- Vert. Spread: 42.0°
- Horiz. Spread: 42.0°

For feet multiply by 3.28

For fc divide by 10.7

Diagrams based on HO 3000K 35° measurements

# ProPoint™ Linear HO Static White + Color

## Photometrics

### Source Specifications

LED Source	5 LED / 20 LED
Beam Angle	50° x 30°
Cover Lens	Tempered Glass

### Candela Distribution

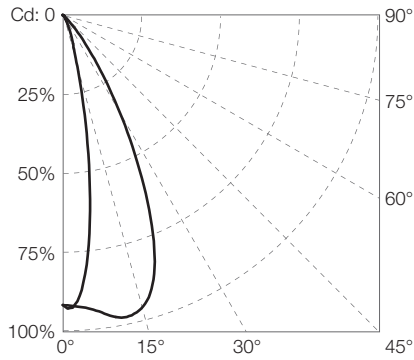


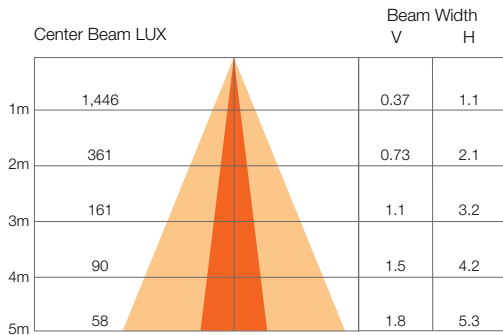
Diagram based on HO 3000K 50x30°

### Light Output

Color Temperature	Luminous Flux (lm)	Candela Distribution @100%	Efficacy (lm/W)
<b>ProPoint Linear HO Static White 50° x 30° 1'</b>			
3000K	880.93	2,481.98	68.82
4000K	1,057.2	3,069.84	81.32
<b>ProPoint Linear HO Static White 50° x 30° 4'</b>			
3000K	3,527.7	9,752.05	70.13
4000K	4,243	11,956.99	86.95

### Illuminance at a Distance

#### ProPoint Linear HO Static White 50° x 30° 1'

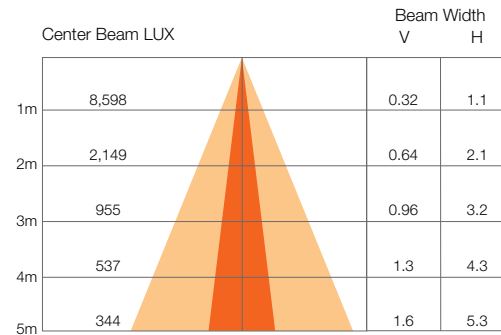


● Vert Spread: 20.8°  
 ● Horiz Spread: 55.4°

For feet multiply by 3.28

For fc divide by 10.7

#### ProPoint Linear HO Static White 50° x 30° 4'



● Vert Spread: 18.2°  
 ● Horiz Spread: 56.2°

For feet multiply by 3.28

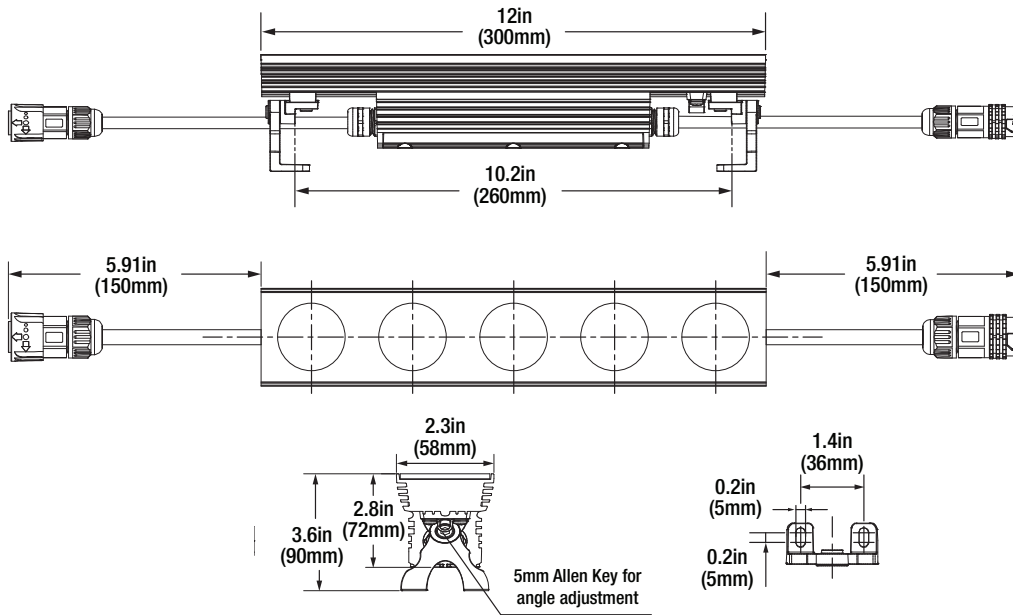
For fc divide by 10.7

Diagrams based on HO 3000K 50° x 30° measurements

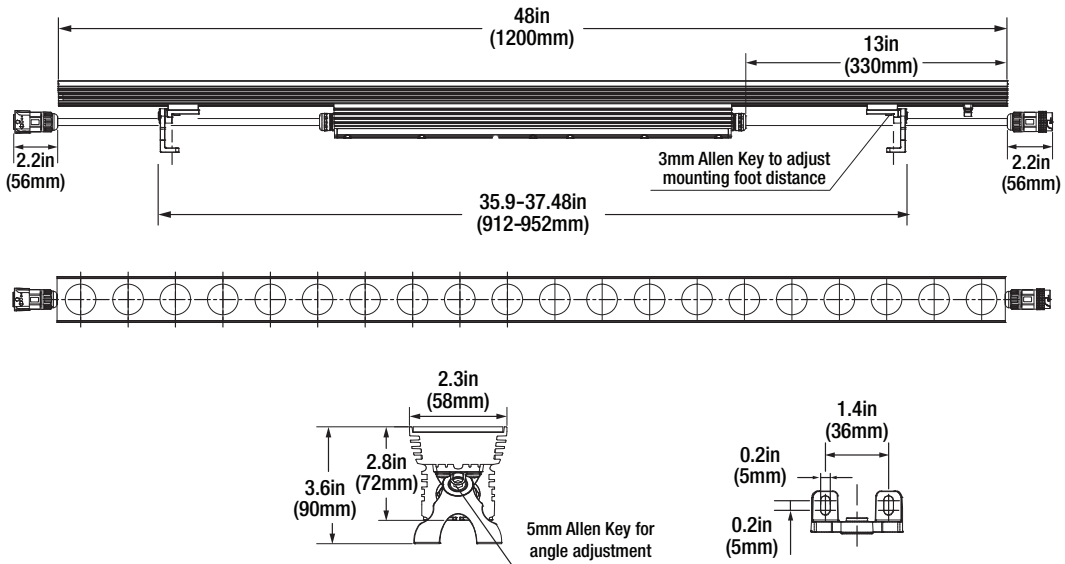
# ProPoint™ Linear HO Static White + Color

## Dimensions

### ProPoint™ Linear 1'



### ProPoint Linear 4'

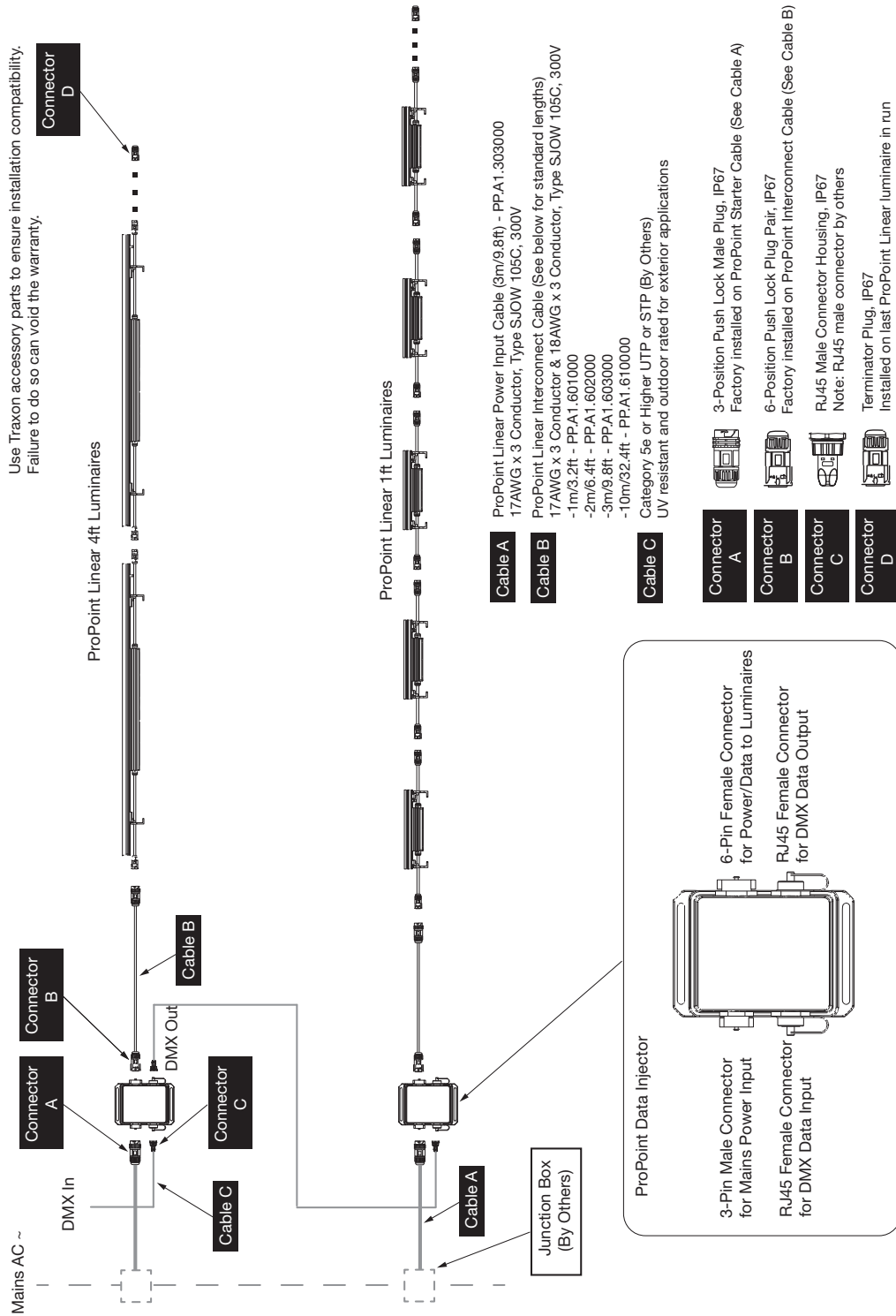


www.traxontechnologies.com  
www.osram.us/traxon

©2019 TRAXON TECHNOLOGIES - AN OSRAM BUSINESS. ALL RIGHTS RESERVED. TRAXON™ AND TX CONNECT® ARE TRADEMARKS OF TRAXON TECHNOLOGIES. U.S. PATENTS, E.U. PATENTS, JAPAN PATENTS, OTHER PATENTS PENDING. SPECIFICATIONS ARE SUBJECT TO CHANGE WITHOUT NOTICE.

# ProPoint™ Linear HO Static White + Color

## System Diagram



www.traxontechnologies.com  
www.osram.us/traxon

©2019 TRAXON TECHNOLOGIES - AN OSRAM BUSINESS. ALL RIGHTS RESERVED. TRAXON™ AND TX CONNECT® ARE TRADEMARKS OF TRAXON TECHNOLOGIES. U.S. PATENTS, E.U. PATENTS, JAPAN PATENTS, OTHER PATENTS PENDING. SPECIFICATIONS ARE SUBJECT TO CHANGE WITHOUT NOTICE.

# ProPoint™ Linear HO Static White + Color

Ordering

## Model Number

PP	.	XX	.	9	1	X	4	X	X
ProPoint		Linear HO		Control	Color	CCT	Approbation	Optic	Finish
		L1 - 4' 48W		9: DMX	1: Static White	3: 3000K	4: cETLus	2: 15°	1: Gray
		L4 - 1' 12W				4: 4000K		3: 25°	2: Black
								4: 35°	3: White
								5: 50° x 30°	
								6: 105° x 105°	

## Fixtures

Model Number	Description	Item Code
PP.L4.913421	ProPoint Linear HO (12W) 1' 3000K 15°	
PP.L4.913431	ProPoint Linear HO (12W) 1' 3000K 25°	
PP.L4.913441	ProPoint Linear HO (12W) 1' 3000K 35°	
PP.L4.913451	ProPoint Linear HO (12W) 1' 3000K 50°x30°	
PP.L1.913421	ProPoint Linear HO (48W) 4' 3000K 15°	
PP.L1.913431	ProPoint Linear HO (48W) 4' 3000K 25°	
PP.L1.913441	ProPoint Linear HO (48W) 4' 3000K 35°	
PP.L1.913451	ProPoint Linear HO (48W) 4' 3000K 50°x30°	
PP.L4.914421	ProPoint Linear HO (12W) 1' 4000K 15°	
PP.L4.914431	ProPoint Linear HO (12W) 1' 4000K 25°	
PP.L4.914441	ProPoint Linear HO (12W) 1' 4000K 35°	
PP.L4.914451	ProPoint Linear HO (12W) 1' 4000K 50°x30°	
PP.L1.914421	ProPoint Linear HO (48W) 4' 4000K 15°	AM370780055
PP.L1.914431	ProPoint Linear HO (48W) 4' 4000K 25°	
PP.L1.914441	ProPoint Linear HO (48W) 4' 4000K 35°	
PP.L1.914451	ProPoint Linear HO (48W) 4' 4000K 50°x30°	
PP.L4.913422	ProPoint Linear HO (12W) 1' 3000K 15° BL	
PP.L4.913432	ProPoint Linear HO (12W) 1' 3000K 25° BL	
PP.L4.913442	ProPoint Linear HO (12W) 1' 3000K 35° BL	
PP.L4.913452	ProPoint Linear HO (12W) 1' 3000K 50°x30° BL	
PP.L1.913422	ProPoint Linear HO (48W) 4' 3000K 15° BL	
PP.L1.913432	ProPoint Linear HO (48W) 4' 3000K 25° BL	
PP.L1.913442	ProPoint Linear HO (48W) 4' 3000K 35° BL	
PP.L1.913452	ProPoint Linear HO (48W) 4' 3000K 50°x30° BL	

[www.traxontechnologies.com](http://www.traxontechnologies.com)  
[www.osram.us/traxon](http://www.osram.us/traxon)

©2019 TRAXON TECHNOLOGIES - AN OSRAM BUSINESS. ALL RIGHTS RESERVED. TRAXON™ AND TX CONNECT® ARE TRADEMARKS OF TRAXON TECHNOLOGIES. U.S. PATENTS, E.U. PATENTS, JAPAN PATENTS, OTHER PATENTS PENDING. SPECIFICATIONS ARE SUBJECT TO CHANGE WITHOUT NOTICE.



### Fixtures (continued)

Model Number	Description	Item Code
PPL4.914422	ProPoint Linear HO (12W) 1' 4000K 15° BL	
PPL4.914432	ProPoint Linear HO (12W) 1' 4000K 25° BL	
PPL4.914442	ProPoint Linear HO (12W) 1' 4000K 35° BL	
PPL4.914452	ProPoint Linear HO (12W) 1' 4000K 50°x30° BL	
PPL1.914422	ProPoint Linear HO (48W) 4' 4000K 15° BL	
PPL1.914432	ProPoint Linear HO (48W) 4' 4000K 25° BL	
PPL1.914442	ProPoint Linear HO (48W) 4' 4000K 35° BL	
PPL1.914452	ProPoint Linear HO (48W) 4' 4000K 50°x30° BL	
PPL4.913423	ProPoint Linear HO (12W) 1' 3000K 15° WT	
PPL4.913433	ProPoint Linear HO (12W) 1' 3000K 25° WT	
PPL4.913443	ProPoint Linear HO (12W) 1' 3000K 35° WT	
PPL4.913453	ProPoint Linear HO (12W) 1' 3000K 50°x30° WT	
PPL1.913423	ProPoint Linear HO (48W) 4' 3000K 15° WT	
PPL1.913433	ProPoint Linear HO (48W) 4' 3000K 25° WT	
PPL1.913443	ProPoint Linear HO (48W) 4' 3000K 35° WT	
PPL1.913453	ProPoint Linear HO (48W) 4' 3000K 50°x30° WT	
PPL4.914423	ProPoint Linear HO (12W) 1' 4000K 15° WT	
PPL4.914433	ProPoint Linear HO (12W) 1' 4000K 25° WT	
PPL4.914443	ProPoint Linear HO (12W) 1' 4000K 35° WT	
PPL4.914453	ProPoint Linear HO (12W) 1' 4000K 50°x30° WT	
PPL1.914423	ProPoint Linear HO (48W) 4' 4000K 15° WT	
PPL1.914433	ProPoint Linear HO (48W) 4' 4000K 25° WT	
PPL1.914443	ProPoint Linear HO (48W) 4' 4000K 35° WT	
PPL1.914453	ProPoint Linear HO (48W) 4' 4000K 50°x30° WT	

## ProPoint™ Linear HO Static White + Color

Ordering

### Accessories

Model Number	Description	Item Code
PP.AC.100001	ProPoint Data Injector Box (cETLus/CE)	AM280370055
PP.AC.100002	ProPoint Data Injector Box (cETLus/CE) BL	
PP.AC.100003	ProPoint Data Injector Box (cETLus/CE) WT	
PP.AC.600000	ProPoint Linear End Cap w/ Termination Resistor	AM280380055
PP.AC.400000	ProPoint RJ45 Field Install Connectors (pair)	AM280400055
PP.A1.303000	3m Power Input Cable (cETLus)	AM280360055
PP.A1.A03000	3M / 9.8ft ProPoint on/off Power Input cable (cETLus)	AM460630055
PP.A1.601000	1m ProPoint Linear Power/Data Int Cable (cETLus)	AM280310055
PP.A1.602000	2m ProPoint Linear Power/Data Int Cable (cETLus)	AM280330055
PP.A1.603000	3m ProPoint Linear Power/Data Int Cable (cETLus)	AM280340055
PP.A1.610000	10m ProPoint Linear Power/Data Int Cable (cETLus)	AM280350055
PP.LA.200011	Asymmetric Louver 1'	
PP.LA.200012	Asymmetric Louver 1' BL	
PP.LA.200013	Asymmetric Louver 1' WT	
PP.LA.200041	Asymmetric Louver 4'	
PP.LA.200042	Asymmetric Louver 4' BL	
PP.LA.200043	Asymmetric Louver 4' WT	
PP.LA.100001	Wall Mount Arm	
PP.LA.100002	Wall Mount Arm BL	
PP.LA.100003	Wall Mount Arm WT	
PP.AK.000003	ProPoint 3mm Allen Key	
PP.AK.000005	ProPoint 5mm Allen Key	

### Our Brands

traxon **ecue**

[www.traxontechnologies.com](http://www.traxontechnologies.com)  
[www.osram.us/traxon](http://www.osram.us/traxon)

**OSRAM**

©2019 TRAXON TECHNOLOGIES - AN OSRAM BUSINESS. ALL RIGHTS RESERVED. TRAXON™ AND TX CONNECT® ARE TRADEMARKS OF TRAXON TECHNOLOGIES. U.S. PATENTS, E.U. PATENTS, JAPAN PATENTS, OTHER PATENTS PENDING. SPECIFICATIONS ARE SUBJECT TO CHANGE WITHOUT NOTICE.