

## Allegro Dot M WW Allegro Dot L WW

Allegro Dot WW is the next generation of intelligent media dot family. It is an extra bright Warm White clear or diffused dot. The dots can provide advanced features and flexibility for lighting design and project execution. Customizable pitch containing up to 38 dots max in Dot M and 22 dots max in Dot L.

### Product Specifications



Model	Allegro Dot M WW Direct View	Allegro Dot M WW Diffused View	Allegro Dot L WW Direct View	Allegro Dot L WW Diffused View
<b>Light Source</b>	6 White LEDs per dot		8 White LEDs per dot	
<b>Beam Angle</b>	110°	150°	110°	150°
<b>Luminous Flux<sup>1</sup></b>	178 lm	160 lm	288 lm	259 lm
<b>Efficacy<sup>1</sup></b>	93 lm/W	83 lm/W	91 lm/W	82 lm/W
<b>Cover Lens</b>	Clear (PC)	Diffuser dome (PC)	Clear (PC)	Diffuser dome (PC)
<b>LED Pitch</b>	100mm to 4000mm; Standard: 150mm			
<b>Housing</b>	Die cast aluminum with PC cover			
<b>Adjustment Options</b>	Flexible cable			
<b>Dimensions (Ø x L x H)</b>	Ø68 x 60 x 17mm Ø2.7" x 2.4" x 0.7"	Ø68 x 60 x 39mm Ø2.7" x 2.4" x 1.5"	Ø68 x 60 x 17mm Ø2.7" x 2.4" x 0.7"	Ø68 x 60 x 39mm Ø2.7" x 2.4" x 1.5"
<b>Weight</b>	80g	90g	80g	90g
<b>Regulatory Listing &amp; Safety Approval</b>	cETLus, 3G ANSI C136.31			
<b>Operating Temperature</b>	-30°C to +50°C/-22°F to +122°F			
<b>Storage Temperature</b>	-40°C to +70°C/-40°F to +158°F			
<b>Environment</b>	Outdoor (IP66, IP67), suitable for coastal environments			
<b>Humidity</b>	0 to 90% non-condensing			

### Electrical Specifications

<b>Operating Voltage</b>	30V DC	
<b>Power Consumption<sup>1</sup></b>	2W	3W

### System Specifications

<b>Control</b>	DMX512/e:pix/RDM/e:net
<b>Power Supply</b>	LED ENG 100W 30V IP67 AL DO (Class 2)
<b>Addressing Options</b>	Auto-Addressing

#### 1. Measurement per dot.

**LED CHARACTERISTICS** Because LEDs are semiconductor devices, their performances are subject to inherent variability commonly found in semiconductor industry. To improve consistency in performance across the same product, LED manufacturers "sort" LEDs into bins according to different preset parameters, such as forward driving voltage, illumination, etc. Whereas binning is a sorting function, it is not a correction process. Inherent variability in the manufacturing process results always in different binning distributions according to different production lots. Traxon uses automatically binned LEDs on its products, thereby minimizing output variations within the model range.

As with all electronic devices, LED output degrades over time – a term called lumen depreciation. This also explains why it is nearly impossible to expect photometric performances of two LED products with different service life spans to be the same. The rate of LED degrade is a complicate function of many factors such as operating efficiency, duration of continuous operation, and more significantly, environmental conditions (ambient temperature for example). If allowed working under optimal operating temperature range and with good ventilation, LED devices enjoy long service lives over conventional light sources. When using/installing LED devices, care should be taken to ensure that the devices will operate within the operating conditions specified in respective product literature.

[www.traxontechnologies.com](http://www.traxontechnologies.com)

©2019 TRAXON TECHNOLOGIES - AN OSRAM BUSINESS. ALL RIGHTS RESERVED. TRAXON™, TX CONNECT®, ARE TRADEMARKS OF TRAXON TECHNOLOGIES. U.S. PATENTS, E.U. PATENTS, JAPAN PATENTS, OTHER PATENTS PENDING. SPECIFICATIONS ARE SUBJECT TO CHANGE WITHOUT NOTICE.

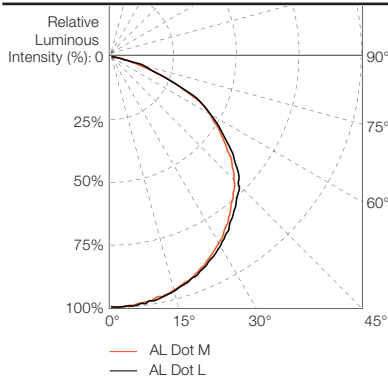
## Allegro Dot M WW (Clear Cover) Allegro Dot L WW (Clear Cover)

## Photometrics

### Source Specifications

<b>Source</b>	6 LEDs packaged in White (One AL Dot M)	8 LEDs packaged in White (One AL Dot L)
<b>Optics</b>	110° (Clear cover)	

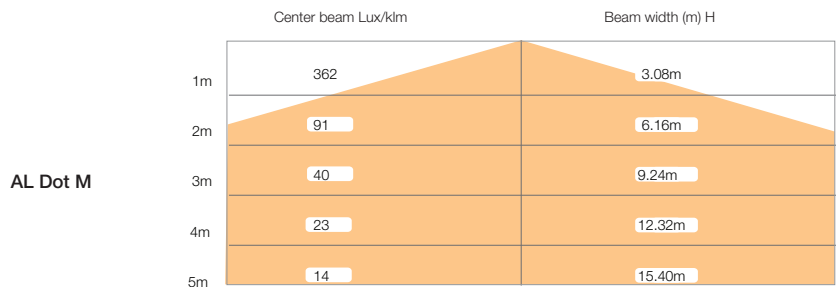
### Candela Distribution



### Light Output

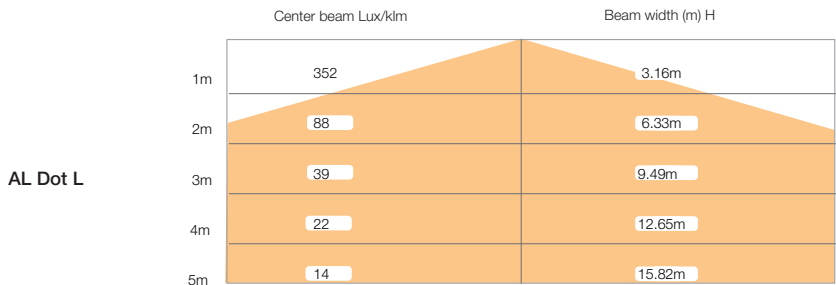
	Color	Luminous Flux (lm)	Candela Distribution at 100%	Efficacy (lm/W)
<b>AL Dot M</b>	White	177.78	64.39	92.59
<b>AL Dot L</b>	White	287.84	101.36	90.8

### Illuminance at a Distance



● Horiz. Spread: 114.0°  
For feet multiply by 3.28

For fc divide by 10.7  
IES and LDT files are available for download from the Traxon website.



● Horiz. Spread: 115.4°  
For feet multiply by 3.28

For fc divide by 10.7  
IES and LDT files are available for download from the Traxon website.

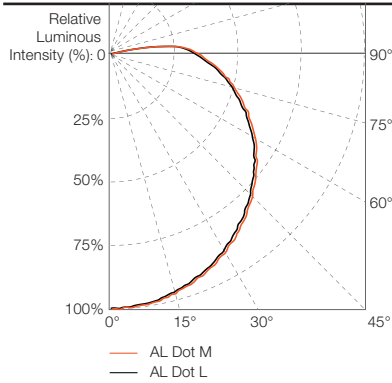
## Allegro Dot M WW (Diffuser Dome Cover) Allegro Dot L WW (Diffuser Dome Cover)

## Photometrics

### Source Specifications

<b>Source</b>	6 LEDs packaged in White (One AL Dot M)	8 LEDs packaged in White (One AL Dot L)
<b>Optics</b>	150° (Diffuser Dome cover)	

### Candela Distribution



### Light Output

	Color	Luminous Flux (lm)	Candela Distribution at 100%	Efficacy (lm/W)
<b>AL Dot M</b>	White	160	35.91	83.33
<b>AL Dot L</b>	White	259.06	58.15	81.72

### Illuminance at a Distance

	Center beam Lux/klm	Beam width (m) H
<b>AL Dot M</b>	1m	7.36m
	2m	14.72m
	3m	22.08m
	4m	29.44m
	5m	36.81m

For fc divide by 10.7  
IES and LDT files are available for download from the Traxon website.

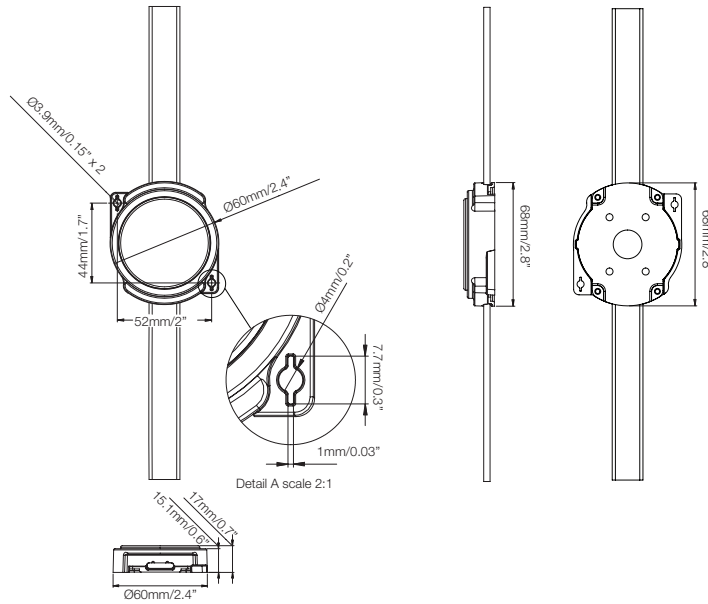
● Horiz.Spread: 149.6°  
For feet multiply by 3.28

	Center beam Lux/klm	Beam width (m) H
<b>AL Dot L</b>	1m	7.36m
	2m	14.72m
	3m	22.08m
	4m	29.44m
	5m	36.81m

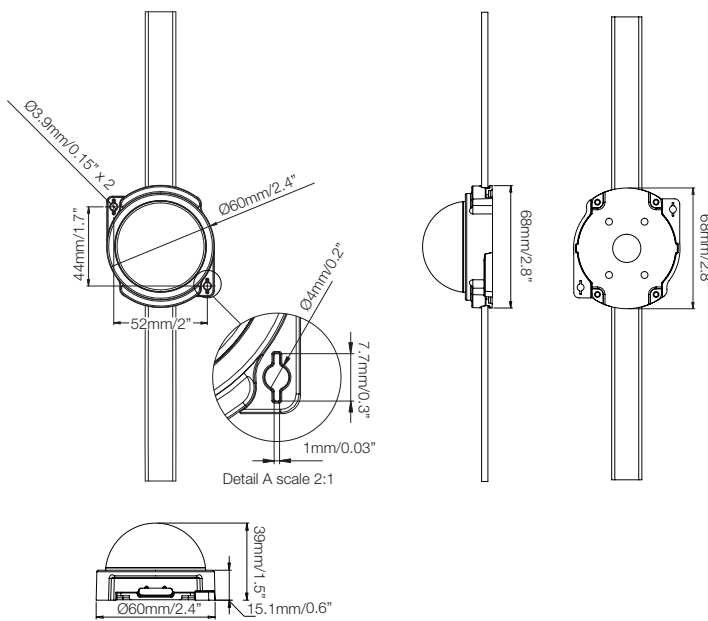
For fc divide by 10.7  
IES and LDT files are available for download from the Traxon website.

● Horiz.Spread: 149.6°  
For feet multiply by 3.28

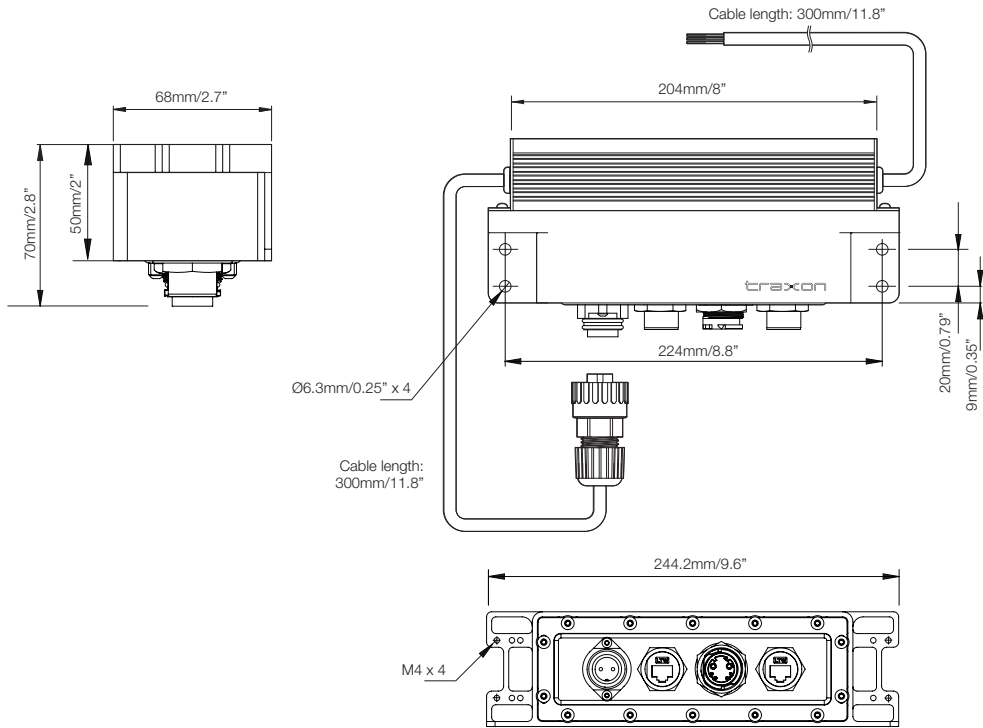
Dot M/ L Direct View



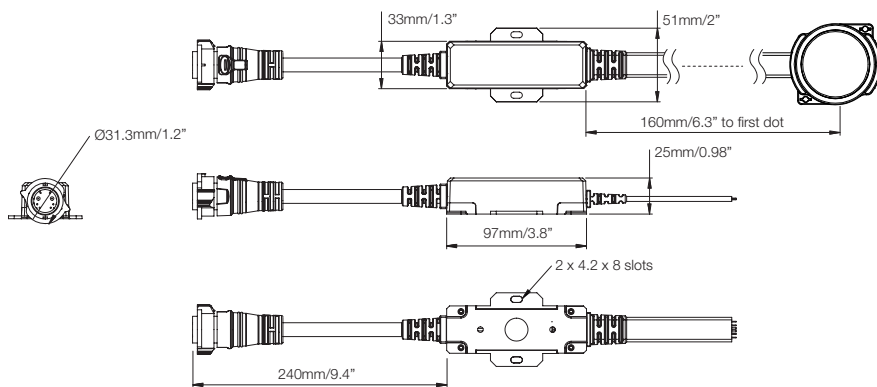
Dot M/ L Diffused View



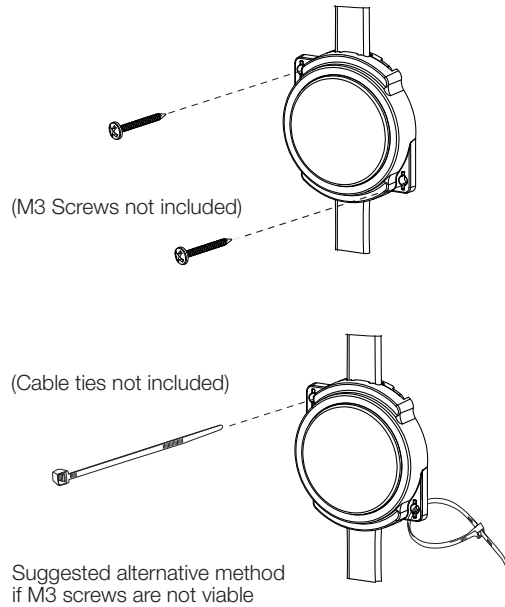
**Pixel Distributor with Power Supply (Outdoor 100W)**



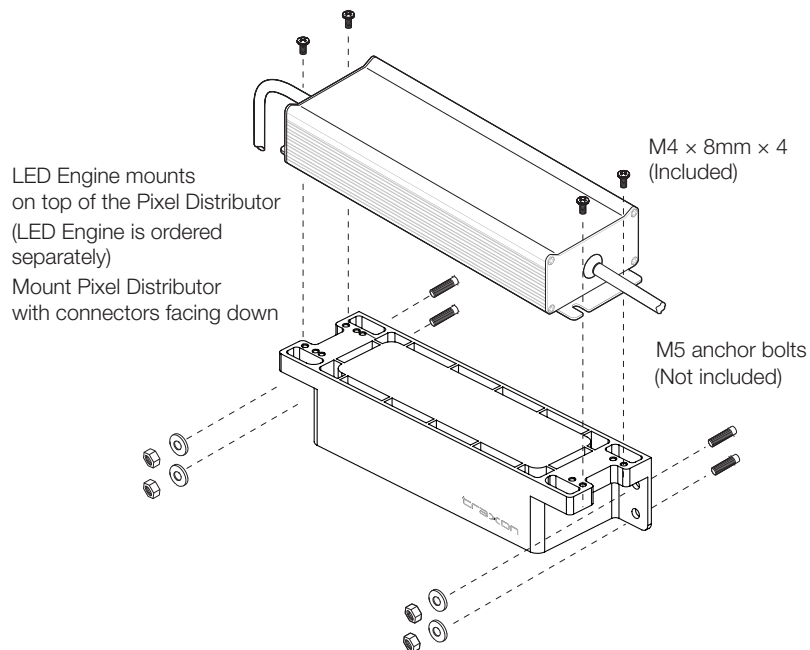
**Dot M/ L Smart Junction**



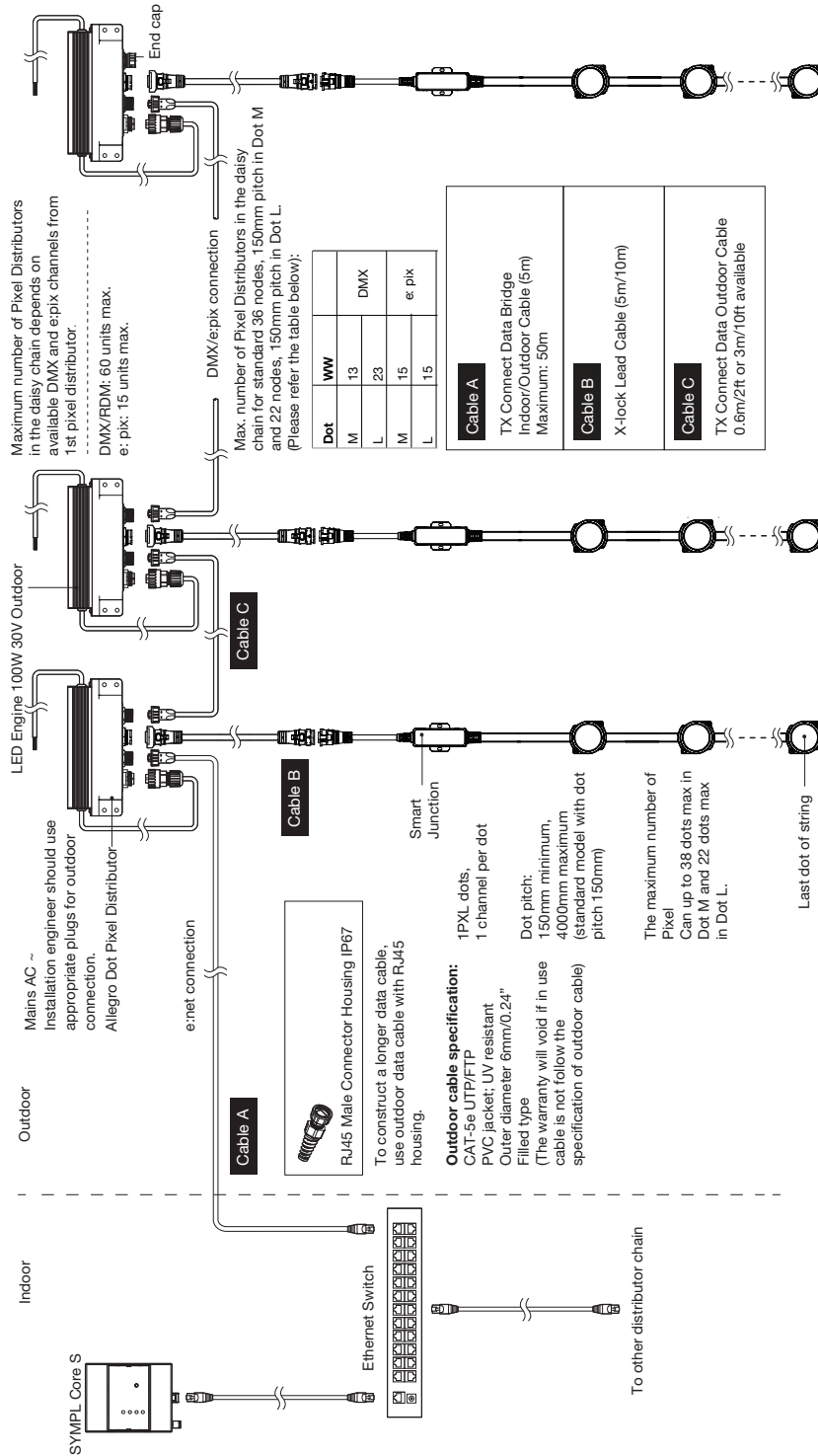
Dot M/ L



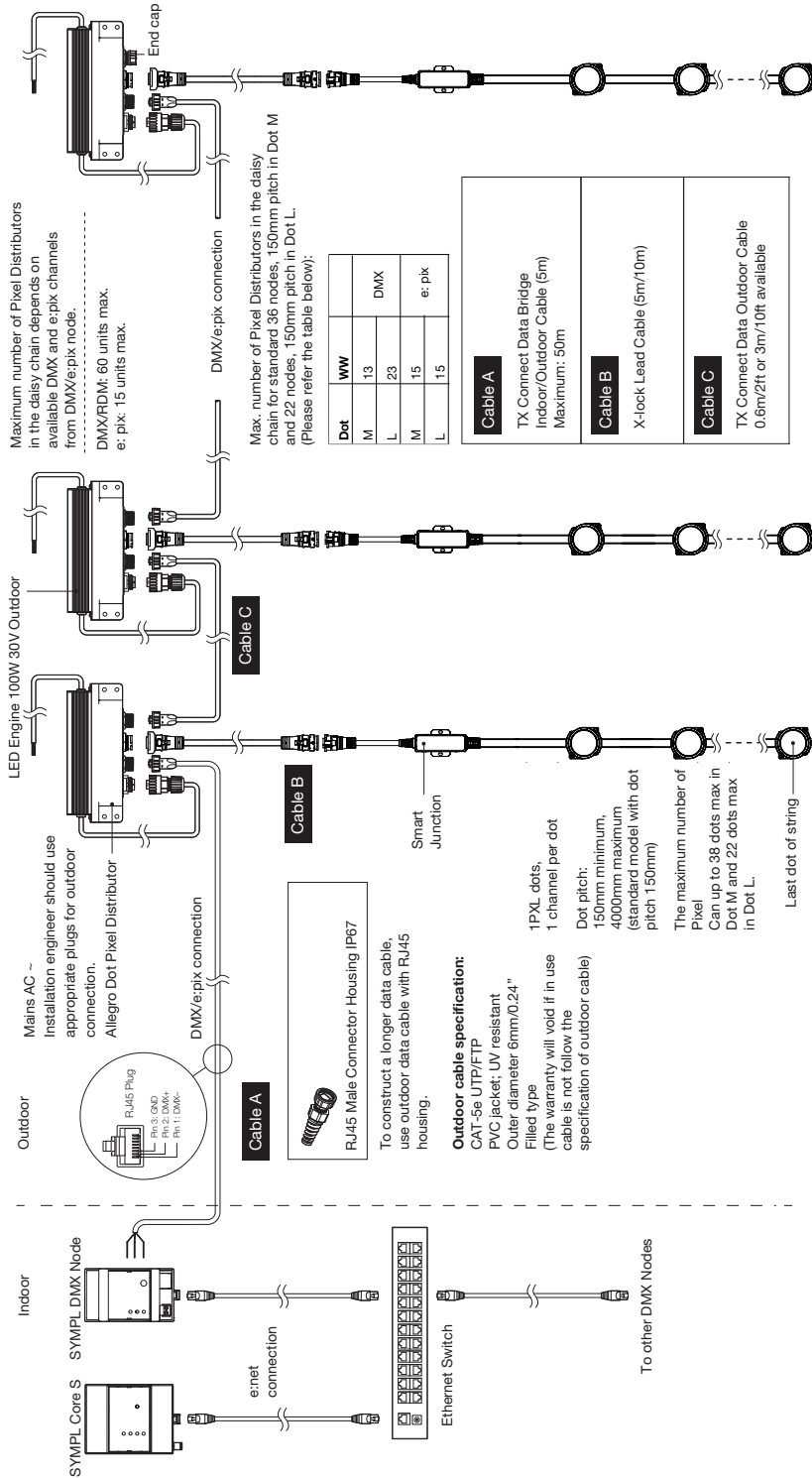
Pixel Distributor



### System Diagram—e:net connection



### System Diagram—DMX / e:pix connection







## Allegro Dot M WW Allegro Dot L WW

Ordering

### Fixtures

Model No.	Description	Item Code
DO.A2.4110020	AL DO M CR WW 36PPF 150P 0.5M WT	N/A
DO.A2.4210020	AL DO M DF WW 36PPF 150P 0.5M WT	N/A
DO.A2.4110030	AL DO M CR WW 36PPF 300P 0.5M WT	N/A
DO.A2.4210030	AL DO M DF WW 36PPF 300P 0.5M WT	N/A
DO.A3.4110020	AL DO L CR WW 22PPF 150P 0.5M WT	N/A
DO.A3.4210020	AL DO L DF WW 22PPF 150P 0.5M WT	N/A
DO.A3.4110030	AL DO L CR WW 22PPF 300P 0.5M WT	N/A
DO.A3.4210030	AL DO L DF WW 22PPF 300P 0.5M WT	N/A

### Standard Accessories

Model No.	Description	Item Code
DO.AD.0001020	ALLEGRO DOT PXL DISTRIBUTOR	AM278810055
DO.AC.0100300	X-LOCK LEAD CABLE 5M 14AWG VS15 TX	AM061830055
DO.AC.0100400	X-LOCK LEAD CABLE 10M 14AWG VS10 TX	AM061850055

### Optional Accessories

Model No.	Description	Item Code
N/A	AL DOT M/L FIELD CUT END CAP	AM355000055

### E:cue Control

Model No.	Description	Item Code
N/A	SYMPL Core S	AB447060035
N/A	SYMPL DMX Node	AB444180035
N/A	SYMPL e:pix Node	AB443930035
EN.BP.0000100	Butler Pro DMX/RDM	AA628600035
EN.BP.0000200	Butler Pro e:pix	AA628610035
EN.BU.0000001	Butler S2	AB436200031
AC.BG.0000001	Butler S2 Garage (Optional)	AA611800031

### TX Connect

Model No.	Description	Item Code
DE.AC.0000100	TX CONNECT Data Indoor/Outdoor Bridge Cable, 5m/16.4ft	AA508850055
DE.IC.0060000	TX CONNECT Data Outdoor Cable, 0.6m/1.97ft	AA664580055
DE.IC.0300000	TX CONNECT Data Outdoor Cable, 3m/9.84ft	AA438810055
DE.AC.0100000	RJ45 Male Connector Housing IP67	AA556100155

### TX Power

Model No.	Description	Item Code
N/A	LED ENG 100W 30V IP67 AL DO	AM019490055



©2019 TRAXON TECHNOLOGIES - AN OSRAM BUSINESS. ALL RIGHTS RESERVED. TRAXON™, TX CONNECT®, ARE TRADEMARKS OF TRAXON TECHNOLOGIES. U.S. PATENTS, E.U. PATENTS, JAPAN PATENTS, OTHER PATENTS PENDING. SPECIFICATIONS ARE SUBJECT TO CHANGE WITHOUT NOTICE.