

Project: _____
 Type: _____

ARCHISHAPE® Media Tube Mono



ARCHISHAPE® Media Tube runs on 24V power supply, and fits into any wall, façade or media lighting application with tight installation requirements, while the wide beam angle output ensures a smooth illumination experience. This product greatly simplifies the lighting installation for building façades, media applications, bridges and more.



Product Specifications

	3000K Diffused View			6500K Diffused View		
	300mm	500mm	1000mm	300mm	500mm	1000mm
Light Source	18 3000K White	30 3000K White	60 3000K White	18 6500K White	30 6500K White	60 6500K White
Color Range	White CCT 3000K / 6500K					
Beam Angle	110°x170°					
Luminous Flux	197 lm	329 lm	658 lm	210 lm	350 lm	700 lm
Efficacy	47 lm/W			50 lm/W		
Housing	Extruded Aluminum					
Cover Lens	PC					
Adjustment Options	Adjustable					
Dimensions (W x H)	23.5x37mm (without bracket)					
Dimensions (L)	300mm	500mm	1000mm	300mm	500mm	1000mm
Weight	0.35kg	0.52kg	0.85kg	0.35kg	0.52kg	0.85kg
Regulatory Listing & Safety Approval	CE					
Operating Temperature	-30°C to +50°C / -22°F to +122°F					
Storage Temperature	-40°C to +70°C / -40°F to +158°F					
Environment	Outdoor, IP66, IK08					
Humidity	10-90%, non-condensing					

Electrical Specifications

Operating Voltage	24V DC
Power Consumption	4.2W / 7W / 14W

System Specifications

Control	ON / OFF
Power Supply	LED Engine 24V Outdoor

LED CHARACTERISTICS Because LEDs are semiconductor devices, their performances are subject to inherent variability commonly found in semiconductor industry. To improve consistency in performance across the same product, LED manufacturers "sort" LEDs into bins according to different preset parameters, such as forward driving voltage, illumination, etc. Whereas binning is a sorting function, it is not a correction process. Inherent variability in the manufacturing process results always in different binning distributions according to different production lots. Traxon uses automatically binned LEDs on its products, thereby minimizing output variations within the model range.

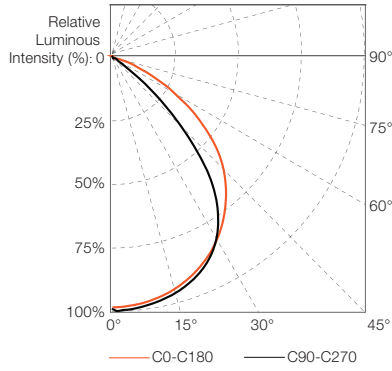
As with all electronic devices, LED output degrades over time – a term called lumen depreciation. This also explains why it is nearly impossible to expect photometric performances of two LED products with different service life spans to be the same. The rate of LED degrade is a complicate function of many factors such as operating efficiency, duration of continuous operation, and more significantly, environmental conditions (ambient temperature for example). If allowed working under optimal operating temperature range and with good ventilation, LED devices enjoy long service lives over conventional light sources. When using/installing LED devices, care should be taken to ensure that the devices will operate within the operating conditions specified in respective product literature.

This product contains a light source of energy efficiency class G to Regulation (EU) No 2019/2015. Lumen measurement complies with LM-79-05 standard. Lumen maintenance is calculated based on LM-80 compliant measurement.

www.traxontechnologies.com

©2021 TRAXON TECHNOLOGIES - AN OSRAM BUSINESS. ALL RIGHTS RESERVED. TRAXON™, TX CONNECT®, ARE TRADEMARKS OF TRAXON TECHNOLOGIES. U.S. PATENTS, E.U. PATENTS, JAPAN PATENTS, OTHER PATENTS PENDING. SPECIFICATIONS ARE SUBJECT TO CHANGE WITHOUT NOTICE.

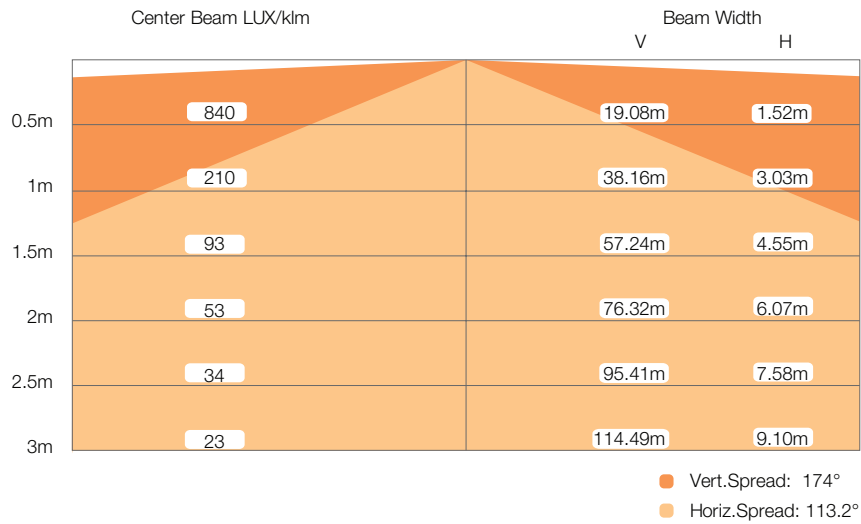
Candela Distribution (3000K Diffused View)



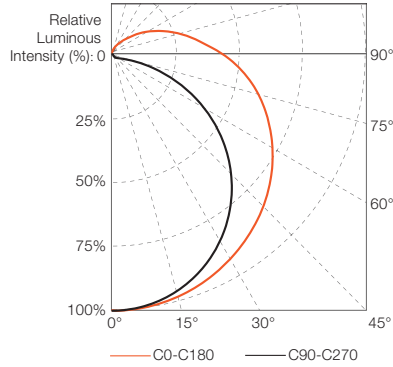
Light Output

Color	Luminous Flux (lm)
300	
3000K	197.4 lm
500	
3000K	329 lm
1000	
3000K	658 lm

Illuminance at a Distance



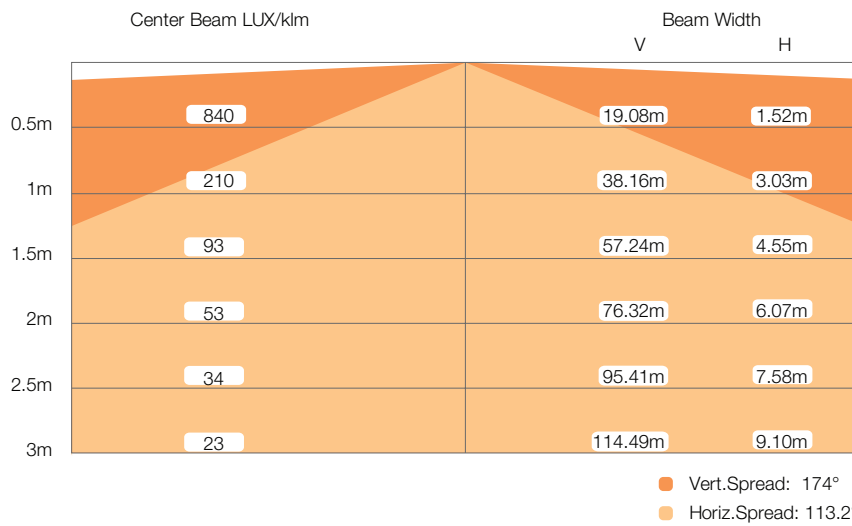
Candela Distribution (6500K Diffused View)



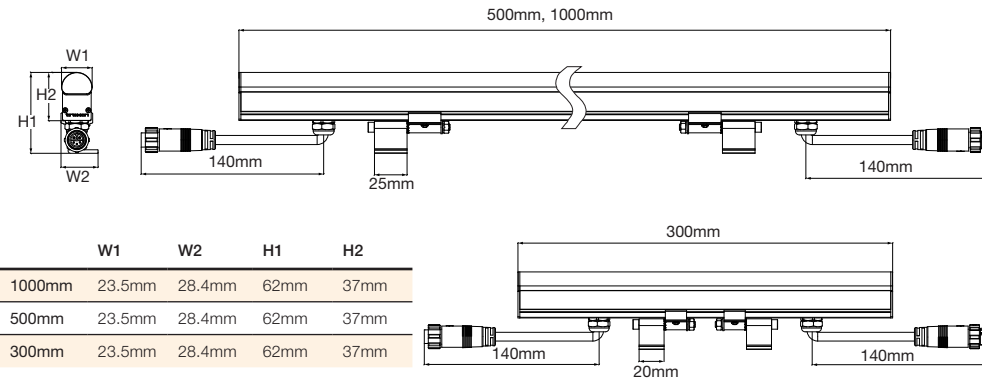
Light Output

Color	Luminous Flux (lm)
300	
6500K	210 lm
500	
6500K	350 lm
1000	
6500K	700 lm

Illuminance at a Distance

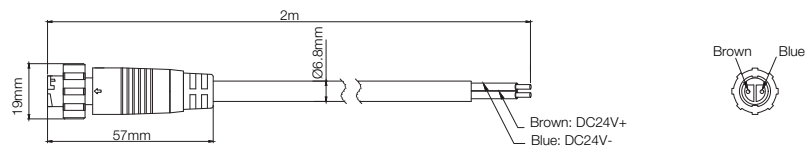


Fixture Dimensions

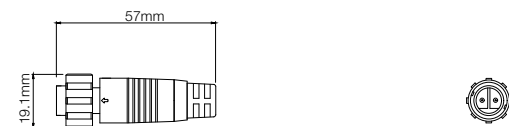


Accessories Dimensions

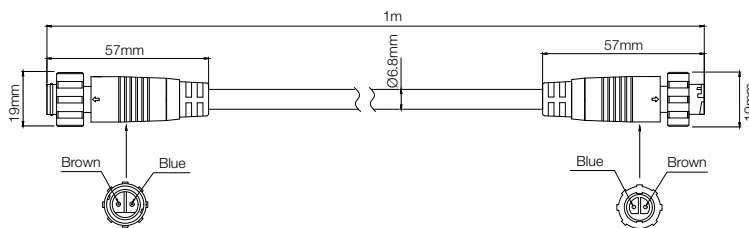
Starter Cable, 2-wire, 2m (AM437930055)



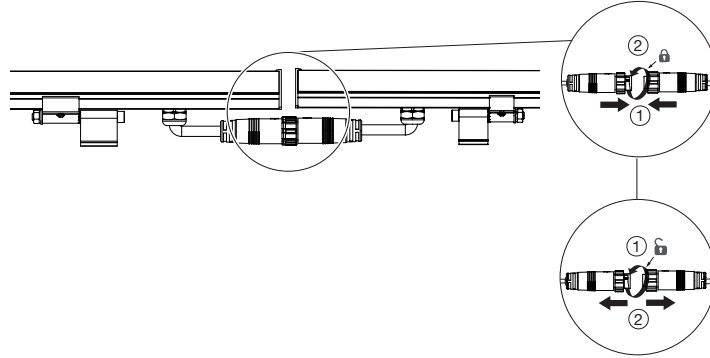
End Cap for ON/OFF (AM437940055)



Inter cable, 2-wire, 1m (AM437950055)

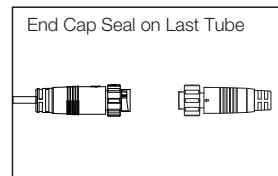
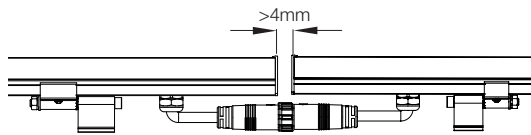


Cable Connection

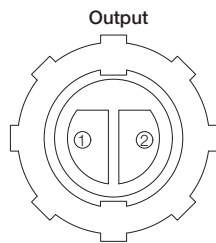




Tube-to-Tube Clearance

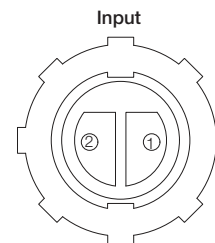
To maintain consistent LED pitch and to allow for thermal expansion for Tubes.



Connector Pin Assignment

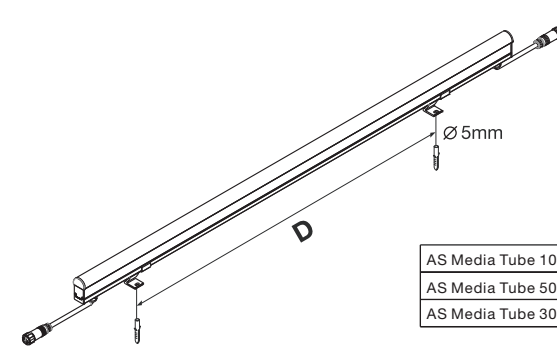


Wire#	Description	Color
1	DC24V+	Brown 
2	DC24V-	Blue 



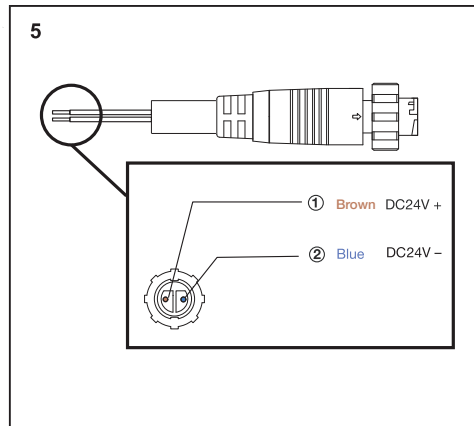
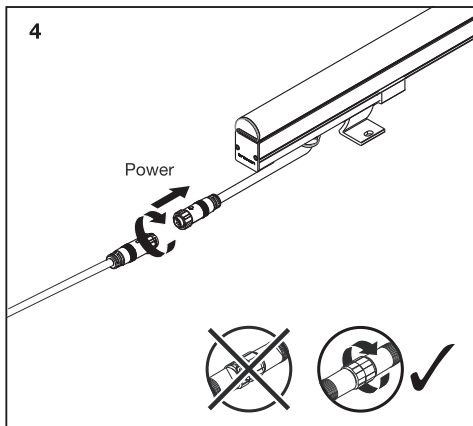
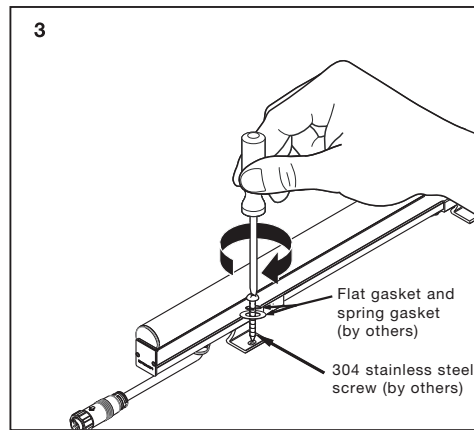
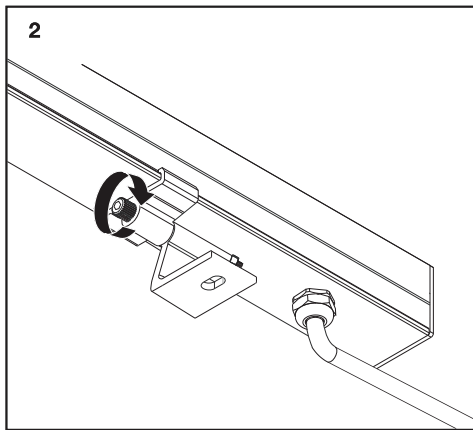
Bracket Mounting

1

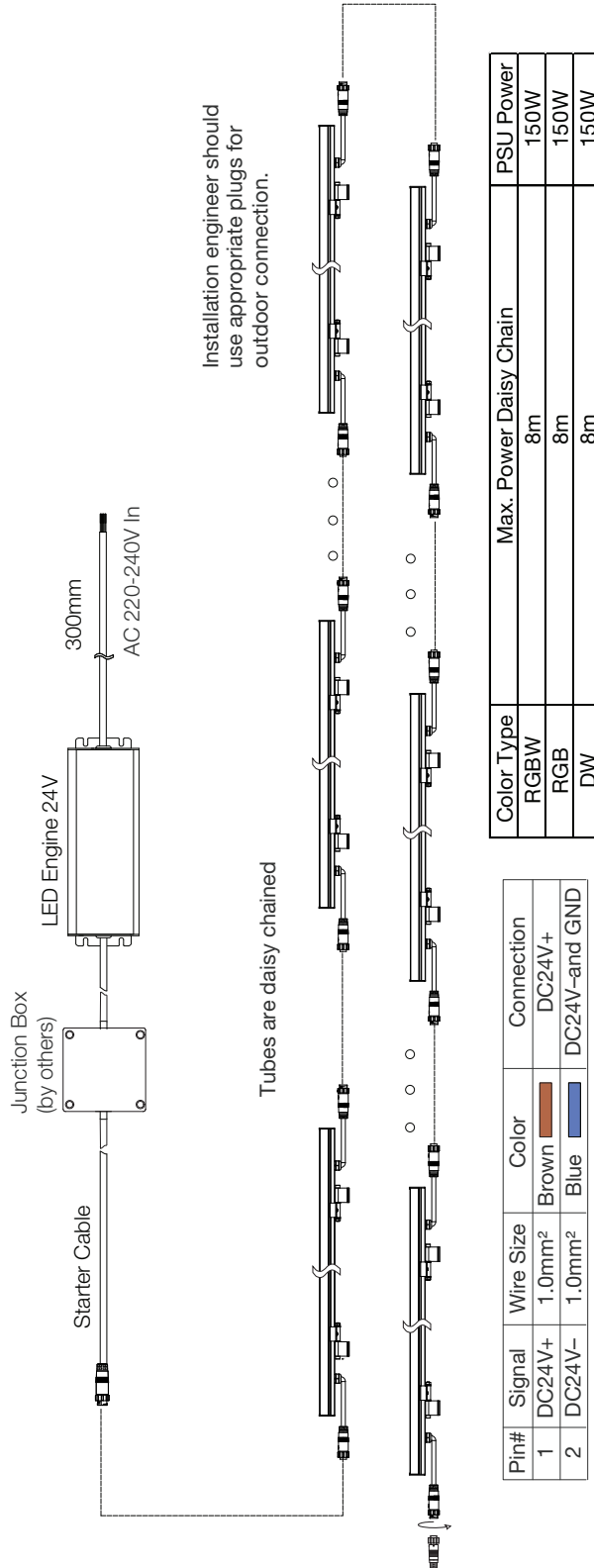


Ø 5mm

	D (mm)	
	Min	Max
AS Media Tube 1000	650	750
AS Media Tube 500	200	250
AS Media Tube 300	60	75



System Diagram



The Address wire only need to be connected during address configuration, it is not needed during operation. This wiring diagram shows only typical connections. Actual wiring depends on LED Tube configuration and installation. Actual no. vary according to cable lengths and signal source. Please consult your local Traxon office for aid.

Fixtures

Model No.	Description	Item Code
TU.AT.3600100	AS MEDIA TUBE 830 1000 ONOFF DF R	AM436070055
TU.AT.2600100	AS MEDIA TUBE 830 500 ONOFF DF R	AM436080055
TU.AT.1600100	AS MEDIA TUBE 830 300 ONOFF DF R	AM436090055
TU.AT.3900100	AS MEDIA TUBE 865 1000 ONOFF DF R	AM436100055
TU.AT.2900100	AS MEDIA TUBE 865 500 ONOFF DF R	AM436110055
TU.AT.1900100	AS MEDIA TUBE 865 300 ONOFF DF R	AM436120055

TX Connect

Model No.	Description	Item Code
TU.AC.1401100	AS MT STARTER CABLE, 2-WIRE, 2M	AM437930055
TU.AC.1401200	AS MT END CAP FOR ON/OFF	AM437940055
TU.AC.1401300	AS MT INTER CABLE, 2-WIRE, 1M	AM437950055

TX Control

Model No.	Description	Item Code
N/A	LED ENGINE 100W 24V OUTDOOR	AM175860055
N/A	LED ENGINE 185W 24V OUTDOOR	AM175880055
N/A	LED ENGINE 320W 24V OUTDOOR	AM175900055

Our Brands

traxon **etcue**
www.traxontechnologies.com

OSRAM

©2021 TRAXON TECHNOLOGIES - AN OSRAM BUSINESS. ALL RIGHTS RESERVED. TRAXON™, TX CONNECT®, ARE TRADEMARKS OF TRAXON TECHNOLOGIES. U.S. PATENTS, E.U. PATENTS, JAPAN PATENTS, OTHER PATENTS PENDING. SPECIFICATIONS ARE SUBJECT TO CHANGE WITHOUT NOTICE.