

LED COMFO® Multi-head Datasheet



LED COMFO® Multi-head series is a cost-effective LED replacement for traditional multiple-head spot light. The series is available up to three heads with multiple power options and beam angles for different application requirements. Thanks to its adjustable structure, multiple objects can be illuminated from different directions. LED COMFO® Multi-head series offers good glare control with multiple beam angles and is the ideal choice for demanding accent lighting with a limited budget.

Benefits

Flexible product options

- 15° / 24° / 40° beam angle options
- 1 / 2 / 3 heads
- 30° vertical adjustable, 180° horizontal adjustable

Reliability and easy installation

- Individual driver for each module and failure of single module won't affect others
- Die-casting housing
- Rimless design for easy installation

Quality light and energy saving

- Best-in-class COB platform provides consistent and even color and brightness
- More than 50% energy saving compared to traditional multi-head spot light
- Concave stepping cover design to provide good glare control

Applications

- Merchandise displays
- Commercial buildings
- Retail stores
- Shopping malls
- Lobbies and corridors
- Households

LED COMFO® Multi-head

Technical Data

Optical Specifications

| | | 9W × 1 | 9W × 2 | 9W × 3 | 18W × 1 | 18W × 2 | 30W × 1 | 30W × 2 |
|---------------|-----------------|---------------------|---------|---------|---------|---------|---------|---------|
| Luminous Flux | 3000K | 631 lm | 1267 lm | 1787 lm | 1421 lm | 2657 lm | 2310 lm | 4477 lm |
| | 4000K | 675 lm | 1355 lm | 1911 lm | 1513 lm | 2830 lm | 2460 lm | 4768 lm |
| | 5700K | 719 lm | 1443 lm | 2035 lm | 1612 lm | 3014 lm | 2620 lm | 5078 lm |
| Efficacy | 3000K | 70 lm/W | 70 lm/W | 66 lm/W | 79 lm/W | 74 lm/W | 77 lm/W | 75 lm/W |
| | 4000K | 75 lm/W | 75 lm/W | 71 lm/W | 84 lm/W | 79 lm/W | 82 lm/W | 79 lm/W |
| | 5700K | 80 lm/W | 80 lm/W | 75 lm/W | 90 lm/W | 84 lm/W | 87 lm/W | 85 lm/W |
| CCT | | 3000K, 4000K, 5700K | | | | | | |
| CRI | | 80 | | | | | | |
| SDCM | 3000K, 4000K | 3 | | | | | | |
| Beam Angle | | 15°, 24°, 40° | | | | | | |

Electrical and Mechanical Specifications

| | | | | | | | | |
|-------------------|--------------------------------------|--------|--------|-------|--------|------------------|-------|-------|
| Input Voltage | 220-240V AC 50/60Hz | | | | | | | |
| Power Consumption | 9W | 18W | 27W | 18W | 36W | 30W | 60W | |
| Power Factor | 0.95 | | | | | | | |
| Surge Protection | Line-to-line 0.5KV | | | | | Line-to-line 1KV | | |
| Dimensions | Length | 113mm | 216mm | 300mm | 141mm | 273mm | 171mm | 323mm |
| | Width | 113mm | 113mm | 113mm | 141mm | 141mm | 171mm | 171mm |
| | Height | 82mm | 82mm | 82mm | 98mm | 98mm | 122mm | 122mm |
| Weight | 0.4kg | 0.76kg | 1.08kg | 0.6kg | 1.12kg | 0.89kg | 1.7kg | |
| Cover Lens | PC reflector and aluminium plating | | | | | | | |
| Housing | Die-casting aluminium housing, black | | | | | | | |

System Specifications

| | | | | | | | | |
|----------------------------|---|-------|-------|-------|-------|-------|-------|-------|
| Power | AC line | | | | | | | |
| Dimmable | ON/OFF only | | | | | | | |
| Installation | Recessed mounting | | | | | | | |
| Mounting Hole | Length | 104mm | 200mm | 285mm | 131mm | 260mm | 163mm | 310mm |
| | Width | 104mm | 104mm | 104mm | 131mm | 131mm | 163mm | 163mm |
| Suitable Ceiling Thickness | 2-20mm | | | | | | | |
| Operating Temperature | -20°C to +40°C | | | | | | | |
| Storage Temperature | -30°C to +80°C | | | | | | | |
| Environment | Indoor (IP20) | | | | | | | |
| Lumen Maintenance | L70 @25°C - 25,000hrs | | | | | | | |
| Safety Approval | Electrical Protection Class II, CB, CCC, RoHS | | | | | | | |

Due to the special conditions of manufacturing process of LED, the typical data of technical parameters can only reflect statistical figures and do not necessarily correspond to the actual parameters of each single product which could differ from typical data.

Exceeding maximum ratings for operation voltage will cause hazardous overload and will likely destroy the LED module.

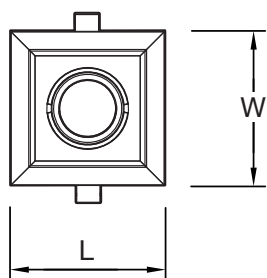
Exceeding maximum ratings for operation and storage temperature will reduce expected life time or destroy the LED module.

12/16 V1.1 · Specifications are subject to change without notice. Errors and omission excepted, always make sure to use the most recent release.

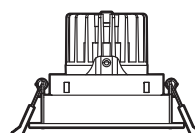
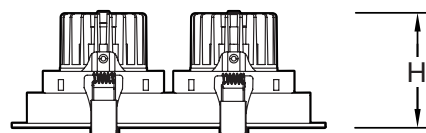
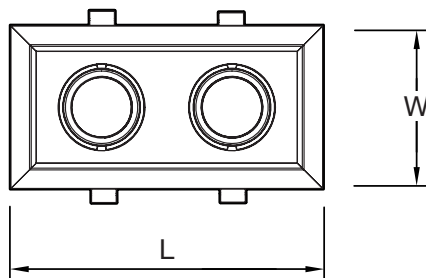
LED COMFO® Multi-head

Dimensions

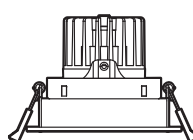
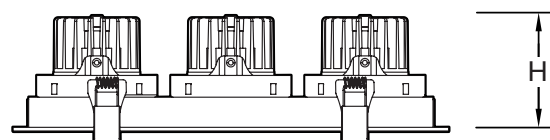
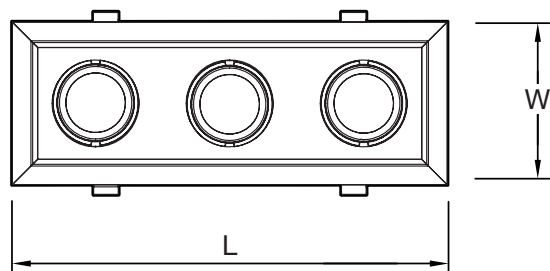
9W × 1



9W × 2



9W × 3



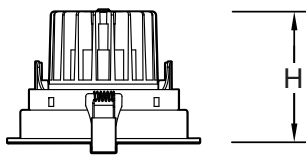
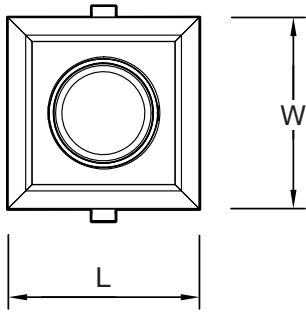
Dimensions

| | 9W × 1 | 9W × 2 | 9W × 3 |
|---|--------|--------|--------|
| L | 113mm | 216mm | 300mm |
| W | 113mm | 113mm | 113mm |
| H | 82mm | 82mm | 82mm |

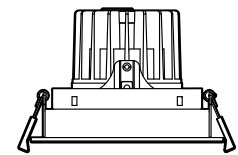
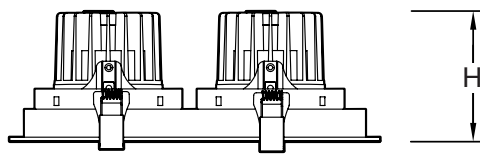
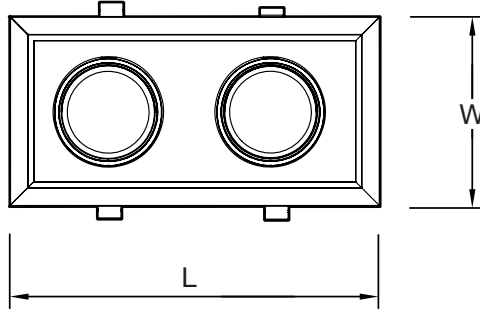
LED COMFO® Multi-head

Dimensions

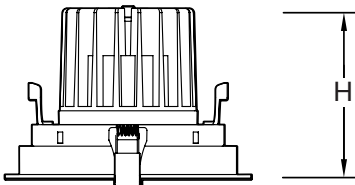
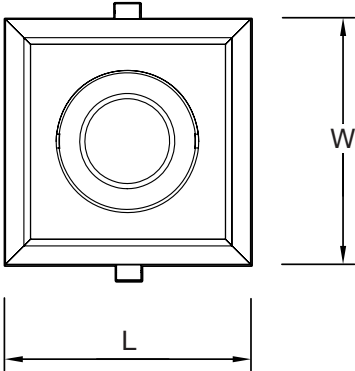
18W × 1



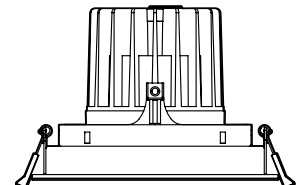
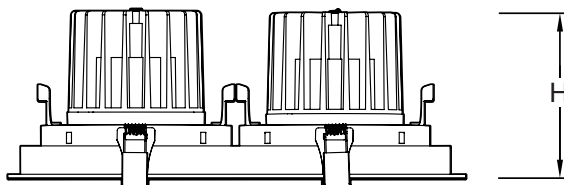
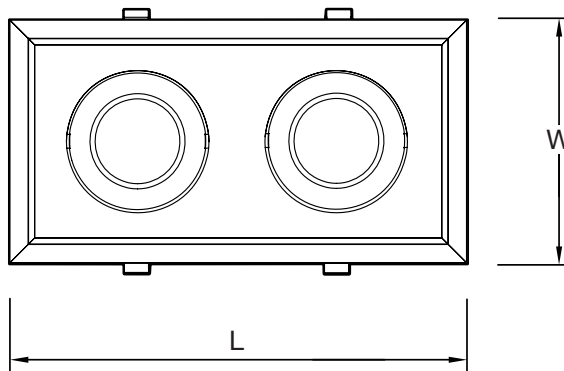
18W × 2



30W × 1



30W × 2

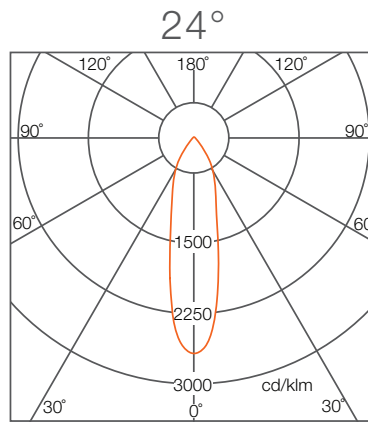
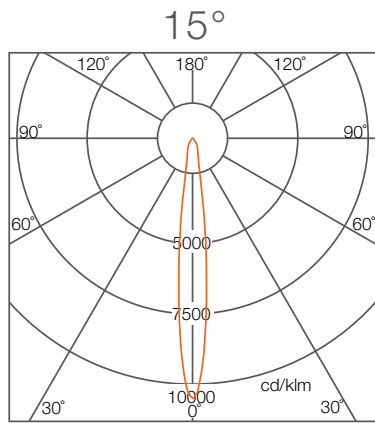


Dimensions

| | 18W × 1 | 18W × 2 | 30W × 1 | 30W × 2 |
|----------|---------|---------|---------|---------|
| L | 141mm | 273mm | 171mm | 323mm |
| W | 141mm | 141mm | 171mm | 171mm |
| H | 98mm | 98mm | 122mm | 122mm |

LED COMFO® Multi-head

Photometrics Light Distribution Curve



Illuminance at a distance

| | Center Beam Lux/klm | Beam Width |
|------|---------------------|------------|
| 0.5m | 41473 | 0.11m |
| 1m | 10368 | 0.21m |
| 1.5m | 4608 | 0.32m |
| 2m | 2592 | 0.42m |
| 2.5m | 1659 | 0.53m |
| 3m | 1152 | 0.63m |

For feet multiply by 3.28

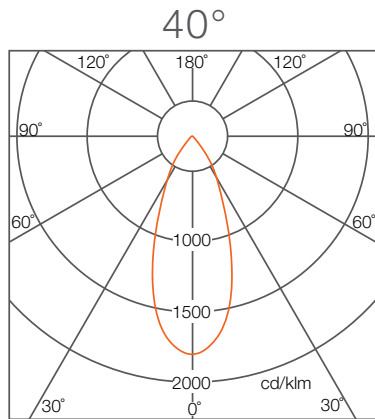
● Spread: 12°
For fc divide by 10.7

| | Center Beam Lux/klm | Beam Width |
|------|---------------------|------------|
| 0.5m | 10524 | 0.23m |
| 1m | 2631 | 0.45m |
| 1.5m | 1169 | 0.68m |
| 2m | 658 | 0.91m |
| 2.5m | 421 | 1.14m |
| 3m | 292 | 1.36m |

For feet multiply by 3.28

● Spread: 25.6°
For fc divide by 10.7

Light Distribution Curve



Illuminance at a distance

| | Center Beam Lux/klm | Beam Width |
|------|---------------------|------------|
| 0.5m | 7234 | 0.36m |
| 1m | 1809 | 0.73m |
| 1.5m | 804 | 1.09m |
| 2m | 452 | 1.46m |
| 2.5m | 289 | 1.82m |
| 3m | 201 | 2.18m |

For feet multiply by 3.28

● Spread: 40°
For fc divide by 10.7

Due to the manufacturing processes of LED, the polar candela distribution and distance luminaries only reflect statistical figures and do not necessarily correspond to the actual parameters of individual product that may differ from the typical values.

12/16 V1.1 · Specifications are subject to change without notice. Errors and omission excepted, always make sure to use the most recent release.

©2016 OSRAM GmbH · All rights reserved · Internet www.lightingsolutions.osram.com/asia

LEDCOMFO® Multi-head

Ordering Codes

Fixture (9W × 1, 9W × 2, 9W × 3)

| Short Text | Type | CCT | Beam Angle | Material | EAN10 | EAN40 |
|---|------|-------|------------|-------------|---------------|---------------|
| LEDCOMFO Multi-head 1*9W 830 15D 24X1 OSRAM | 9W×1 | 3000K | 15° | AM039320055 | 4052899483057 | 4052899483064 |
| LEDCOMFO Multi-head 1*9W 840 15D 24X1 OSRAM | 9W×1 | 4000K | 15° | AM039330055 | 4052899483071 | 4052899483088 |
| LEDCOMFO Multi-head 1*9W 857 15D 24X1 OSRAM | 9W×1 | 5700K | 15° | AM039340055 | 4052899483095 | 4052899483101 |
| LEDCOMFO Multi-head 1*9W 830 24D 24X1 OSRAM | 9W×1 | 3000K | 24° | AM039350055 | 4052899483118 | 4052899483125 |
| LEDCOMFO Multi-head 1*9W 840 24D 24X1 OSRAM | 9W×1 | 4000K | 24° | AM039360055 | 4052899483132 | 4052899483149 |
| LEDCOMFO Multi-head 1*9W 857 24D 24X1 OSRAM | 9W×1 | 5700K | 24° | AM039370055 | 4052899483156 | 4052899483163 |
| LEDCOMFO Multi-head 1*9W 830 40D 24X1 OSRAM | 9W×1 | 3000K | 40° | AM039380055 | 4052899483170 | 4052899483187 |
| LEDCOMFO Multi-head 1*9W 840 40D 24X1 OSRAM | 9W×1 | 4000K | 40° | AM039390055 | 4052899483194 | 4052899483200 |
| LEDCOMFO Multi-head 1*9W 857 40D 24X1 OSRAM | 9W×1 | 5700K | 40° | AM039400055 | 4052899483217 | 4052899483224 |
| LEDCOMFO Multi-head 2*9W 830 15D 12X1 OSRAM | 9W×2 | 3000K | 15° | AM039410055 | 4052899483231 | 4052899483248 |
| LEDCOMFO Multi-head 2*9W 840 15D 12X1 OSRAM | 9W×2 | 4000K | 15° | AM039420055 | 4052899483255 | 4052899483262 |
| LEDCOMFO Multi-head 2*9W 857 15D 12X1 OSRAM | 9W×2 | 5700K | 15° | AM039430055 | 4052899483279 | 4052899483286 |
| LEDCOMFO Multi-head 2*9W 830 24D 12X1 OSRAM | 9W×2 | 3000K | 24° | AM039440055 | 4052899483293 | 4052899483309 |
| LEDCOMFO Multi-head 2*9W 840 24D 12X1 OSRAM | 9W×2 | 4000K | 24° | AM039450055 | 4052899483316 | 4052899483323 |
| LEDCOMFO Multi-head 2*9W 857 24D 12X1 OSRAM | 9W×2 | 5700K | 24° | AM039460055 | 4052899483330 | 4052899483347 |
| LEDCOMFO Multi-head 2*9W 830 40D 12X1 OSRAM | 9W×2 | 3000K | 40° | AM039470055 | 4052899483354 | 4052899483361 |
| LEDCOMFO Multi-head 2*9W 840 40D 12X1 OSRAM | 9W×2 | 4000K | 40° | AM039480055 | 4052899483378 | 4052899483385 |
| LEDCOMFO Multi-head 2*9W 857 40D 12X1 OSRAM | 9W×2 | 5700K | 40° | AM039490055 | 4052899483392 | 4052899483408 |
| LEDCOMFO Multi-head 3*9W 830 15D 6X1 OSRAM | 9W×3 | 3000K | 15° | AM039500055 | 4052899483415 | 4052899483422 |
| LEDCOMFO Multi-head 3*9W 840 15D 6X1 OSRAM | 9W×3 | 4000K | 15° | AM039510055 | 4052899483439 | 4052899483446 |
| LEDCOMFO Multi-head 3*9W 857 15D 6X1 OSRAM | 9W×3 | 5700K | 15° | AM039520055 | 4052899483453 | 4052899483460 |
| LEDCOMFO Multi-head 3*9W 830 24D 6X1 OSRAM | 9W×3 | 3000K | 24° | AM039530055 | 4052899483477 | 4052899483484 |
| LEDCOMFO Multi-head 3*9W 840 24D 6X1 OSRAM | 9W×3 | 4000K | 24° | AM039540055 | 4052899483491 | 4052899483507 |
| LEDCOMFO Multi-head 3*9W 857 24D 6X1 OSRAM | 9W×3 | 5700K | 24° | AM039550055 | 4052899483514 | 4052899483521 |
| LEDCOMFO Multi-head 3*9W 830 40D 6X1 OSRAM | 9W×3 | 3000K | 40° | AM039560055 | 4052899483538 | 4052899483545 |
| LEDCOMFO Multi-head 3*9W 840 40D 6X1 OSRAM | 9W×3 | 4000K | 40° | AM039570055 | 4052899483842 | 4052899483859 |
| LEDCOMFO Multi-head 3*9W 857 40D 6X1 OSRAM | 9W×3 | 5700K | 40° | AM039580055 | 4052899483866 | 4052899483873 |

LED COMFO® Multi-head

Ordering Codes

Fixture (18W × 1, 18W × 2)

| Short Text | Type | CCT | Beam Angle | Material | EAN10 | EAN40 |
|---|-------|-------|------------|-------------|---------------|---------------|
| LED COMFO Multi-head 1*18W 830 15D 18X1 OSRAM | 18W×1 | 3000K | 15° | AM039590055 | 4052899483897 | 4052899483903 |
| LED COMFO Multi-head 1*18W 840 15D 18X1 OSRAM | 18W×1 | 4000K | 15° | AM039600055 | 4052899483910 | 4052899483927 |
| LED COMFO Multi-head 1*18W 857 15D 18X1 OSRAM | 18W×1 | 5700K | 15° | AM039610055 | 4052899483934 | 4052899483941 |
| LED COMFO Multi-head 1*18W 830 24D 18X1 OSRAM | 18W×1 | 3000K | 24° | AM039620055 | 4052899483958 | 4052899483965 |
| LED COMFO Multi-head 1*18W 840 24D 18X1 OSRAM | 18W×1 | 4000K | 24° | AM039630055 | 4052899483972 | 4052899483989 |
| LED COMFO Multi-head 1*18W 857 24D 18X1 OSRAM | 18W×1 | 5700K | 24° | AM039640055 | 4052899483996 | 4052899484009 |
| LED COMFO Multi-head 1*18W 830 40D 18X1 OSRAM | 18W×1 | 3000K | 40° | AM039650055 | 4052899484016 | 4052899484023 |
| LED COMFO Multi-head 1*18W 840 40D 18X1 OSRAM | 18W×1 | 4000K | 40° | AM039660055 | 4052899484030 | 4052899484047 |
| LED COMFO Multi-head 1*18W 857 40D 18X1 OSRAM | 18W×1 | 5700K | 40° | AM039670055 | 4052899484054 | 4052899484061 |
| LED COMFO Multi-head 2*18W 830 15D 6X1 OSRAM | 18W×2 | 3000K | 15° | AM039680055 | 4052899484078 | 4052899484085 |
| LED COMFO Multi-head 2*18W 840 15D 6X1 OSRAM | 18W×2 | 4000K | 15° | AM039690055 | 4052899484092 | 4052899484108 |
| LED COMFO Multi-head 2*18W 857 15D 6X1 OSRAM | 18W×2 | 5700K | 15° | AM039700055 | 4052899484115 | 4052899484122 |
| LED COMFO Multi-head 2*18W 830 24D 6X1 OSRAM | 18W×2 | 3000K | 24° | AM039710055 | 4052899484139 | 4052899484146 |
| LED COMFO Multi-head 2*18W 840 24D 6X1 OSRAM | 18W×2 | 4000K | 24° | AM039720055 | 4052899484153 | 4052899484160 |
| LED COMFO Multi-head 2*18W 857 24D 6X1 OSRAM | 18W×2 | 5700K | 24° | AM039730055 | 4052899484177 | 4052899484184 |
| LED COMFO Multi-head 2*18W 830 40D 6X1 OSRAM | 18W×2 | 3000K | 40° | AM039740055 | 4052899484191 | 4052899484207 |
| LED COMFO Multi-head 2*18W 840 40D 6X1 OSRAM | 18W×2 | 4000K | 40° | AM039750055 | 4052899484214 | 4052899484221 |
| LED COMFO Multi-head 2*18W 857 40D 6X1 OSRAM | 18W×2 | 5700K | 40° | AM039760055 | 4052899484238 | 4052899484245 |

Fixture (30W × 1, 30W × 2)

| Short Text | Type | CCT | Beam Angle | Material | EAN10 | EAN40 |
|---|-------|-------|------------|-------------|---------------|---------------|
| LED COMFO Multi-head 1*30W 830 15D 12X1 OSRAM | 30W×1 | 3000K | 15° | AM039770055 | 4052899484252 | 4052899484269 |
| LED COMFO Multi-head 1*30W 840 15D 12X1 OSRAM | 30W×1 | 4000K | 15° | AM039780055 | 4052899484276 | 4052899484283 |
| LED COMFO Multi-head 1*30W 857 15D 12X1 OSRAM | 30W×1 | 5700K | 15° | AM039790055 | 4052899484290 | 4052899484306 |
| LED COMFO Multi-head 1*30W 830 24D 12X1 OSRAM | 30W×1 | 3000K | 24° | AM039800055 | 4052899484313 | 4052899484320 |
| LED COMFO Multi-head 1*30W 840 24D 12X1 OSRAM | 30W×1 | 4000K | 24° | AM039810055 | 4052899484337 | 4052899484344 |
| LED COMFO Multi-head 1*30W 857 24D 12X1 OSRAM | 30W×1 | 5700K | 24° | AM039820055 | 4052899482500 | 4052899482517 |
| LED COMFO Multi-head 1*30W 830 40D 12X1 OSRAM | 30W×1 | 3000K | 40° | AM039830055 | 4052899482548 | 4052899482555 |
| LED COMFO Multi-head 1*30W 840 40D 12X1 OSRAM | 30W×1 | 4000K | 40° | AM039840055 | 4052899482562 | 4052899482579 |
| LED COMFO Multi-head 1*30W 857 40D 12X1 OSRAM | 30W×1 | 5700K | 40° | AM039850055 | 4052899482586 | 4052899482593 |
| LED COMFO Multi-head 2*30W 830 15D 6X1 OSRAM | 30W×2 | 3000K | 15° | AM039860055 | 4052899482609 | 4052899482616 |
| LED COMFO Multi-head 2*30W 840 15D 6X1 OSRAM | 30W×2 | 4000K | 15° | AM039870055 | 4052899482623 | 4052899482630 |
| LED COMFO Multi-head 2*30W 857 15D 6X1 OSRAM | 30W×2 | 5700K | 15° | AM039880055 | 4052899482647 | 4052899482654 |
| LED COMFO Multi-head 2*30W 830 24D 6X1 OSRAM | 30W×2 | 3000K | 24° | AM039890055 | 4052899482661 | 4052899482678 |
| LED COMFO Multi-head 2*30W 840 24D 6X1 OSRAM | 30W×2 | 4000K | 24° | AM039900055 | 4052899482685 | 4052899482692 |
| LED COMFO Multi-head 2*30W 857 24D 6X1 OSRAM | 30W×2 | 5700K | 24° | AM039910055 | 4052899482708 | 4052899482715 |
| LED COMFO Multi-head 2*30W 830 40D 6X1 OSRAM | 30W×2 | 3000K | 40° | AM039920055 | 4052899482722 | 4052899482739 |
| LED COMFO Multi-head 2*30W 840 40D 6X1 OSRAM | 30W×2 | 4000K | 40° | AM039930055 | 4052899482746 | 4052899482753 |
| LED COMFO Multi-head 2*30W 857 40D 6X1 OSRAM | 30W×2 | 5700K | 40° | AM039940055 | 4052899482760 | 4052899482777 |