



Product Highlights:

- Up to 34% luminaires saved
- More than 25% operating cost saved
- 30,000 hrs lifetime
- Uniform light without bright frame or dark spot
- Flicker free to ensure visual comfort

Light is comfortable

LEDCOMFO® Panel G2

The next generation with improved performance lighting solutions for commercial area.

Light is OSRAM

OSRAM

LEDCOMFO® Panel G2



Advantages & Benefits

Up to 34% luminaires saved

- 3500 lm for 4ft x 1ft and 2ft x 2ft, 34% higher than main stream products (2600 lm)
- True replacement for traditional panel, no need to change layout for replacement project

More than 25% operating cost saved

- 100 lm/W, which is 25% higher than mainstream product
- 30,000 hrs lifetime, that provides quality light for about 6 years to cover renovation interval of such applications

Improved sense of well-being from quality light

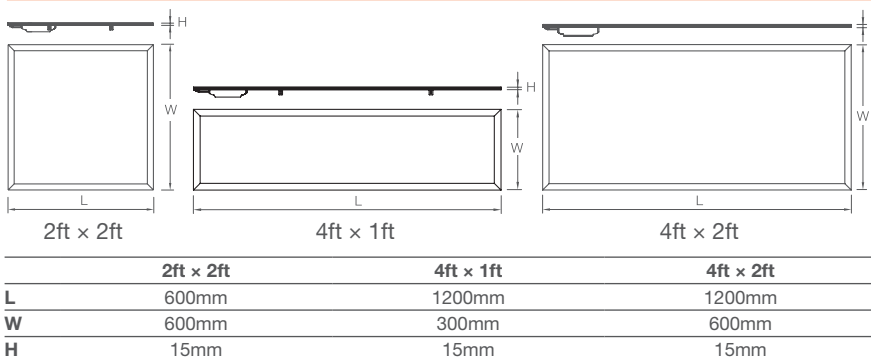
- Uniform light without bright frame or dark spot that improves visual effect of the space
- Flicker free to ensure visual comfort
- Minor light degradation to ensure long term effect

LEDCOMFO® Panel G2 family is designed for small commercial projects that help users reduce purchasing cost and operating cost with its high lumen package, efficacy and long lifetime. With three different sizes, three ways of mounting, it nicely fits into different kinds of installation environment.

Applications

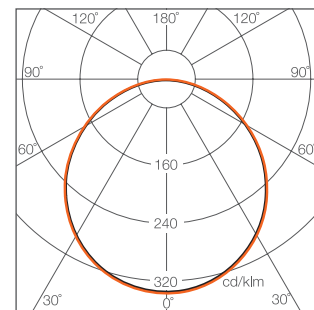
- Offices
- Hospitals
- Schools
- Banks
- Express stores

Dimensions



Photometrics

Light Distribution Curve (4000K, 6500K)



Product Reference	Ordering Code (EAN40)	Color	V	W	Hz	Beam Angle	K	lm	b [mm]	l [mm]	h [mm]	Icon
LEDCOMFO PANEL G2 0312 840 2X1 OSRAM	4052899567306	Neutral white	220-240	35	50/60	120	4000	3500	595	595	9	2
LEDCOMFO PANEL G2 0312 865 2X1 OSRAM	4052899567320	Cold white	220-240	35	50/60	120	6500	3500	595	595	9	2
LEDCOMFO PANEL G2 0312 840 IT 2X1 OSRAM	4052899567429	Neutral white	220-240	35	50/60	120	4000	3500	600	600	15	2
LEDCOMFO PANEL G2 0312 865 IT 2X1 OSRAM	4052899567443	Cold white	220-240	35	50/60	120	6500	3500	600	600	15	2
LEDCOMFO PANEL G2 0606 840 2X1 OSRAM	4052899567344	Neutral white	220-240	35	50/60	120	4000	3500	1195	295	9	2
LEDCOMFO PANEL G2 0606 865 2X1 OSRAM	4052899567368	Cold white	220-240	35	50/60	120	6500	3500	1195	295	9	2
LEDCOMFO PANEL G2 0606 840 IT 2X1 OSRAM	4052899567382	Neutral white	220-240	35	50/60	120	4000	3500	1200	300	15	2
LEDCOMFO PANEL G2 0606 865 IT 2X1 OSRAM	4052899567405	Cold white	220-240	35	50/60	120	6500	3500	1200	300	15	2
LEDCOMFO PANEL G2 0612 840 2X1 OSRAM	4052899567467	Neutral white	220-240	56	50/60	120	4000	5600	1195	595	11	2
LEDCOMFO PANEL G2 0612 865 2X1 OSRAM	4052899567481	Cold white	220-240	56	50/60	120	6500	5600	1195	595	11	2

Technical data subject to variation and change without notice.

OSRAM Lighting Solutions Asia Pacific

Sales enquiry: lighting.solutions.apac@osram.com
www.osram.asia/lis



OSRAM copyrights reserved 2018. Subject to change without notice. Errors and omission excepted. All images used are for illustrative purposes only and not intended to reflect actual product performance.