

LED COMFO® Highbay V4

Datasheet



LED COMFO® Highbay V4 series is highly efficient and reliable LED highbay luminaires that can be used in dusty and humid environment. The well-designed die-casting aluminum heat sink with high-efficiency lens achieve a perfect balance between convenience and practicality. LED COMFO® Highbay V4 series can replace the traditional HID highbay directly and provide the best solution for high ceiling industrial lighting and commercial lighting.

Benefits

Flexible options

- 9 wattage ranges
- Lumen output from 8,000lm to 38,400lm
- Color temperature 3000K/4000K/5700K/6500K
- ON/OFF, 0-10V DIM and DALI version

Robust and reliable

- 50,000hrs lifetime
- IP65, IK08 rated

Safe and efficient

- System efficacy up to 160lm/W
- Eye safety according to IEC
- CRI80 for better color representation
- Backup hook reserved for safety chain/cable

Versatile application

- Multiple mounting methods
- Compact and easy installation

Applications

- Workshops, assembly lines
- Warehouse, logistics
- Industrial and commercial halls
- Public areas (airports, stations, stadiums)

LED COMFO® Highbay V4

Technical Data

Optical Specifications

		M					L			
		50W	75W	100W	125W	150W	175W	200W	225W	240W
Luminous Flux	@4000K	8000 lm	12000 lm	16000 lm	20000 lm	24000 lm	28000 lm	32000 lm	36000 lm	38400 lm
Efficacy	@4000K	160lm/W								
CCT		3000K, 4000K, 5700K, 6500K								
CRI		>80								
SDCM		≤5								
UGR		≤27								
Beam Angle		60°, 90°								

Electrical and Mechanical Specifications

Input Voltage	220-240V AC 50/60Hz									
Power Consumption		50W	75W	100W	125W	150W	175W	200W	225W	240W
Power Factor		>0.95								
Total Harmonic Distortion		<15%								
Surge Protection		Line-to-line 6KV, line-to-ground 6KV								
Dimensions	Diameter	280	280	280	280	280	280	280	320	320
	Height	125	125	125	125	125	125	125	125	125
Weight (kg)		2.1	2.1	2.1	2.1	2.1	2.1	2.1	2.9	2.9
Cover Lens		Clear PC Cover								
Weight		Aluminum housing								

System Specifications

Power	220-240V AC 50/60Hz
Control	ON/OFF, 0-10V DIM, DALI
Installation	Suspended, surface mounting (The bracket accessories need to be purchased separately)
Operating Temperature	-30°C to +50°C
Storage Temperature	-30°C to +80°C
Environment	Indoor (IP65, IK08)
Lumen Maintenance	L70@35°C - 50,000hrs
Safety Approval	Electrical Protection Class I, CCC, RoHS

Due to the special conditions of manufacturing process of LED, the typical data of technical parameters can only reflect statistical figures and do not necessarily correspond to the actual parameters of each single product which could differ from typical data.

Exceeding maximum ratings for operation voltage will cause hazardous overload and will likely destroy the LED module.

Exceeding maximum ratings for operation and storage temperature will reduce expected life time or destroy the LED module.

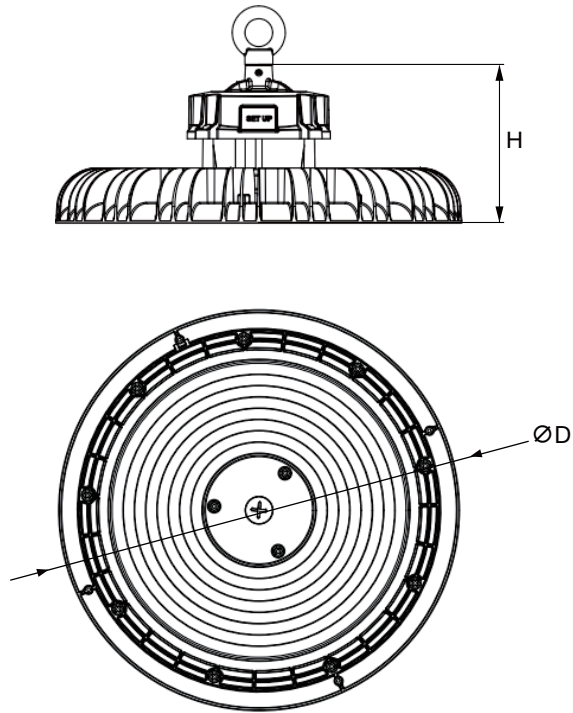
OSRAM is a trademark of OSRAM GmbH.

Traxon is the exclusive licensee of product trademark OSRAM for Professional General Lighting products in Mainland China, Hong Kong and Macau, additional fixed list of General Lighting products globally.

Specifications are subject to change without notice. Errors and omission excepted, always make sure to use the most recent release.

LED COMFO® Highbay V4

Dimension (Unit: mm)



Dimensions

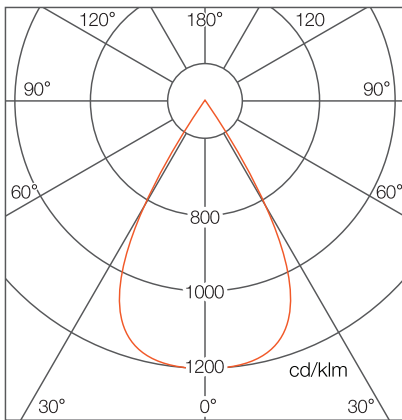
	50W	75W	100W	125W	150W	175W	200W	225W	240W
ØD	280mm	280mm	280mm	280mm	280mm	280mm	280mm	320mm	320mm
H	125mm	125mm	125mm	125mm	125mm	125mm	125mm	125mm	125mm

LED COMFO® Highbay V4

Photometrics

Light Distribution Curve

60°



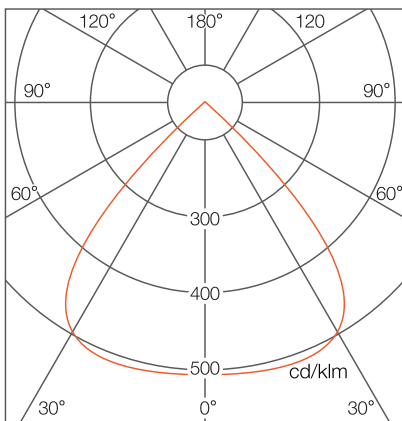
Illuminance at Distance

	Center Beam Lux/klm	Beam Width
0.5m	4793	0.55
1.0m	1198	1.10
1.5m	533	1.66
2.0m	300	2.21
2.5m	192	2.76
3.0m	133	3.31

For feet multiply by 3.28

● Horiz. Spread: 57.8°
For fc divide by 10.7

90°



	Center Beam Lux/klm	Beam Width
0.5m	2052	1.08
1.0m	513	2.15
1.5m	228	3.23
2.0m	128	4.30
2.5m	82	5.38
3.0m	57	6.46

For feet multiply by 3.28

● Horiz. Spread: 94.2°
For fc divide by 10.7

LED COMFO® Highbay V4

Ordering Codes

Fixture (ON/OFF Version)

Short Text	Power	Size	CCT	Beam angle	IC	Control
LCM HB V4 50W 830 60D GY VS1 OSRAM	50W	M	3000K	60	GL23100068655	ON/OFF
LCM HB V4 50W 840 60D GY VS1 OSRAM	50W	M	4000K	60	GL23100068755	ON/OFF
LCM HB V4 50W 857 60D GY VS1 OSRAM	50W	M	5700K	60	GL23100068855	ON/OFF
LCM HB V4 50W 865 60D GY VS1 OSRAM	50W	M	6500K	60	GL23100068955	ON/OFF
LCM HB V4 50W 830 90D GY VS1 OSRAM	50W	M	3000K	90	GL23100069055	ON/OFF
LCM HB V4 50W 840 90D GY VS1 OSRAM	50W	M	4000K	90	GL23100069155	ON/OFF
LCM HB V4 50W 857 90D GY VS1 OSRAM	50W	M	5700K	90	GL23100069255	ON/OFF
LCM HB V4 50W 865 90D GY VS1 OSRAM	50W	M	6500K	90	GL23100069355	ON/OFF
LCM HB V4 75W 830 60D GY VS1 OSRAM	75W	M	3000K	60	GL23100069455	ON/OFF
LCM HB V4 75W 840 60D GY VS1 OSRAM	75W	M	4000K	60	GL23100069555	ON/OFF
LCM HB V4 75W 857 60D GY VS1 OSRAM	75W	M	5700K	60	GL23100069655	ON/OFF
LCM HB V4 75W 865 60D GY VS1 OSRAM	75W	M	6500K	60	GL23100069755	ON/OFF
LCM HB V4 75W 830 90D GY VS1 OSRAM	75W	M	3000K	90	GL23100069855	ON/OFF
LCM HB V4 75W 840 90D GY VS1 OSRAM	75W	M	4000K	90	GL23100069955	ON/OFF
LCM HB V4 75W 857 90D GY VS1 OSRAM	75W	M	5700K	90	GL23100070055	ON/OFF
LCM HB V4 75W 865 90D GY VS1 OSRAM	75W	M	6500K	90	GL23100070155	ON/OFF
LCM HB V4 100W 830 60D GY VS1 OSRAM	100W	M	3000K	60	GL23100070255	ON/OFF
LCM HB V4 100W 840 60D GY VS1 OSRAM	100W	M	4000K	60	GL23100070355	ON/OFF
LCM HB V4 100W 857 60D GY VS1 OSRAM	100W	M	5700K	60	GL23100070455	ON/OFF
LCM HB V4 100W 865 60D GY VS1 OSRAM	100W	M	6500K	60	GL23100070555	ON/OFF
LCM HB V4 100W 830 90D GY VS1 OSRAM	100W	M	3000K	90	GL23100070655	ON/OFF
LCM HB V4 100W 840 90D GY VS1 OSRAM	100W	M	4000K	90	GL23100070755	ON/OFF
LCM HB V4 100W 857 90D GY VS1 OSRAM	100W	M	5700K	90	GL23100070855	ON/OFF
LCM HB V4 100W 865 90D GY VS1 OSRAM	100W	M	6500K	90	GL23100070955	ON/OFF
LCM HB V4 125W 830 60D GY VS1 OSRAM	125W	M	3000K	60	GL23100071055	ON/OFF
LCM HB V4 125W 840 60D GY VS1 OSRAM	125W	M	4000K	60	GL23100071155	ON/OFF
LCM HB V4 125W 857 60D GY VS1 OSRAM	125W	M	5700K	60	GL23100071255	ON/OFF
LCM HB V4 125W 865 60D GY VS1 OSRAM	125W	M	6500K	60	GL23100071355	ON/OFF
LCM HB V4 125W 830 90D GY VS1 OSRAM	125W	M	3000K	90	GL23100071455	ON/OFF
LCM HB V4 125W 840 90D GY VS1 OSRAM	125W	M	4000K	90	GL23100071555	ON/OFF
LCM HB V4 125W 857 90D GY VS1 OSRAM	125W	M	5700K	90	GL23100071655	ON/OFF
LCM HB V4 125W 865 90D GY VS1 OSRAM	125W	M	6500K	90	GL23100071755	ON/OFF
LCM HB V4 150W 830 60D GY VS1 OSRAM	150W	M	3000K	60	GL23100071855	ON/OFF
LCM HB V4 150W 840 60D GY VS1 OSRAM	150W	M	4000K	60	GL23100071955	ON/OFF
LCM HB V4 150W 857 60D GY VS1 OSRAM	150W	M	5700K	60	GL23100072055	ON/OFF
LCM HB V4 150W 865 60D GY VS1 OSRAM	150W	M	6500K	60	GL23100072155	ON/OFF
LCM HB V4 150W 830 90D GY VS1 OSRAM	150W	M	3000K	90	GL23100072255	ON/OFF
LCM HB V4 150W 840 90D GY VS1 OSRAM	150W	M	4000K	90	GL23100072355	ON/OFF
LCM HB V4 150W 857 90D GY VS1 OSRAM	150W	M	5700K	90	GL23100072455	ON/OFF
LCM HB V4 150W 865 90D GY VS1 OSRAM	150W	M	6500K	90	GL23100072555	ON/OFF
LCM HB V4 175W 830 60D GY VS1 OSRAM	175W	M	3000K	60	GL23100072655	ON/OFF
LCM HB V4 175W 840 60D GY VS1 OSRAM	175W	M	4000K	60	GL23100072755	ON/OFF
LCM HB V4 175W 857 60D GY VS1 OSRAM	175W	M	5700K	60	GL23100072855	ON/OFF
LCM HB V4 175W 865 60D GY VS1 OSRAM	175W	M	6500K	60	GL23100072955	ON/OFF
LCM HB V4 175W 830 90D GY VS1 OSRAM	175W	M	3000K	90	GL23100073055	ON/OFF
LCM HB V4 175W 840 90D GY VS1 OSRAM	175W	M	4000K	90	GL23100073155	ON/OFF
LCM HB V4 175W 857 90D GY VS1 OSRAM	175W	M	5700K	90	GL23100073255	ON/OFF
LCM HB V4 175W 865 90D GY VS1 OSRAM	175W	M	6500K	90	GL23100073355	ON/OFF
LCM HB V4 200W 830 60D GY VS1 OSRAM	200W	M	3000K	60	GL23100073455	ON/OFF
LCM HB V4 200W 840 60D GY VS1 OSRAM	200W	M	4000K	60	GL23100073555	ON/OFF
LCM HB V4 200W 857 60D GY VS1 OSRAM	200W	M	5700K	60	GL23100073655	ON/OFF
LCM HB V4 200W 865 60D GY VS1 OSRAM	200W	M	6500K	60	GL23100073755	ON/OFF
LCM HB V4 200W 830 90D GY VS1 OSRAM	200W	M	3000K	90	GL23100073855	ON/OFF
LCM HB V4 200W 840 90D GY VS1 OSRAM	200W	M	4000K	90	GL23100073955	ON/OFF
LCM HB V4 200W 857 90D GY VS1 OSRAM	200W	M	5700K	90	GL23100074055	ON/OFF
LCM HB V4 200W 865 90D GY VS1 OSRAM	200W	M	6500K	90	GL23100074155	ON/OFF
LCM HB V4 225W 830 60D GY VS1 OSRAM	225W	L	3000K	60	GL23100074255	ON/OFF
LCM HB V4 225W 840 60D GY VS1 OSRAM	225W	L	4000K	60	GL23100074355	ON/OFF
LCM HB V4 225W 857 60D GY VS1 OSRAM	225W	L	5700K	60	GL23100074455	ON/OFF
LCM HB V4 225W 865 60D GY VS1 OSRAM	225W	L	6500K	60	GL23100074555	ON/OFF
LCM HB V4 225W 830 90D GY VS1 OSRAM	225W	L	3000K	90	GL23100074655	ON/OFF
LCM HB V4 225W 840 90D GY VS1 OSRAM	225W	L	4000K	90	GL23100074755	ON/OFF
LCM HB V4 225W 857 90D GY VS1 OSRAM	225W	L	5700K	90	GL23100074855	ON/OFF
LCM HB V4 225W 865 90D GY VS1 OSRAM	225W	L	6500K	90	GL23100074955	ON/OFF
LCM HB V4 240W 830 60D GY VS1 OSRAM	240W	L	3000K	60	GL23100075055	ON/OFF
LCM HB V4 240W 840 60D GY VS1 OSRAM	240W	L	4000K	60	GL23100075155	ON/OFF
LCM HB V4 240W 857 60D GY VS1 OSRAM	240W	L	5700K	60	GL23100075255	ON/OFF
LCM HB V4 240W 865 60D GY VS1 OSRAM	240W	L	6500K	60	GL23100075355	ON/OFF
LCM HB V4 240W 830 90D GY VS1 OSRAM	240W	L	3000K	90	GL23100075455	ON/OFF
LCM HB V4 240W 840 90D GY VS1 OSRAM	240W	L	4000K	90	GL23100075555	ON/OFF
LCM HB V4 240W 857 90D GY VS1 OSRAM	240W	L	5700K	90	GL23100075655	ON/OFF
LCM HB V4 240W 865 90D GY VS1 OSRAM	240W	L	6500K	90	GL23100075755	ON/OFF

OSRAM is a trademark of OSRAM GmbH.
 Traxon is the exclusive licensee of product trademark OSRAM for Professional General Lighting products in Mainland China, Hong Kong and Macau, additional fixed list of General Lighting products globally.
 Specifications are subject to change without notice. Errors and omission excepted, always make sure to use the most recent release.

LED COMFO® Highbay V4

Ordering Codes

Fixture (0-10V DIM Version)

Short Text	Power	Size	CCT	Beam angle	IC	Control
LCM HB V4 50W 830 60D DIM GY VS1 OSRAM	50W	M	3000K	60	GL23100075855	0-10V DIM
LCM HB V4 50W 840 60D DIM GY VS1 OSRAM	50W	M	4000K	60	GL23100075955	0-10V DIM
LCM HB V4 50W 857 60D DIM GY VS1 OSRAM	50W	M	5700K	60	GL23100076055	0-10V DIM
LCM HB V4 50W 865 60D DIM GY VS1 OSRAM	50W	M	6500K	60	GL23100076155	0-10V DIM
LCM HB V4 50W 830 90D DIM GY VS1 OSRAM	50W	M	3000K	90	GL23100076255	0-10V DIM
LCM HB V4 50W 840 90D DIM GY VS1 OSRAM	50W	M	4000K	90	GL23100076355	0-10V DIM
LCM HB V4 50W 857 90D DIM GY VS1 OSRAM	50W	M	5700K	90	GL23100076455	0-10V DIM
LCM HB V4 50W 865 90D DIM GY VS1 OSRAM	50W	M	6500K	90	GL23100076555	0-10V DIM
LCM HB V4 75W 830 60D DIM GY VS1 OSRAM	75W	M	3000K	60	GL23100076655	0-10V DIM
LCM HB V4 75W 840 60D DIM GY VS1 OSRAM	75W	M	4000K	60	GL23100076755	0-10V DIM
LCM HB V4 75W 857 60D DIM GY VS1 OSRAM	75W	M	5700K	60	GL23100076855	0-10V DIM
LCM HB V4 75W 865 60D DIM GY VS1 OSRAM	75W	M	6500K	60	GL23100076955	0-10V DIM
LCM HB V4 75W 830 90D DIM GY VS1 OSRAM	75W	M	3000K	90	GL23100077055	0-10V DIM
LCM HB V4 75W 840 90D DIM GY VS1 OSRAM	75W	M	4000K	90	GL23100077155	0-10V DIM
LCM HB V4 75W 857 90D DIM GY VS1 OSRAM	75W	M	5700K	90	GL23100077255	0-10V DIM
LCM HB V4 75W 865 90D DIM GY VS1 OSRAM	75W	M	6500K	90	GL23100077355	0-10V DIM
LCM HB V4 100W 830 60D DIM GY VS1 OSRAM	100W	M	3000K	60	GL23100077455	0-10V DIM
LCM HB V4 100W 840 60D DIM GY VS1 OSRAM	100W	M	4000K	60	GL23100077555	0-10V DIM
LCM HB V4 100W 857 60D DIM GY VS1 OSRAM	100W	M	5700K	60	GL23100077655	0-10V DIM
LCM HB V4 100W 865 60D DIM GY VS1 OSRAM	100W	M	6500K	60	GL23100077755	0-10V DIM
LCM HB V4 100W 830 90D DIM GY VS1 OSRAM	100W	M	3000K	90	GL23100077855	0-10V DIM
LCM HB V4 100W 840 90D DIM GY VS1 OSRAM	100W	M	4000K	90	GL23100077955	0-10V DIM
LCM HB V4 100W 857 90D DIM GY VS1 OSRAM	100W	M	5700K	90	GL23100078055	0-10V DIM
LCM HB V4 100W 865 90D DIM GY VS1 OSRAM	100W	M	6500K	90	GL23100078155	0-10V DIM
LCM HB V4 125W 830 60D DIM GY VS1 OSRAM	125W	M	3000K	60	GL23100078255	0-10V DIM
LCM HB V4 125W 840 60D DIM GY VS1 OSRAM	125W	M	4000K	60	GL23100078355	0-10V DIM
LCM HB V4 125W 857 60D DIM GY VS1 OSRAM	125W	M	5700K	60	GL23100078455	0-10V DIM
LCM HB V4 125W 865 60D DIM GY VS1 OSRAM	125W	M	6500K	60	GL23100078555	0-10V DIM
LCM HB V4 125W 830 90D DIM GY VS1 OSRAM	125W	M	3000K	90	GL23100078655	0-10V DIM
LCM HB V4 125W 840 90D DIM GY VS1 OSRAM	125W	M	4000K	90	GL23100078755	0-10V DIM
LCM HB V4 125W 857 90D DIM GY VS1 OSRAM	125W	M	5700K	90	GL23100078855	0-10V DIM
LCM HB V4 125W 865 90D DIM GY VS1 OSRAM	125W	M	6500K	90	GL23100078955	0-10V DIM
LCM HB V4 150W 830 60D DIM GY VS1 OSRAM	150W	M	3000K	60	GL23100079055	0-10V DIM
LCM HB V4 150W 840 60D DIM GY VS1 OSRAM	150W	M	4000K	60	GL23100079155	0-10V DIM
LCM HB V4 150W 857 60D DIM GY VS1 OSRAM	150W	M	5700K	60	GL23100079255	0-10V DIM
LCM HB V4 150W 865 60D DIM GY VS1 OSRAM	150W	M	6500K	60	GL23100079355	0-10V DIM
LCM HB V4 150W 830 90D DIM GY VS1 OSRAM	150W	M	3000K	90	GL23100079455	0-10V DIM
LCM HB V4 150W 840 90D DIM GY VS1 OSRAM	150W	M	4000K	90	GL23100079555	0-10V DIM
LCM HB V4 150W 857 90D DIM GY VS1 OSRAM	150W	M	5700K	90	GL23100079655	0-10V DIM
LCM HB V4 150W 865 90D DIM GY VS1 OSRAM	150W	M	6500K	90	GL23100079755	0-10V DIM
LCM HB V4 175W 830 60D DIM GY VS1 OSRAM	175W	M	3000K	60	GL23100079855	0-10V DIM
LCM HB V4 175W 840 60D DIM GY VS1 OSRAM	175W	M	4000K	60	GL23100079955	0-10V DIM
LCM HB V4 175W 857 60D DIM GY VS1 OSRAM	175W	M	5700K	60	GL23100080055	0-10V DIM
LCM HB V4 175W 865 60D DIM GY VS1 OSRAM	175W	M	6500K	60	GL23100080155	0-10V DIM
LCM HB V4 175W 830 90D DIM GY VS1 OSRAM	175W	M	3000K	90	GL23100080255	0-10V DIM
LCM HB V4 175W 840 90D DIM GY VS1 OSRAM	175W	M	4000K	90	GL23100080355	0-10V DIM
LCM HB V4 175W 857 90D DIM GY VS1 OSRAM	175W	M	5700K	90	GL23100080455	0-10V DIM
LCM HB V4 175W 865 90D DIM GY VS1 OSRAM	175W	M	6500K	90	GL23100080555	0-10V DIM
LCM HB V4 200W 830 60D DIM GY VS1 OSRAM	200W	M	3000K	60	GL23100080655	0-10V DIM
LCM HB V4 200W 840 60D DIM GY VS1 OSRAM	200W	M	4000K	60	GL23100080755	0-10V DIM
LCM HB V4 200W 857 60D DIM GY VS1 OSRAM	200W	M	5700K	60	GL23100080855	0-10V DIM
LCM HB V4 200W 865 60D DIM GY VS1 OSRAM	200W	M	6500K	60	GL23100080955	0-10V DIM
LCM HB V4 200W 830 90D DIM GY VS1 OSRAM	200W	M	3000K	90	GL23100081055	0-10V DIM
LCM HB V4 200W 840 90D DIM GY VS1 OSRAM	200W	M	4000K	90	GL23100081155	0-10V DIM
LCM HB V4 200W 857 90D DIM GY VS1 OSRAM	200W	M	5700K	90	GL23100081255	0-10V DIM
LCM HB V4 200W 865 90D DIM GY VS1 OSRAM	200W	M	6500K	90	GL23100081355	0-10V DIM
LCM HB V4 225W 830 60D DIM GY VS1 OSRAM	225W	L	3000K	60	GL23100081455	0-10V DIM
LCM HB V4 225W 840 60D DIM GY VS1 OSRAM	225W	L	4000K	60	GL23100081555	0-10V DIM
LCM HB V4 225W 857 60D DIM GY VS1 OSRAM	225W	L	5700K	60	GL23100081655	0-10V DIM
LCM HB V4 225W 865 60D DIM GY VS1 OSRAM	225W	L	6500K	60	GL23100081755	0-10V DIM
LCM HB V4 225W 830 90D DIM GY VS1 OSRAM	225W	L	3000K	90	GL23100081855	0-10V DIM
LCM HB V4 225W 840 90D DIM GY VS1 OSRAM	225W	L	4000K	90	GL23100081955	0-10V DIM
LCM HB V4 225W 857 90D DIM GY VS1 OSRAM	225W	L	5700K	90	GL23100082055	0-10V DIM
LCM HB V4 225W 865 90D DIM GY VS1 OSRAM	225W	L	6500K	90	GL23100082155	0-10V DIM
LCM HB V4 240W 830 60D DIM GY VS1 OSRAM	240W	L	3000K	60	GL23100082255	0-10V DIM
LCM HB V4 240W 840 60D DIM GY VS1 OSRAM	240W	L	4000K	60	GL23100082355	0-10V DIM
LCM HB V4 240W 857 60D DIM GY VS1 OSRAM	240W	L	5700K	60	GL23100082455	0-10V DIM
LCM HB V4 240W 865 60D DIM GY VS1 OSRAM	240W	L	6500K	60	GL23100082555	0-10V DIM
LCM HB V4 240W 830 90D DIM GY VS1 OSRAM	240W	L	3000K	90	GL23100082655	0-10V DIM
LCM HB V4 240W 840 90D DIM GY VS1 OSRAM	240W	L	4000K	90	GL23100082755	0-10V DIM
LCM HB V4 240W 857 90D DIM GY VS1 OSRAM	240W	L	5700K	90	GL23100082855	0-10V DIM
LCM HB V4 240W 865 90D DIM GY VS1 OSRAM	240W	L	6500K	90	GL23100082955	0-10V DIM

OSRAM is a trademark of OSRAM GmbH.

Traxon is the exclusive licensee of product trademark OSRAM for Professional General Lighting products in Mainland China, Hong Kong and Macau, additional fixed list of General Lighting products globally.

Specifications are subject to change without notice. Errors and omission excepted, always make sure to use the most recent release.

LED COMFO® Highbay V4

Ordering Codes

Fixture (DALI version)

Short Text	Power	Size	CCT	Beam angle	IC	Control
LCM HB V4 50W 830 60D DA GY VS1 OSRAM	50W	M	3000K	60	GL23100083055	DALI
LCM HB V4 50W 840 60D DA GY VS1 OSRAM	50W	M	4000K	60	GL23100083155	DALI
LCM HB V4 50W 857 60D DA GY VS1 OSRAM	50W	M	5700K	60	GL23100083255	DALI
LCM HB V4 50W 865 60D DA GY VS1 OSRAM	50W	M	6500K	60	GL23100083355	DALI
LCM HB V4 50W 830 90D DA GY VS1 OSRAM	50W	M	3000K	90	GL23100083455	DALI
LCM HB V4 50W 840 90D DA GY VS1 OSRAM	50W	M	4000K	90	GL23100083555	DALI
LCM HB V4 50W 857 90D DA GY VS1 OSRAM	50W	M	5700K	90	GL23100083655	DALI
LCM HB V4 50W 865 90D DA GY VS1 OSRAM	50W	M	6500K	90	GL23100083755	DALI
LCM HB V4 75W 830 60D DA GY VS1 OSRAM	75W	M	3000K	60	GL23100083855	DALI
LCM HB V4 75W 840 60D DA GY VS1 OSRAM	75W	M	4000K	60	GL23100083955	DALI
LCM HB V4 75W 857 60D DA GY VS1 OSRAM	75W	M	5700K	60	GL23100084055	DALI
LCM HB V4 75W 865 60D DA GY VS1 OSRAM	75W	M	6500K	60	GL23100084155	DALI
LCM HB V4 75W 830 90D DA GY VS1 OSRAM	75W	M	3000K	90	GL23100084255	DALI
LCM HB V4 75W 840 90D DA GY VS1 OSRAM	75W	M	4000K	90	GL23100084355	DALI
LCM HB V4 75W 857 90D DA GY VS1 OSRAM	75W	M	5700K	90	GL23100084455	DALI
LCM HB V4 75W 865 90D DA GY VS1 OSRAM	75W	M	6500K	90	GL23100084555	DALI
LCM HB V4 100W 830 60D DA GY VS1 OSRAM	100W	M	3000K	60	GL23100084655	DALI
LCM HB V4 100W 840 60D DA GY VS1 OSRAM	100W	M	4000K	60	GL23100084755	DALI
LCM HB V4 100W 857 60D DA GY VS1 OSRAM	100W	M	5700K	60	GL23100084855	DALI
LCM HB V4 100W 865 60D DA GY VS1 OSRAM	100W	M	6500K	60	GL23100084955	DALI
LCM HB V4 100W 830 90D DA GY VS1 OSRAM	100W	M	3000K	90	GL23100085055	DALI
LCM HB V4 100W 840 90D DA GY VS1 OSRAM	100W	M	4000K	90	GL23100085155	DALI
LCM HB V4 100W 857 90D DA GY VS1 OSRAM	100W	M	5700K	90	GL23100085255	DALI
LCM HB V4 100W 865 90D DA GY VS1 OSRAM	100W	M	6500K	90	GL23100085355	DALI
LCM HB V4 125W 830 60D DA GY VS1 OSRAM	125W	M	3000K	60	GL23100085455	DALI
LCM HB V4 125W 840 60D DA GY VS1 OSRAM	125W	M	4000K	60	GL23100085555	DALI
LCM HB V4 125W 857 60D DA GY VS1 OSRAM	125W	M	5700K	60	GL23100085655	DALI
LCM HB V4 125W 865 60D DA GY VS1 OSRAM	125W	M	6500K	60	GL23100085755	DALI
LCM HB V4 125W 830 90D DA GY VS1 OSRAM	125W	M	3000K	90	GL23100085855	DALI
LCM HB V4 125W 840 90D DA GY VS1 OSRAM	125W	M	4000K	90	GL23100085955	DALI
LCM HB V4 125W 857 90D DA GY VS1 OSRAM	125W	M	5700K	90	GL23100086055	DALI
LCM HB V4 125W 865 90D DA GY VS1 OSRAM	125W	M	6500K	90	GL23100086155	DALI
LCM HB V4 150W 830 60D DA GY VS1 OSRAM	150W	M	3000K	60	GL23100086255	DALI
LCM HB V4 150W 840 60D DA GY VS1 OSRAM	150W	M	4000K	60	GL23100086355	DALI
LCM HB V4 150W 857 60D DA GY VS1 OSRAM	150W	M	5700K	60	GL23100086455	DALI
LCM HB V4 150W 865 60D DA GY VS1 OSRAM	150W	M	6500K	60	GL23100086555	DALI
LCM HB V4 150W 830 90D DA GY VS1 OSRAM	150W	M	3000K	90	GL23100086655	DALI
LCM HB V4 150W 840 90D DA GY VS1 OSRAM	150W	M	4000K	90	GL23100086755	DALI
LCM HB V4 150W 857 90D DA GY VS1 OSRAM	150W	M	5700K	90	GL23100086855	DALI
LCM HB V4 150W 865 90D DA GY VS1 OSRAM	150W	M	6500K	90	GL23100086955	DALI
LCM HB V4 175W 830 60D DA GY VS1 OSRAM	175W	M	3000K	60	GL23100087055	DALI
LCM HB V4 175W 840 60D DA GY VS1 OSRAM	175W	M	4000K	60	GL23100087155	DALI
LCM HB V4 175W 857 60D DA GY VS1 OSRAM	175W	M	5700K	60	GL23100087255	DALI
LCM HB V4 175W 865 60D DA GY VS1 OSRAM	175W	M	6500K	60	GL23100087355	DALI
LCM HB V4 175W 830 90D DA GY VS1 OSRAM	175W	M	3000K	90	GL23100087455	DALI
LCM HB V4 175W 840 90D DA GY VS1 OSRAM	175W	M	4000K	90	GL23100087555	DALI
LCM HB V4 175W 857 90D DA GY VS1 OSRAM	175W	M	5700K	90	GL23100087655	DALI
LCM HB V4 175W 865 90D DA GY VS1 OSRAM	175W	M	6500K	90	GL23100087755	DALI
LCM HB V4 200W 830 60D DA GY VS1 OSRAM	200W	M	3000K	60	GL23100087855	DALI
LCM HB V4 200W 840 60D DA GY VS1 OSRAM	200W	M	4000K	60	GL23100087955	DALI
LCM HB V4 200W 857 60D DA GY VS1 OSRAM	200W	M	5700K	60	GL23100088055	DALI
LCM HB V4 200W 865 60D DA GY VS1 OSRAM	200W	M	6500K	60	GL23100088155	DALI
LCM HB V4 200W 830 90D DA GY VS1 OSRAM	200W	M	3000K	90	GL23100088255	DALI
LCM HB V4 200W 840 90D DA GY VS1 OSRAM	200W	M	4000K	90	GL23100088355	DALI
LCM HB V4 200W 857 90D DA GY VS1 OSRAM	200W	M	5700K	90	GL23100088455	DALI
LCM HB V4 200W 865 90D DA GY VS1 OSRAM	200W	M	6500K	90	GL23100088555	DALI
LCM HB V4 225W 830 60D DA GY VS1 OSRAM	225W	L	3000K	60	GL23100088655	DALI
LCM HB V4 225W 840 60D DA GY VS1 OSRAM	225W	L	4000K	60	GL23100088755	DALI
LCM HB V4 225W 857 60D DA GY VS1 OSRAM	225W	L	5700K	60	GL23100088855	DALI
LCM HB V4 225W 865 60D DA GY VS1 OSRAM	225W	L	6500K	60	GL23100088955	DALI
LCM HB V4 225W 830 90D DA GY VS1 OSRAM	225W	L	3000K	90	GL23100089055	DALI
LCM HB V4 225W 840 90D DA GY VS1 OSRAM	225W	L	4000K	90	GL23100089155	DALI
LCM HB V4 225W 857 90D DA GY VS1 OSRAM	225W	L	5700K	90	GL23100089255	DALI
LCM HB V4 225W 865 90D DA GY VS1 OSRAM	225W	L	6500K	90	GL23100089355	DALI
LCM HB V4 240W 830 60D DA GY VS1 OSRAM	240W	L	3000K	60	GL23100089455	DALI
LCM HB V4 240W 840 60D DA GY VS1 OSRAM	240W	L	4000K	60	GL23100089555	DALI
LCM HB V4 240W 857 60D DA GY VS1 OSRAM	240W	L	5700K	60	GL23100089655	DALI
LCM HB V4 240W 865 60D DA GY VS1 OSRAM	240W	L	6500K	60	GL23100089755	DALI
LCM HB V4 240W 830 90D DA GY VS1 OSRAM	240W	L	3000K	90	GL23100089855	DALI
LCM HB V4 240W 840 90D DA GY VS1 OSRAM	240W	L	4000K	90	GL23100089955	DALI
LCM HB V4 240W 857 90D DA GY VS1 OSRAM	240W	L	5700K	90	GL23100090055	DALI
LCM HB V4 240W 865 90D DA GY VS1 OSRAM	240W	L	6500K	90	GL23100090155	DALI

