



TRAXON

Media Dot Go M

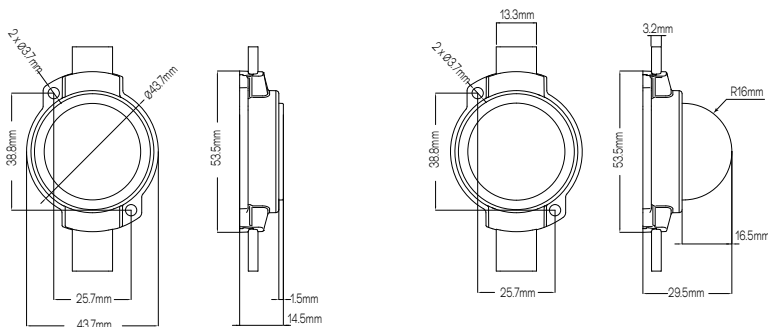


Media Dot Go is an easy, affordable way to create pixel controlled full-color effects on walls, buildings, monuments—anywhere you can imagine. Long strings of individually controlled Dots produce bright color-changing effects, messages, or even video! 3 dot sizes mean you control the impact: long-distance viewing, creating a digital sign, or backlighting a wall can be done indoors or outdoors. Mounting ease & flexibility is guaranteed, whether directly to surface by screws, cable ties, clips or with Traxon's Mesh Mounting System.

Features

- Customizable Pixel Pitch from 80mm to 2000mm
- Diffused View and Direct View
- DMX512
- Daisy Chain System with quick lock connectors
- Manual-Addressing with TX Smart Addresser
- IP67, Suitable for Coastal Environment, IK06 and 3G Vibration Resistant
- Cut in the field to match project needs*

Dimensions



TRAXON Go⁺

Project: _____

Type: _____



IP67



COAST



DMX 512



ANSI 3G

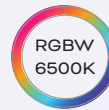


IK06

Technologies

- Manual-addressing with TX Smart Addresser
- DMX512
- 4K Hz PWM refresh rate

Color Options



Lens Options

Clear

Diffused Dome



Finish



Standard White (9003)

* Please see the installation guide for details.

Product Specifications

	Direct View			Diffused View		
	RGBW	RGB	DW	RGBW	RGB	DW
Max Pixels	55 pixels	70 pixels	55 pixels	55 pixels	70 pixels	55 pixels
Light Source	6 RGB + 3 White	6 RGB	3 2700K + 3 6500K	6 RGB + 3 White	6 RGB	3 2700K + 3 6500K
Color Range	16.7 Million additive RGB colors, White 6500K					
Color Resolution	16-Bit Grayscale, Gamma 2.0					
Refresh Rate	PWM 4k Hz					
Beam Angle	110°			150°		
Luminous Flux (full-on)	71.1 lm	44.8 lm	178 lm	54.8 lm	35.2 lm	135.2 lm
Efficacy (full-on)	39.5 lm/W	29.9 lm/W	89 lm/W	30.4 lm/W	23.5 lm/W	67.6 lm/W
Pixel Pitch	80mm – 2000mm, Standard: 150mm					
Cover Lens	Flat Clear PC cover			Dome Diffused PC Cover		
Housing	UV resistant polycarbonate					
Housing Finish Options	Standard White 9003					
Mounting	Fixed Surface Mount					
Dimensions (W x L x H)	43.7mm x 53.5mm x 14.5mm			43.7mm x 53.5mm x 29.5mm		
Weight	18.5g					
Regulatory Listing & Safety Approval	CE, UKCA, ANSI C136.31 - 3G					
Operating Temperature	-30°C to +50°C (-22°F to +122°F)					
Storage Temperature	-40°C to +70°C (-40°F to +158°F)					
Environment	Outdoor, IP67, IK06					
Humidity	10% - 90%, non-condensing					

Electrical Specifications

Input Voltage	24V DC					
Power Consumption*	1.8W	1.5W	2.0W	1.8W	1.5W	2.0W
Lumen Maintenance	L70 50000hrs @ 25°C					

System Specifications

Control	DMX 512
Power Supply	LED Engine 24V Outdoor
Addressing Options	Manual-Addressing with TX Smart Addresser
Fixture Interconnection	See System Diagram

*Measurement per dot. Specification is subject to change due to continuous improvement.

LED CHARACTERISTICS Because LEDs are semiconductor devices, their performances are subject to inherent variability commonly found in semiconductor industry. To improve consistency in performance across the same product, LED manufacturers "sort" LEDs into bins according to different preset parameters, such as forward driving voltage, illumination, etc. Whereas binning is a sorting function, it is not a correction process. Inherent variability in the manufacturing process results always in different binning distributions according to different production lots. Traxon uses automatically binned LEDs on its products, thereby minimizing output variations within the model range.

As with all electronic devices, LED output degrades over time – a term called lumen depreciation. This also explains why it is nearly impossible to expect photometric performances of two LED products with different service life spans to be the same. The rate of LED degrade is a complicate function of many factors such as operating efficiency, duration of continuous operation, and more significantly, environmental conditions (ambient temperature for example). If allowed working under optimal operating temperature range and with good ventilation, LED devices enjoy long service lives over conventional light sources. When using/installing LED devices, care should be taken to ensure that the devices will operate within the operating conditions specified in respective product literature.

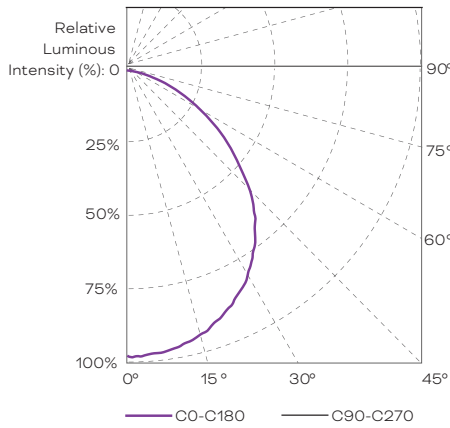
Lumen measurement complies with LM-79-08 standard.
Lumen maintenance is calculated based on LM-80 compliant measurement.

Source Specifications

Direct View

Optics 110°

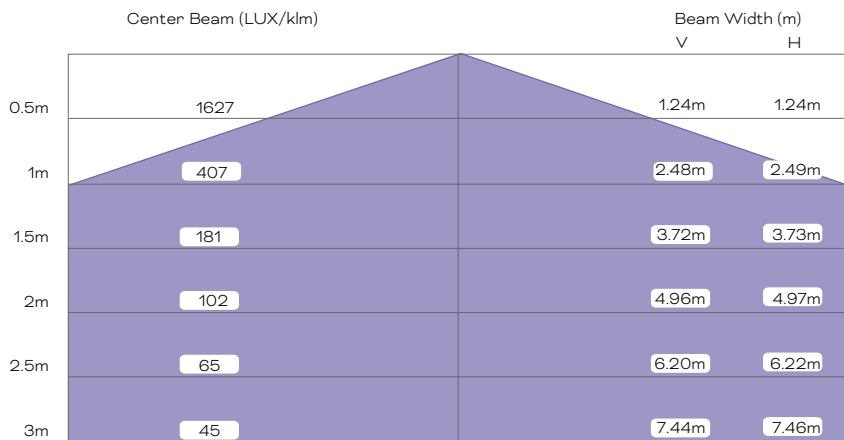
Candela Distribution



Light Output

Color	Luminous Flux (lm)	Center Intensity (cd)	Efficacy (lm/W)
RGBW (full-on)	71.1	27.9	39.5
RGB	36.4	14.3	25.8
Red	9.2	3.6	14.9
Green	21.9	8.6	35.4
Blue	5.3	2.1	8.5
White	34.7	13.6	56.0
RGB (full-on)	44.8	18.0	29.9
Red	11.7	4.7	17.4
Green	26.7	10.7	39.9
Blue	6.4	2.6	9.5
DW (full-on)	178.0	66.8	89.0
CW	85.1	31.9	77.4
DW	92.7	34.8	84.3

Illuminance at a Distance



- Horiz. Spread: 102.4°
- Vert. Spread: 102.2°

For fc divide by 10.7

IES and LDT files are available for download from the Traxon website.

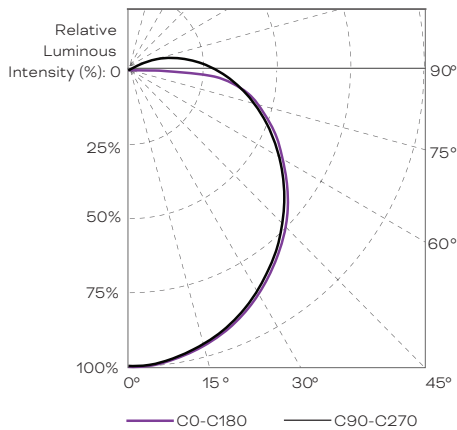
For feet multiply by 3.28

Source Specifications

Diffused View

Optics 150°

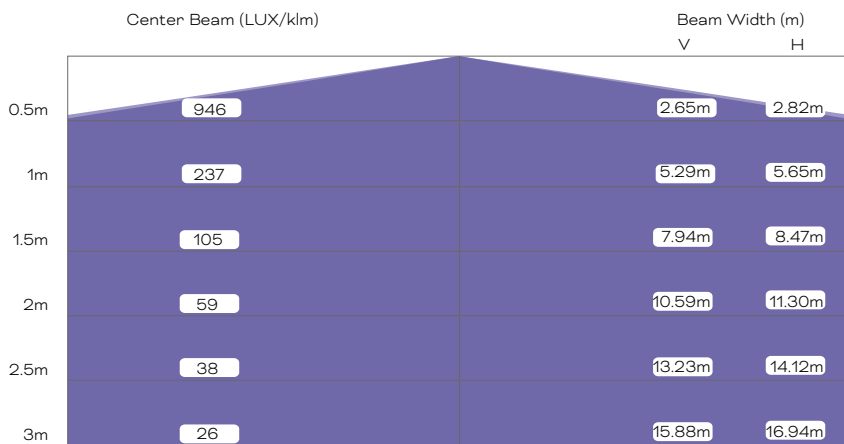
Candela Distribution



Light Output

Color	Luminous Flux (lm)	Center Intensity (cd)	Efficacy (lm/W)
RGBW (full-on)	54.8	11.8	30.4
RGB	28.0	6.1	19.9
Red	7.1	1.5	11.5
Green	16.9	3.6	27.2
Blue	4.1	0.9	6.5
White	26.7	5.8	43.1
RGB (full-on)	35.2	7.5	23.5
Red	9.2	2.0	13.7
Green	21.0	4.5	31.4
Blue	5.0	1.1	7.5
DW (full-on)	135.2	29.0	67.6
CW	64.7	13.9	58.8
DW	70.4	15.1	64.0

Illuminance at a Distance



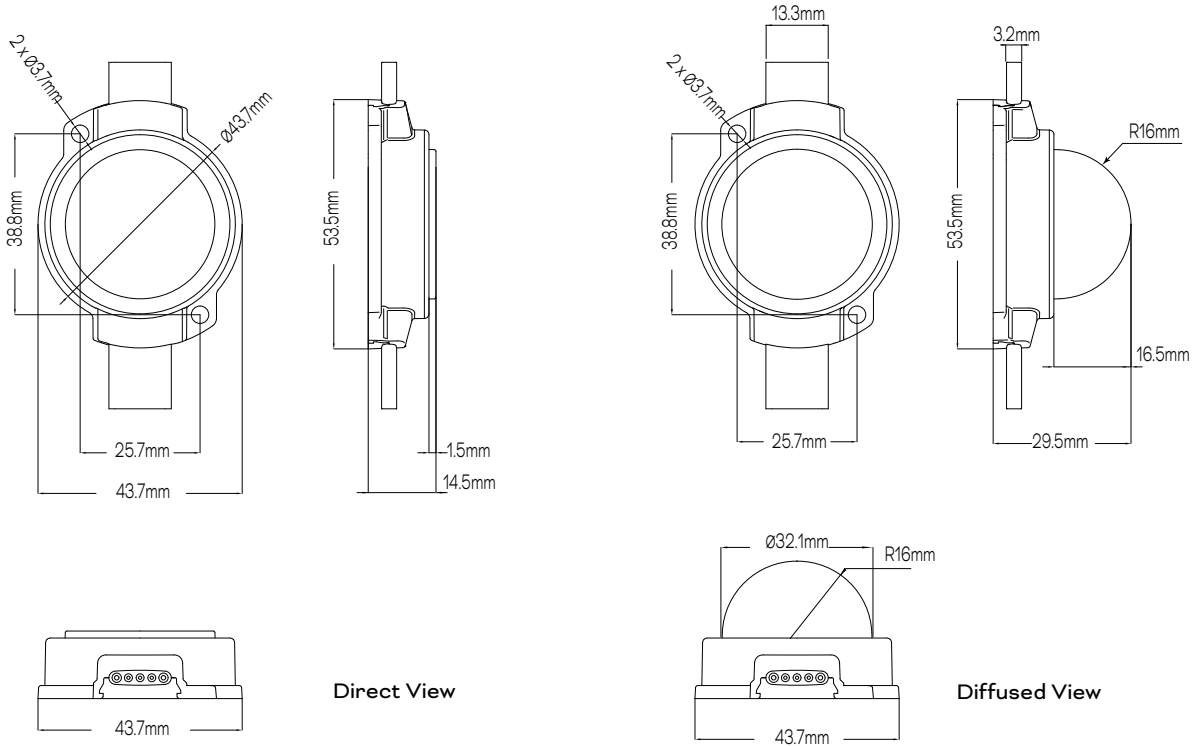
- Horiz. Spread: 141.0°
- Vert. Spread: 138.6°

For fc divide by 10.7

IES and LDT files are available for download from the Traxon website.

For feet multiply by 3.28

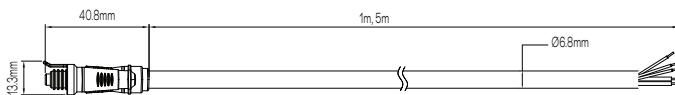
Fixture Dimensions



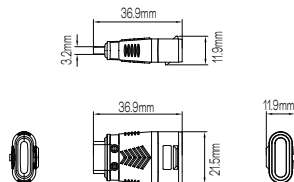
Accessories Dimensions

Starter Cable 1m (DA23100131055)

Starter Cable 5m (DA23100131155)

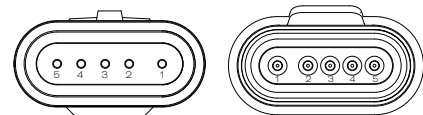


End Cap (DA23100131255)



Connector Pin Assignment

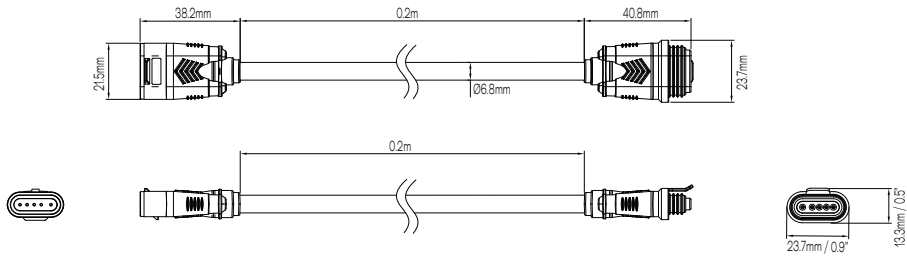
Input Output



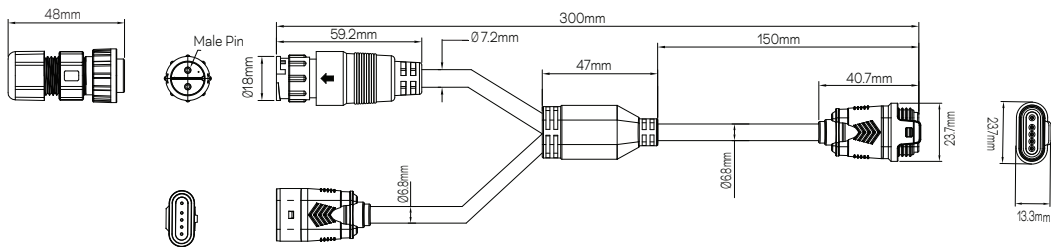
Wire#	Description	Color
1	Power+	Red
2	DMX-	Yellow
3	DMX+	Blue
4	Address	Green
5	Power-	Black

Accessories Dimensions

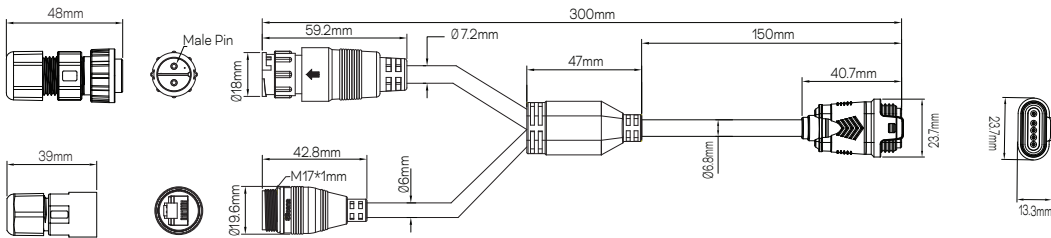
Interconnection Cable (DA23100131355)



Power Injector Cable Kit (DA23100131455)

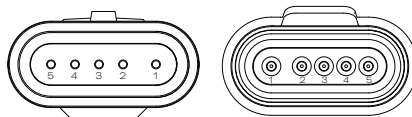


Power RJ45 Cable Kit (DA23100131555)



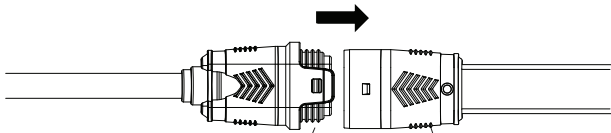
Connector Pin Assignment

Input Output

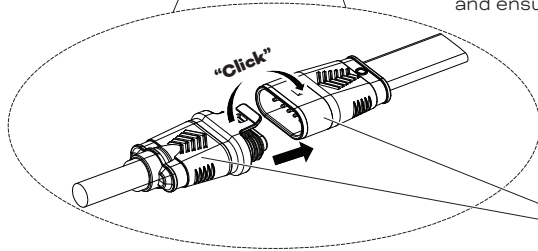


Wire#	Description	Color
1	Power+	Red
2	DMX-	Yellow
3	DMX+	Blue
4	Address	Green
5	Power-	Black

Cable Connection

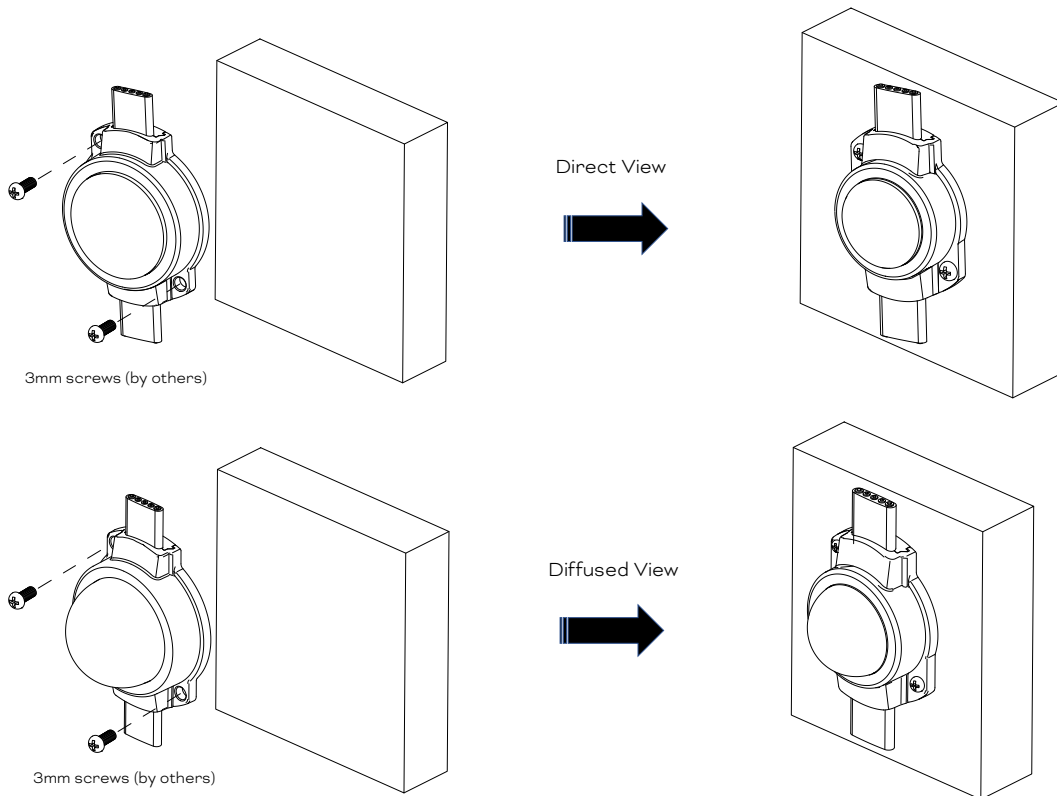


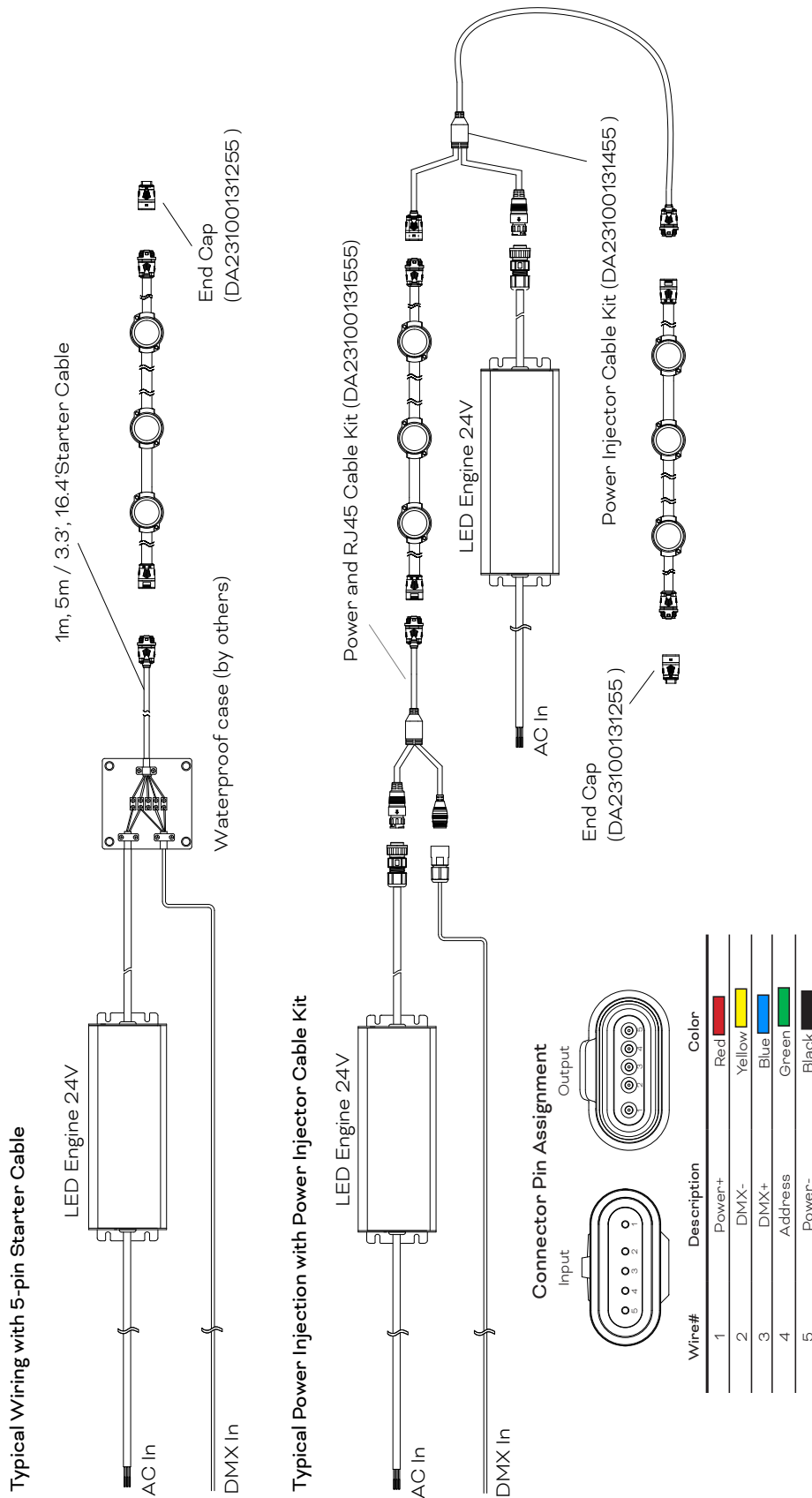
If you do not hear the “click”, pull connector manually to lock the connectors and ensure that they are properly mated to protect from water ingress.



Please note the direction of connection. Do not connect in reverse.

Dot Mounting





The Address wire only need to be connected during address configuration, it is not needed during operation. This wiring diagram shows only typical connections. Actual wiring depends on Media Dot Go configuration and installation. Actual no. vary according to cable lengths and signal source. Please consult your local Traxon office for aid.

Fixtures

Model No.	Description	Item Code
DO.GM.2110010	MEDIA DOT GO M RGB CLEAR 70PXL 150PP 0.3M WHITE 24V	DL23100129255
DO.GM.2210010	MEDIA DOT GO M RGB DOME 70PXL 150PP 0.3M WHITE 24V	DL23100129355
DO.GM.1110010	MEDIA DOT GO M RGBW CLEAR 55PXL 150PP 0.3M WHITE 24V	DL23100129455
DO.GM.1210010	MEDIA DOT GO M RGBW DOME 55PXL 150PP 0.3M WHITE 24V	DL23100129555
DO.GM.3110010	MEDIA DOT GO M DW CLEAR 55PXL 150PP 0.3M WHITE 24V	DL23100129655
DO.GM.3210010	MEDIA DOT GO M DW DOME 55PXL 150PP 0.3M WHITE 24V	DL23100129755

TX Connect

Model No.	Description	Item Code
N / A	MEDIA DOT GO STARTER CABLE 5-WIRE 1M ROUND WHITE	DA23100131055
N / A	MEDIA DOT GO STARTER CABLE 5-WIRE 5M ROUND WHITE	DA23100131155
N / A	MEDIA DOT GO END CAP WHITE	DA23100131255
N / A	MEDIA DOT GO INTERCONNECTION CABLE 5-WIRE 0.2M ROUND WHITE	DA23100131355
N / A	MEDIA DOT GO POWER INJECTOR CABLE KIT BLACK	DA23100131455
N / A	MEDIA DOT GO POWER AND RJ45 CABLE KIT BLACK	DA23100131555

TX Control

Model No.	Description	Item Code
N / A	LED ENGINE 100W 24V OUTDOOR	AM175860055
N / A	LED ENGINE 185W 24V OUTDOOR	AM175880055
N / A	LED ENGINE 320W 24V OUTDOOR	AM175900055
EN.BP.0000100	BUTLER PRO DMX/RDM	AA628600035
EN.BX.0000001	BUTLER XT2	AA557270131
EN.BU.0000001	BUTLER S2	AB436200031
AC.BG.0000001	BUTLER S2 GARAGE (OPTIONAL)	AA611800031
N / A	LCE3FX e:cue	AM368100135
N / A	LCE3 e:cue	AM368100035
N / A	SYMPL CORE S	AB447060035
N / A	SYMPL CORE SP	AM430280035
N / A	e:cue LIGHTING CONTROL ENGINE 3 MX WITH CE	AS086160055
N / A	E:CUE SYMPL DMX NODE	AB444180035

