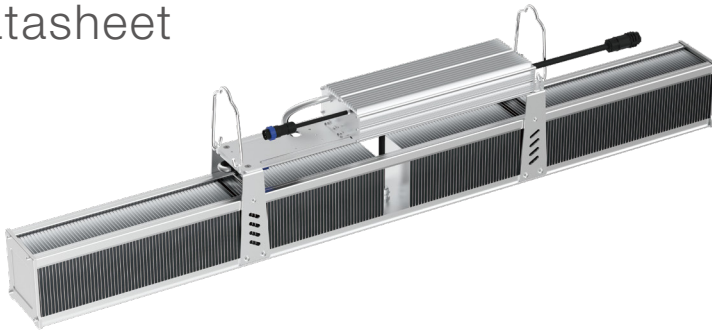


## LED GREENHOUSE TOP LIGHTING OPTV Linear SK04

### Datasheet



OPTV Linear SK04-480W & 600W is designed for greenhouse supplemental lighting with slim and compact liner structure and patented unibody heat-sink design, it delivers high light output with market leading efficacy up to 3.2  $\mu\text{mol}/\text{J}$ , helping maximize crop growth in greenhouse while do not block the sunlight.

### Benefits

- IP66 for long time working in damp environment
- Patented unibody heat-sink design, greatly improves the heat dissipation capability
- High and efficacy light output with market leading efficacy up to 3.2  $\mu\text{mol}/\text{J}$
- Optimum K3 Spectrum features two narrow spectral bands that maximize energy efficiency for fruit and veg growing
- Slim and compact design contribute to a reduced shadow on plants, perfect for greenhouse supplemental lighting
- Quick and easy installation to save much time and labor cost
- Supporting daisy chain and 0-10 V dimming

### Applications

- Greenhouse growing for high-wire tomatoes and cucumbers
- Leafy greens and herbs growing
- Soft fruits and floriculture

# LED GREENHOUSE TOP LIGHTING OPTV Linear SK04

## Technical Data

### Optical Specifications

	OPTV Linear SK04	OPTV Linear SK04
Power	480 W	600 W
Luminous Flux (lm)	16467 lm±10%	16535 lm±10%
Efficacy	34.6 lm/w	27.9 lm/w
CCT	1001K; 99440 K	1001K; 99440 K
CRI	CRI 26; CRI 1.2	CRI 26; CRI 1.2
SDCM	/	/
Beam Angle	120°	120°

### Electrical and Mechanical Specifications

Input Voltage	277-480 V AC 50/60Hz	277-480 V AC 50/60Hz
Power Consumption	480 W	600 W
Power Factor	≥ 0.95	≥ 0.95
Surge protection	L-N:4KV, LN-G:6KV	L-N:4KV, LN-G:6KV
Dimension (mm)	1072.4 × 98.6 × 188.1	1072.4 × 98.6 × 188.1
Weight (kg)	8.0 Kg	8.05 Kg
Optical	Conformal Coating	Conformal Coating
Housing	Aluminum	Aluminum
Color	Silvery	Silvery

### System Specifications

Power	AC power, 277-480 V AC 50/60Hz
Control	0-10V
Mounting	Hanging
Operating Temperature	-20°C to + 40°C
Storage Temperature	-20°C to + 60°C
Environment	Indoor, IP66
Lumen Maintenance	5 years warranty version: 36000H @ L70B50
Safety Approval	UL 8800, UL 1598 Wet-Location Rated, CE

Due to the special conditions of manufacturing process of LED, the typical data of technical parameters can only reflect statistical figures and do not necessarily correspond to the actual parameters of each single product which could differ from typical data.

Exceeding maximum ratings for operation voltage will cause hazardous overload and will likely destroy the LED module.

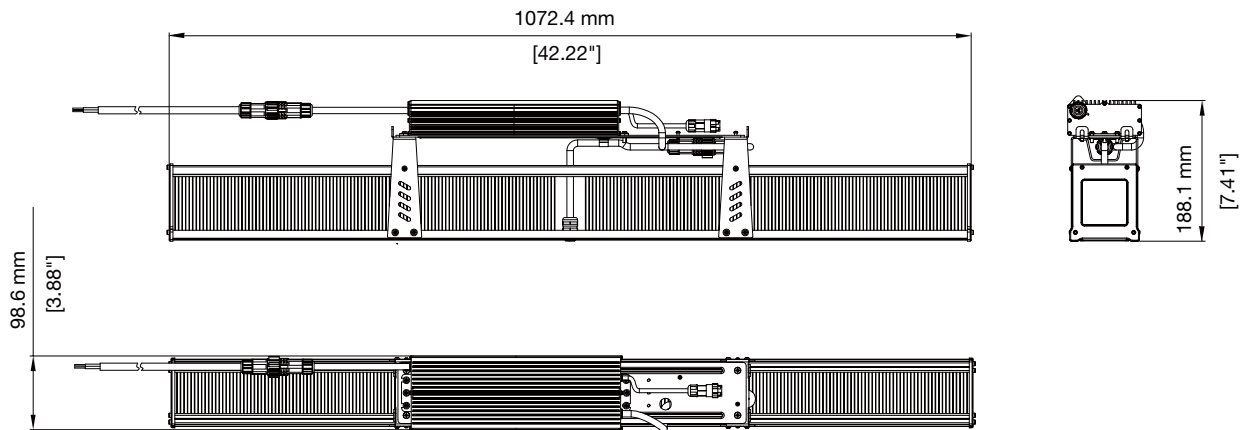
Exceeding maximum ratings for operation and storage temperature will reduce expected life time or destroy the LED module.

V1.1 05/23: Official authorized licensee of the OSRAM trademark.  
Specifications are subject to change without notice. Errors and omission excepted, always make sure to use the most recent release.

# LED GREENHOUSE TOP LIGHTING OPTV Linear SK04

Dimensions (Unit: mm)

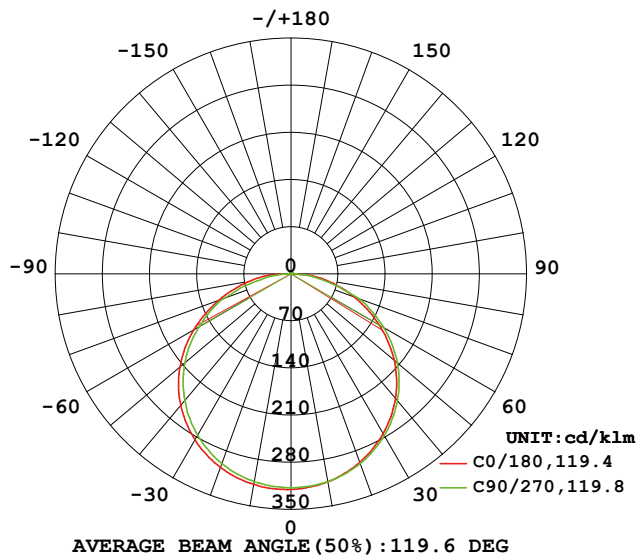
OPTV Linear SK04 480W/600W



# LED GREENHOUSE TOP LIGHTING OPTV Linear SK04

## Photometrics

### Light Distribution Curve



Due to the manufacturing processes of LED, the polar candela distribution and distance luminaries only reflect statistical figures and do not necessarily correspond to the actual parameters of individual product that may differ from the typical values.

V1.1 05/23: Official authorized licensee of the OSRAM trademark.  
Specifications are subject to change without notice. Errors and omission excepted, always make sure to use the most recent release.

# LED GREENHOUSE TOP LIGHTING OPTV Linear SK04

## Ordering Codes

### Fixture

Short Text	Power	CCT	Warranty	IC
OPTV Linear SK04 480W	480 W	1001K; 99440K	5 years	GL23100108655
OPTV Linear SK04 600W	600 W	1001K; 99440K	5 years	GL23100108755