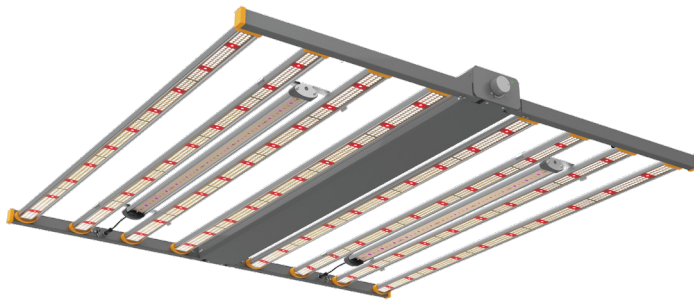


# LED Grow Light OPTV Panel Highbay MB04S

## Datasheet



The Most Innovative LED Grow Light Group in the Market. Wireless and Automatic Net Working. It's the best choice for large scale commercial growth.

### Benefits

- Automatic net working by WiFi MESH technology available in wireless connection
- Daisy chainable -- up to 200 light fixtures by wireless connection & 100 PCS by wired connection
- Wattage dimmable and spectrum tunable, different wattage, different spectrum
- Top-ranking white chips and Osram red chips
- High efficacy up to 2.8  $\mu\text{mol}/\text{J}$ , and the PPF up to 2184  $\mu\text{mol}/\text{s}$
- UV+IR add-on detachable
- Embedded friction mechanism allows the fixture to be hold still at any angle
- Easy installation, just plug and play
- 4 Spectrum available, flexible to change spectrum from vegetative to bloom stage
- Sunrise and sunset model

### Applications

- Suitable for planting greenhouses, planting factories, circular art planting, planting enthusiasts, and indoor planting places.

# LED Grow Light OPTV Panel Highbay MB04S

## Technical Data

---

### Optical Specifications

	OPTV Panel Highbay MB04S
Power	880 W
Luminous Flux (lm)	121709 lm±10%
Efficacy	156.9 lm/w
CCT	4000K; 1001K
CRI	CRI 80; CRI 26
SDCM	/
Beam Angle	120°

---

### Electrical and Mechanical Specifications

Input Voltage	120-277 V AC 50/60Hz
Power Consumption	880 W
Power Factor	≥ 0.9
Surge protection	L-N:4KV, LN-G:6KV
Dimension (mm)	1140 × 1080 × 70
Weight (kg)	14.7Kg
Optical	/
Housing	Aluminum
Color	White or grey

---

### System Specifications

Power	AC power, 120-277V, 277-480 V AC 50/60Hz
Control	0-10V
Mounting	Hanging
Operating Temperature	-20°C to + 40°C
Storage Temperature	-20°C to + 60°C
Environment	Indoor
Lumen Maintenance	5 years warranty version: 36000H @ L70B50
Safety Approval	UL 8800, UL 1598, CE

Due to the special conditions of manufacturing process of LED, the typical data of technical parameters can only reflect statistical figures and do not necessarily correspond to the actual parameters of each single product which could differ from typical data.

Exceeding maximum ratings for operation voltage will cause hazardous overload and will likely destroy the LED module.

Exceeding maximum ratings for operation and storage temperature will reduce expected life time or destroy the LED module.

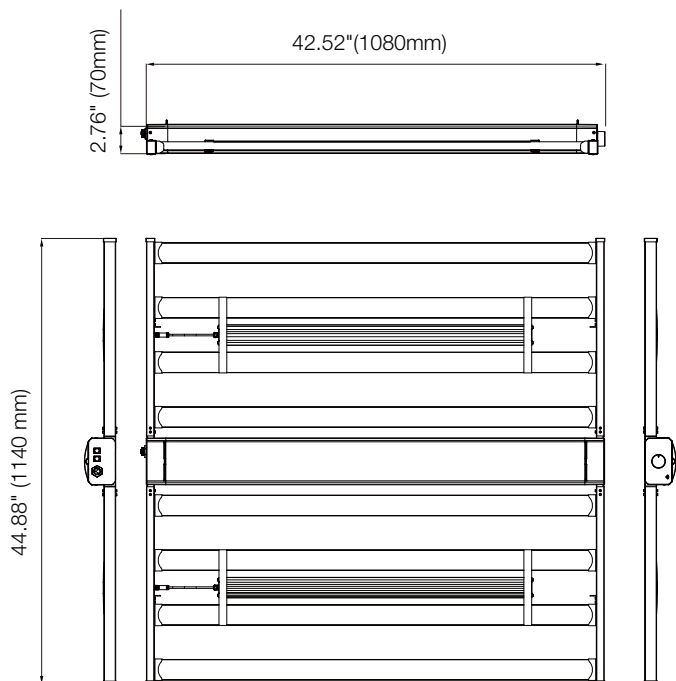
V1.1 05/23: Official authorized licensee of the OSRAM trademark.

Specifications are subject to change without notice. Errors and omission excepted, always make sure to use the most recent release.

# LED Grow Light OPTV Panel Highbay MB04S

Dimensions (Unit: mm)

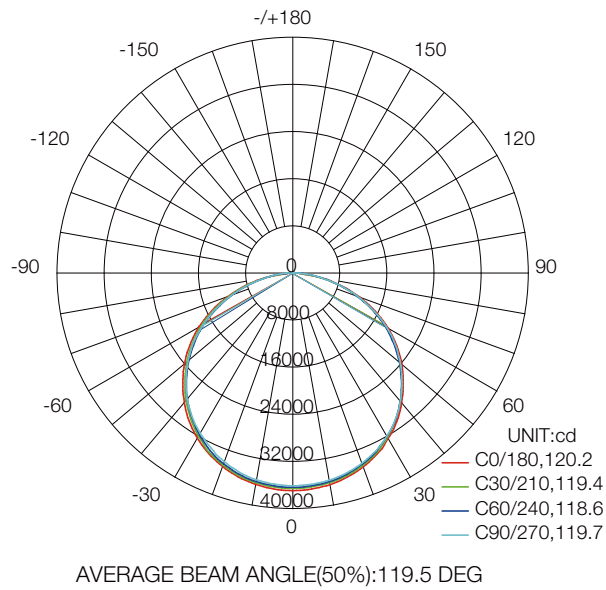
OPTV Panel Highbay MB04S 880W



# LED Grow Light OPTV Panel Highbay MB04S

## Photometrics

### Light Distribution Curve



Due to the manufacturing processes of LED, the polar candela distribution and distance luminaries only reflect statistical figures and do not necessarily correspond to the actual parameters of individual product that may differ from the typical values.

V1.1 05/23: Official authorized licensee of the OSRAM trademark.  
Specifications are subject to change without notice. Errors and omission excepted, always make sure to use the most recent release.

# LED Grow Light OPTV Panel Highbay MB04S

## Ordering Codes

**Fixture**

Short Text	Power	CCT	Warranty	IC
OPTV Panel Highbay MB04S	880W	4000K; 1001K	5 years	GL23100109455

