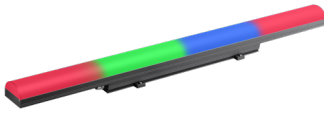


Project: \_\_\_\_\_  
 Type: \_\_\_\_\_



## ProPoint Kontour Round Narrow RGB

The Traxon ProPoint Kontour is an AC line powered exterior luminaire used to distinguish facades, walls, and architectural borders with a concentrated, even radiance. ProPoint Kontour's compact, lowprofile design is available in four lengths, two widths and is combined with a clip mounting system for efficient installation.



### Product Specifications

	300mm	600mm	1200mm	2400mm
<b>Model</b>	Kontour Round Narrow			
<b>Light Source</b>	RGB			
<b>LED Quantity</b>	RGB x 30pcs	RGB x 60pcs	RGB x 120pcs	RGB x 240pcs
<b>Pixel Options</b>	1PXL	1PXL or 2PXL	1PXL, 2PXL or 4PXL	1PXL, 2PXL, 4PXL or 8PXL
<b>Beam Angle</b>	100° x 125°			
<b>Luminous Flux</b>	75 lm	149 lm	298 lm	596 lm
<b>Efficacy</b>	18 lm/W			
<b>Lumen Maintenance</b>	L70 @25°C 81,000hrs			
<b>Cover Lens</b>	Round diffused UV stable acrylic			
<b>Housing</b>	Extruded aluminum			
<b>Housing Finish Options</b>	Gray (RAL7015), Black (RAL9005), White (RAL9003)			
<b>Mounting</b>	Low Profile Mounting Brackets (x2 per length)			
<b>Dimensions (L)</b>	300mm / 11.8"	600mm / 23.6"	1200mm / 47.2"	2400mm / 94.5"
<b>(W x H)</b>	47.4mm x 69.5mm / 1.9" x 2.7"			
<b>Weight</b>	0.96 kg / 2.12 lbs.	1.34 kg / 2.95 lbs.	2.32 kg / 5.11 lbs.	4.06 kg / 8.95 lbs.
<b>EPA (sq.ft)</b>	<b>Front</b>	0.037		
	<b>Side</b>	0.298	0.455	0.913
	<b>Front 45°</b>	0.2107	0.3217	0.6455
<b>Regulatory Listing &amp; Safety Approval</b>	CE, IEC 60598-2-3, 3G ANSI C136.31, IK08			
<b>Operating Temperature</b>	-30°C to +55°C / -22°F to +131°F			
<b>Storage Temperature</b>	-40°C to +80°C / -40°F to +176°F			
<b>Environment</b>	Outdoor (IP66), suitable for coastal environments			
<b>Humidity</b>	85%, non-condensing			

### Electrical Specifications

<b>Input Voltage</b>	220-240V AC 50/60Hz			
<b>Power Consumption</b>	4W	8W	16W	32W
<b>Power Factor</b>	≥ 0.9			

### System Specifications

<b>Control</b>	DMX 512
<b>Power Supply</b>	Integral
<b>Addressing Options</b>	Auto-Addressed with Data Injector
<b>Pixel Control</b>	Standard luminaire controlled by 300mm / 12". Factory configurable pixel control on request, check with your local sales office for more information.

**LED CHARACTERISTICS** Because LEDs are semiconductor devices, their performances are subject to inherent variability commonly found in semiconductor industry. To improve consistency in performance across the same product, LED manufacturers "sort" LEDs into bins according to different preset parameters, such as forward driving voltage, illumination, etc. Whereas binning is a sorting function, it is not a correction process. Inherent variability in the manufacturing process results always in different binning distributions according to different production lots. Traxon uses automatically binned LEDs on its products, thereby minimizing output variations within the model range.

As with all electronic devices, LED output degrades over time – a term called lumen depreciation. This also explains why it is nearly impossible to expect photometric performances of two LED products with different service life spans to be the same. The rate of LED degrade is a complicate function of many factors such as operating efficiency, duration of continuous operation, and more significantly, environmental conditions (ambient temperature for example). If allowed working under optimal operating temperature range and with good ventilation, LED devices enjoy long service lives over conventional light sources. When using/installing LED devices, care should be taken to ensure that the devices will operate within the operating conditions specified in respective product literature.

Lumen measurement complies with LM-79-08 standard.  
 Lumen maintenance is calculated based on LM-80 compliant measurement.

[www.traxontechnologies.com](http://www.traxontechnologies.com) | [www.osram.us/traxon](http://www.osram.us/traxon)

©2021 TRAXON TECHNOLOGIES - AN OSRAM BUSINESS. ALL RIGHTS RESERVED. TRAXON™, TX CONNECT®, ARE TRADEMARKS OF TRAXON TECHNOLOGIES. U.S. PATENTS, E.U. PATENTS, JAPAN PATENTS, OTHER PATENTS PENDING. SPECIFICATIONS ARE SUBJECT TO CHANGE WITHOUT NOTICE.

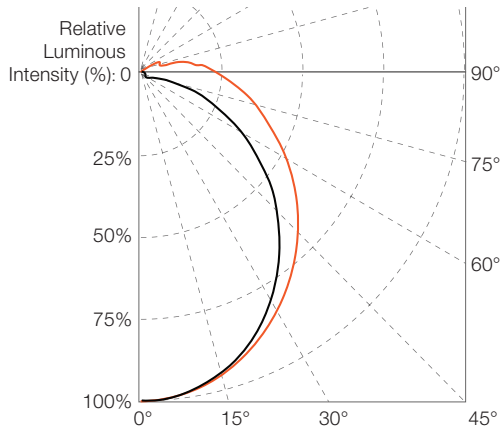
# ProPoint Kontour Round Narrow RGB

## Photometrics

### Source Specifications

Optics 100° x 125°

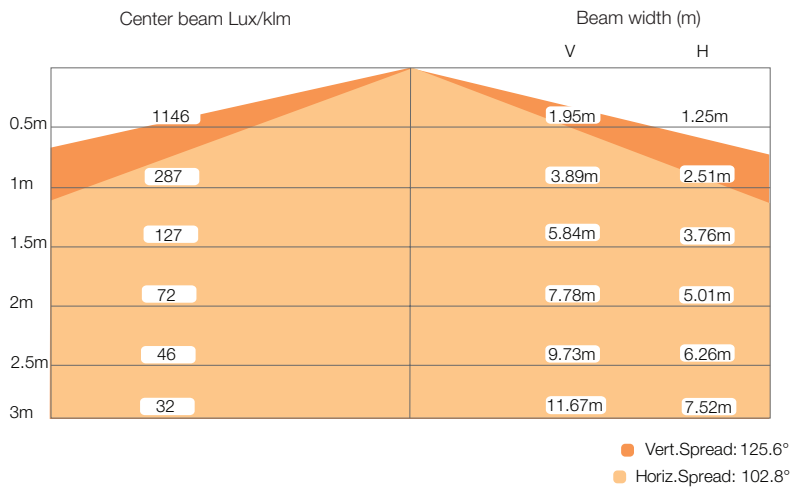
### Candela Distribution



### Light Output

Color	Luminous Flux (lm)	Efficacy (lm/W)
<b>300mm</b>		
RGB (full-on)	74.6	17.8
Red	18.6	10.8
Green	46.8	27.3
Blue	9.4	5.4
<b>600mm</b>		
RGB (full-on)	148.9	17.8
Red	37.0	10.7
Green	93.5	27.0
Blue	18.8	4.9
<b>1200mm</b>		
RGB (full-on)	297.7	17.8
Red	73.8	10.9
Green	187.0	27.1
Blue	37.7	5.6
<b>2400mm</b>		
RGB (full-on)	595.5	17.8
Red	147.5	10.9
Green	373.7	27.4
Blue	74.8	5.5

### Illuminance at a Distance



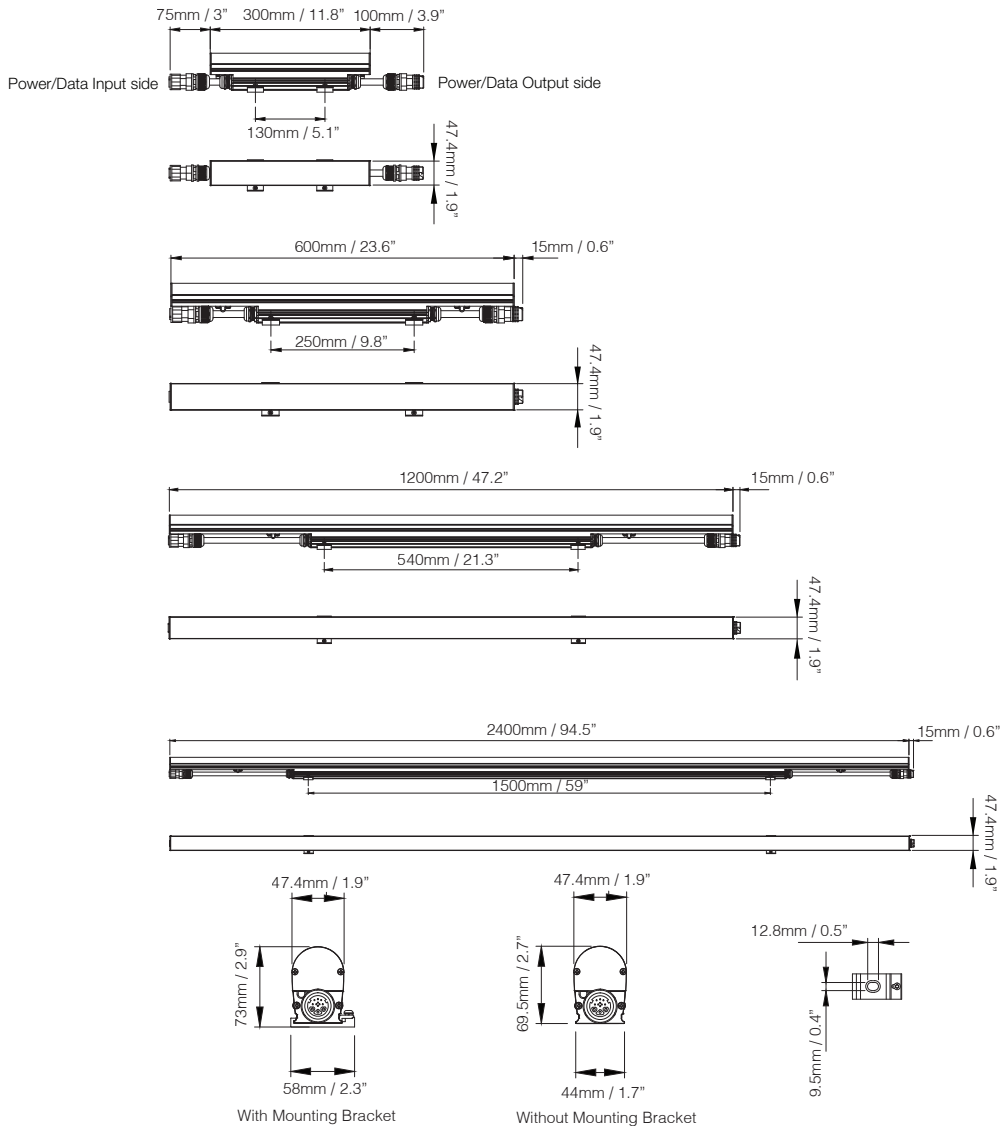
For fc (foot candle) divide by 10.7

For feet multiply by 3.28

IES and LDT files are available for download from the Traxon website.

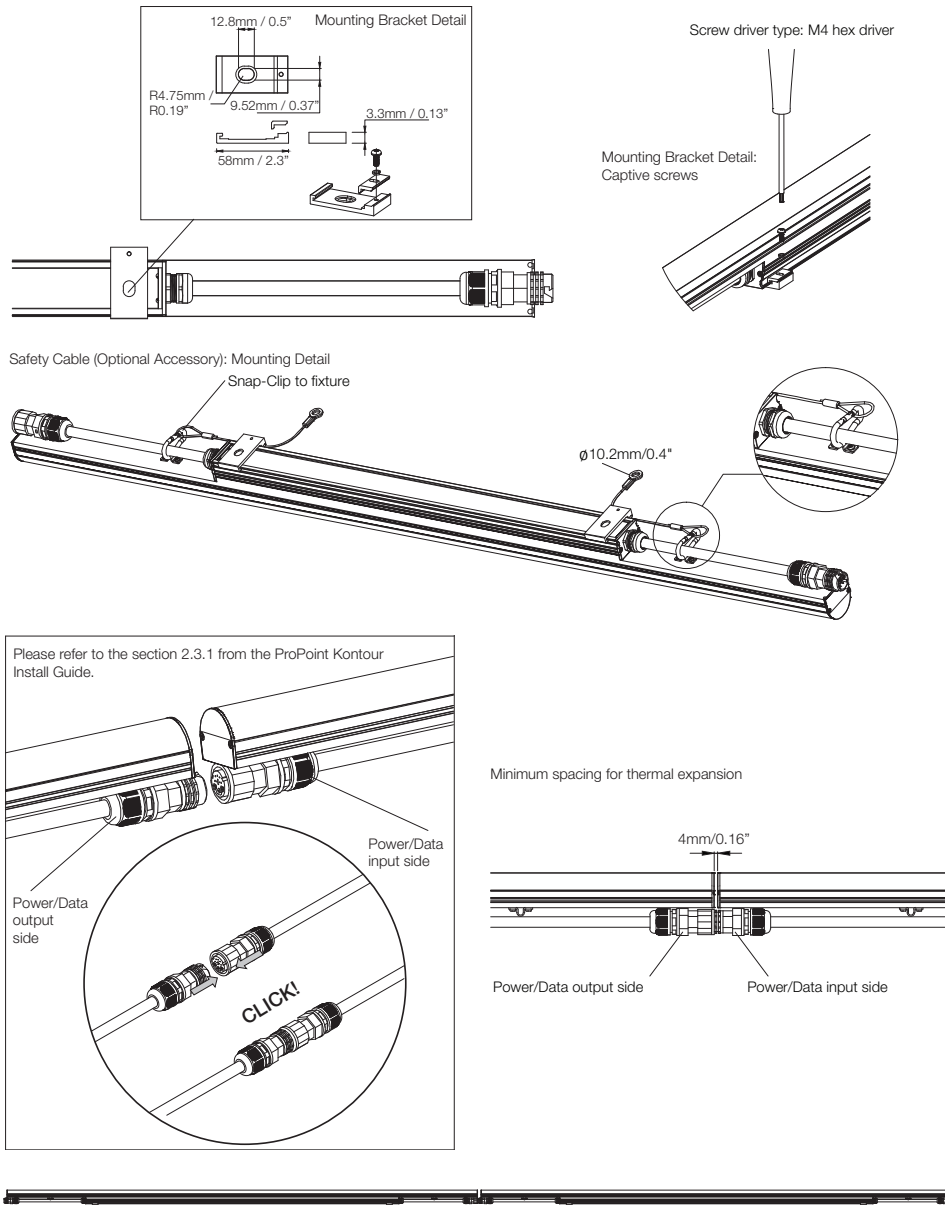
# ProPoint Kontour Round Narrow RGB

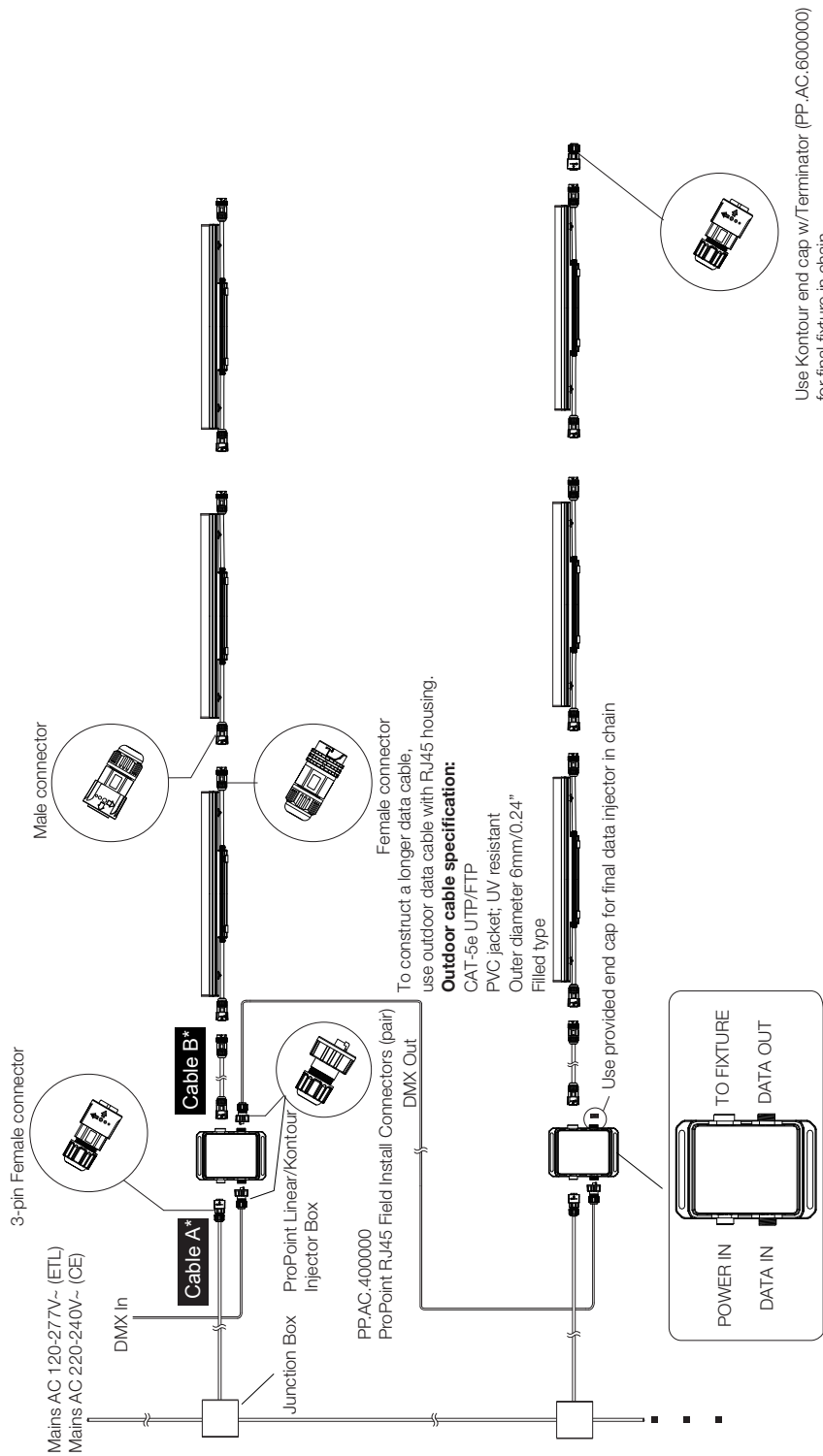
## Dimensions



# ProPoint Kontour Round Narrow RGB

## Mounting





1. All ordering information of accessories can be referred to next page.
  2. All interconnection information can be referred to next page.
- \* Cable A; Cable B: Please refer to System Diagram Accessories table for options.

### Wiring Information Details

#### ProPoint Kontour Narrow -CE

220V-240V

Model	Power Consumption (Typ.)	Input Voltage	Max Connected Chain
300mm	4W	220-240V	512
600mm	8W	220-240V	400
1200mm	16W	220-240V	200
2400mm	32W	220-240V	100

#### Accessories (ETL / CE)

Model No.	Description	Item Code
PP.AC.100001	ProPoint Linear/Kontour Injector Box	AM374890055
PP.AC.100002	ProPoint Linear/Kontour Injector Box BL	AM374900055
PP.AC.100003	ProPoint Linear/Kontour Injector Box WT	AM374910055
PP.AC.600000	PP LIN/KON End Cap W / TERM.	AM380550055
PP.AC.400000	ProPoint RJ45 Field Install Connectors (pair)	AM380560055

#### Accessories (CE)

Cable Type	Model No.	Description	Item Code
Cable A*	PP.A2.303000	3M PP Linear Power Input Cable CE	AM374840055
Cable B*	KO.KB.610000	10M Kontour PWR/DATA INT CBL CE	AM357520155
Cable B*	KO.KB.601000	1M Kontour PWR/DATA INT CBL CE	AM357490155
Cable B*	KO.KB.602000	2M Kontour PWR/DATA INT CBL CE	AM357500155
Cable B*	KO.KB.603000	3M Kontour PWR/DATA INT CBL CE	AM357510155

\* All cables come pre-wired with male / female connectors.

# ProPoint Kontour Round Narrow RGB

Ordering

## Model Number

KXX	.	2	.	9	A	0	6	2	.	X	.	XX
Kontour Length	Width	Control	Color	CCT	Approbation	Lens	Finish	Pixel Config				
K1L: 300mm	2: Narrow	9: DMX	A: RGB		6: CE	2: Diffused Round Lens	1: Gray	01: 1PXL				
K2L: 600mm							2: Black	02: 2PXL				
K4L: 1200mm							3: White	04: 4PXL				
K8L: 2400mm								08: 8PXL				

## \*Abbreviations in Description

WD: Wide      NW: Narrow      R: Round      BL: Black      WT: White

## Fixtures

Model No.	Description	Item Code
<b>K1L.2.9A0621.01</b>	ProPoint Kontour R 0.3 NW RGB 1PXL CE	AM403940055
<b>K2L.2.9A0621.01</b>	ProPoint Kontour R 0.6 NW RGB 1PXL CE	AM403960055
<b>K2L.2.9A0621.02</b>	ProPoint Kontour R 0.6 NW RGB 2PXL CE	AM404720055
<b>K4L.2.9A0621.01</b>	ProPoint Kontour R 1.2 NW RGB 1PXL CE	AM403980055
<b>K4L.2.9A0621.04</b>	ProPoint Kontour R 1.2 NW RGB 4PXL CE	AM404740055
<b>K8L.2.9A0621.01</b>	ProPoint Kontour R 2.4 NW RGB 1PXL CE	AM404000055
<b>K8L.2.9A0621.08</b>	ProPoint Kontour R 2.4 NW RGB 8PXL CE	AM404760055
<b>K1L.2.9A0622.01</b>	ProPoint Kontour R 0.3 NW RGB 1PXL BL CE	AM404020055
<b>K2L.2.9A0622.01</b>	ProPoint Kontour R 0.6 NW RGB 1PXL BL CE	AM404040055
<b>K2L.2.9A0622.02</b>	ProPoint Kontour R 0.6 NW RGB 2PXL BL CE	AM404780055
<b>K4L.2.9A0622.01</b>	ProPoint Kontour R 1.2 NW RGB 1PXL BL CE	AM404060055
<b>K4L.2.9A0622.04</b>	ProPoint Kontour R 1.2 NW RGB 4PXL BL CE	AM404800055
<b>K8L.2.9A0622.01</b>	ProPoint Kontour R 2.4 NW RGB 1PXL BL CE	AM404080055
<b>K8L.2.9A0622.08</b>	ProPoint Kontour R 2.4 NW RGB 8PXL BL CE	AM404820055
<b>K1L.2.9A0623.01</b>	ProPoint Kontour R 0.3 NW RGB 1PXL WT CE	AM404100055
<b>K2L.2.9A0623.01</b>	ProPoint Kontour R 0.6 NW RGB 1PXL WT CE	AM404120055
<b>K2L.2.9A0623.02</b>	ProPoint Kontour R 0.6 NW RGB 2PXL WT CE	AM404840055
<b>K4L.2.9A0623.01</b>	ProPoint Kontour R 1.2 NW RGB 1PXL WT CE	AM404140055
<b>K4L.2.9A0623.04</b>	ProPoint Kontour R 1.2 NW RGB 4PXL WT CE	AM404860055
<b>K8L.2.9A0623.01</b>	ProPoint Kontour R 2.4 NW RGB 1PXL WT CE	AM404160055
<b>K8L.2.9A0623.08</b>	ProPoint Kontour R 2.4 NW RGB 8PXL WT CE	AM404880055

## ProPoint Kontour Round Narrow RGB

Ordering

### Accessories (ETL / CE)

Model No.	Description	Item Code
PP.AC.100001	ProPoint Linear/Kontour Injector Box	AM374890055
PP.AC.100002	ProPoint Linear/Kontour Injector Box BL	AM374900055
PP.AC.100003	ProPoint Linear/Kontour Injector Box WT	AM374910055
PP.AC.600000	PP LIN/KON End Cap W / TERM.	AM380550055
PP.AC.400000	ProPoint RJ45 Field Install Connectors (pair)	AM380560055

### Accessories (CE)

Model No.	Description	Item Code
PP.A2.303000	3M PP Linear Power Input Cable CE	AM374840055
KO.KB.610000	10M Kontour PWR/DATA INT CBL CE	AM357520155
KO.KB.601000	1M Kontour PWR/DATA INT CBL CE	AM357490155
KO.KB.602000	2M Kontour PWR/DATA INT CBL CE	AM357500155
KO.KB.603000	3M Kontour PWR/DATA INT CBL CE	AM357510155

### Accessories (Optional)

Model No.	Description	Item Code
KO.AA.900010	Kontour Safety Cable 0.25M (10")	AM403000055

Our Brands

traxon e:cue

OSRAM

©2021 TRAXON TECHNOLOGIES - AN OSRAM BUSINESS. ALL RIGHTS RESERVED. TRAXON™, TX CONNECT®, ARE TRADEMARKS OF TRAXON TECHNOLOGIES. U.S. PATENTS, E.U. PATENTS, JAPAN PATENTS, OTHER PATENTS PENDING. SPECIFICATIONS ARE SUBJECT TO CHANGE WITHOUT NOTICE.