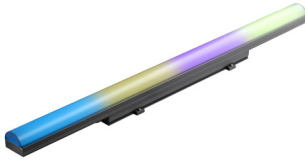


Project: \_\_\_\_\_  
 Type: \_\_\_\_\_



## ProPoint Kontour Round Wide RGB

The Traxon ProPoint Kontour is an AC line powered exterior luminaire used to distinguish facades, walls, and architectural borders with a concentrated, even radiance. ProPoint Kontour's compact, lowprofile design is available in four lengths, two widths and is combined with a clip mounting system for efficient installation.



### Product Specifications

	300mm	600mm	1200mm	2400mm
<b>Model</b>	Kontour Round Wide			
<b>Light Source</b>	RGB			
<b>LED Quantity</b>	RGB x 30pcs	RGB x 60pcs	RGB x 120pcs	RGB x 240pcs
<b>Pixel Options</b>	1PXL	1PXL or 2PXL	1PXL, 2PXL or 4PXL	1PXL, 2PXL, 4PXL or 8PXL
<b>Beam Angle</b>	100° x 125°			
<b>Luminous Flux</b>	102 lm	205 lm	410 lm	817 lm
<b>Efficacy</b>	20 lm/W			
<b>Lumen Maintenance</b>	L70 @25°C 81,000hrs			
<b>Cover Lens</b>	Round diffused UV stable acrylic			
<b>Housing</b>	Extruded aluminum			
<b>Housing Finish Options</b>	Gray (RAL7015), Black (RAL9005), White (RAL9003)			
<b>Mounting</b>	Low Profile Mounting Brackets (x2 per length)			
<b>Dimensions (L)</b>	300mm / 11.8"	600mm / 23.6"	1200mm / 47.2"	2400mm / 94.5"
<b>(W x H)</b>	75mm x 89.4mm / 3" x 3.5"			
<b>Weight</b>	1.35 kg / 2.98 lbs.	1.86 kg / 4.10 lbs.	3.11 kg / 6.86 lbs.	5.42 kg / 11.95 lbs.
<b>EPA (sq.ft)</b>	<b>Front</b>	0.078		
	<b>Side</b>	0.392	0.630	1.173
	<b>Front 45°</b>	0.2771	0.4454	0.8293
<b>Regulatory Listing &amp; Safety Approval</b>	CE, IEC 60598-2-3, 3G ANSI C136.31, IK07			
<b>Operating Temperature</b>	-30°C to +55°C / -22°F to +131°F			
<b>Storage Temperature</b>	-40°C to +80°C / -40°F to +176°F			
<b>Environment</b>	Outdoor (IP66), suitable for coastal environments			
<b>Humidity</b>	85%, non-condensing			

### Electrical Specifications

<b>Input Voltage</b>	220-240V AC 50/60Hz			
<b>Power Consumption</b>	5W	10W	20W	40W
<b>Power Factor</b>	≥ 0.9			

### System Specifications

<b>Control</b>	DMX 512
<b>Power Supply</b>	Integral
<b>Addressing Options</b>	Auto-Addressed with Data Injector
<b>Pixel Control</b>	Standard luminaire controlled by 300mm / 12". Factory configurable pixel control on request, check with your local sales office for more information.

**LED CHARACTERISTICS** Because LEDs are semiconductor devices, their performances are subject to inherent variability commonly found in semiconductor industry. To improve consistency in performance across the same product, LED manufacturers "sort" LEDs into bins according to different preset parameters, such as forward driving voltage, illumination, etc. Whereas binning is a sorting function, it is not a correction process. Inherent variability in the manufacturing process results always in different binning distributions according to different production lots. Traxon uses automatically binned LEDs on its products, thereby minimizing output variations within the model range.

As with all electronic devices, LED output degrades over time – a term called lumen depreciation. This also explains why it is nearly impossible to expect photometric performances of two LED products with different service life spans to be the same. The rate of LED degrade is a complicate function of many factors such as operating efficiency, duration of continuous operation, and more significantly, environmental conditions (ambient temperature for example). If allowed working under optimal operating temperature range and with good ventilation, LED devices enjoy long service lives over conventional light sources. When using/installing LED devices, care should be taken to ensure that the devices will operate within the operating conditions specified in respective product literature.

Lumen measurement complies with LM-79-08 standard.  
 Lumen maintenance is calculated based on LM-80 compliant measurement.

[www.traxontechnologies.com](http://www.traxontechnologies.com) | [www.osram.us/traxon](http://www.osram.us/traxon)

©2021 TRAXON TECHNOLOGIES - AN OSRAM BUSINESS. ALL RIGHTS RESERVED. TRAXON™, TX CONNECT®, ARE TRADEMARKS OF TRAXON TECHNOLOGIES. U.S. PATENTS, E.U. PATENTS, JAPAN PATENTS, OTHER PATENTS PENDING. SPECIFICATIONS ARE SUBJECT TO CHANGE WITHOUT NOTICE.

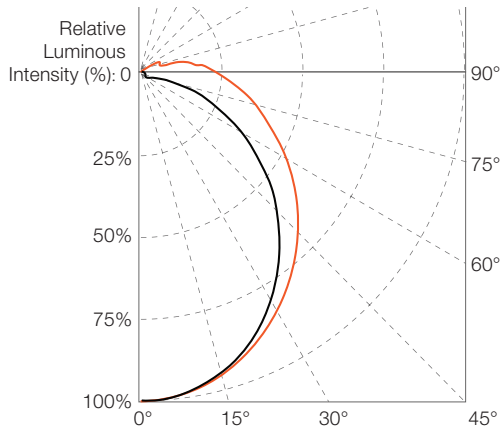
# ProPoint Kontour Round Wide RGB

## Photometrics

### Source Specifications

Optics 100° x 125°

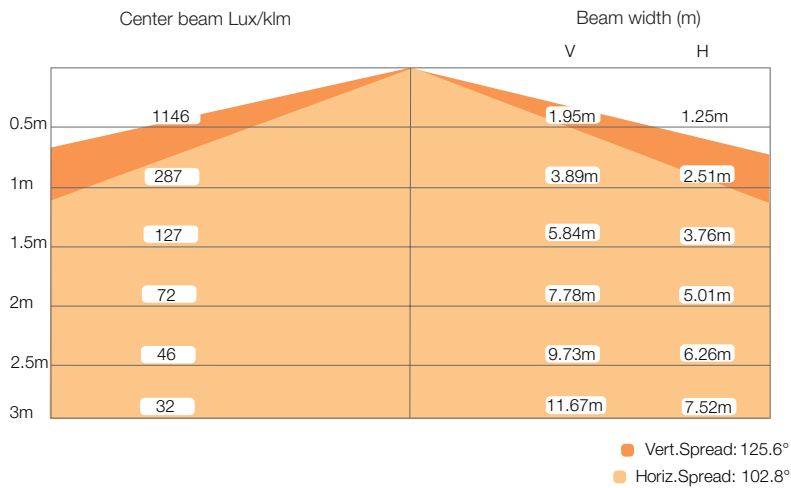
### Candela Distribution



### Light Output

Color	Luminous Flux (lm)	Efficacy (lm/W)
<b>300mm</b>		
RGB (full-on)	102.2	19.7
Red	26.5	12.6
Green	63.1	29.9
Blue	12.9	6.1
<b>600mm</b>		
RGB (full-on)	204.9	19.8
Red	53.2	12.7
Green	126.3	29.9
Blue	25.8	6.1
<b>1200mm</b>		
RGB (full-on)	409.7	19.8
Red	106.4	12.7
Green	252.7	29.9
Blue	51.6	6.1
<b>2400mm</b>		
RGB (full-on)	816.8	19.7
Red	211.2	12.6
Green	504.6	30.4
Blue	103.4	6.1

### Illuminance at a Distance



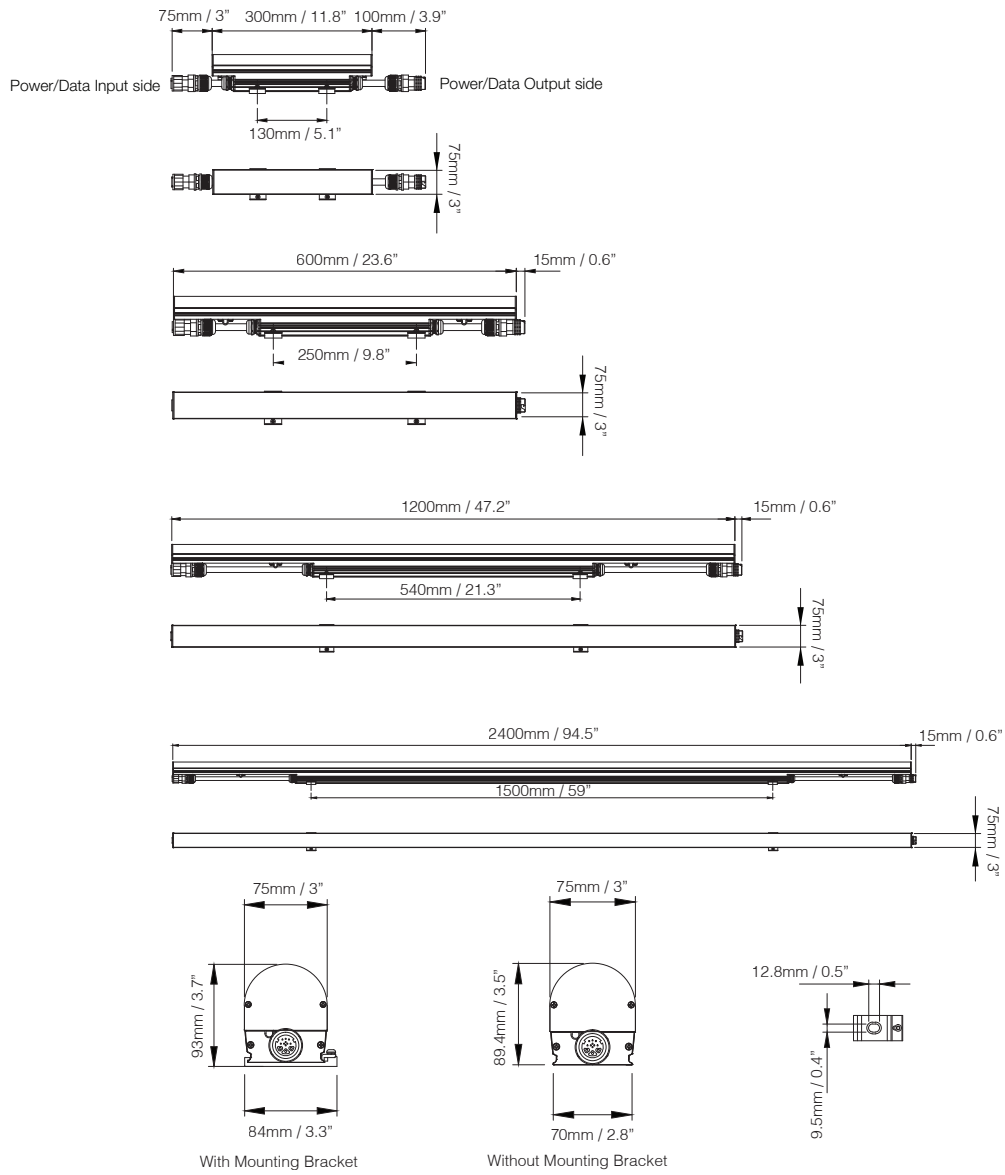
For fc (foot candle) divide by 10.7

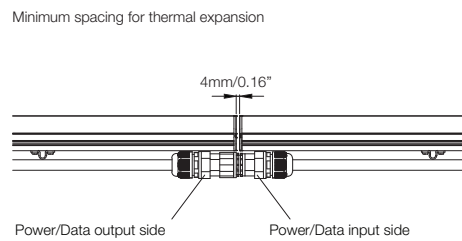
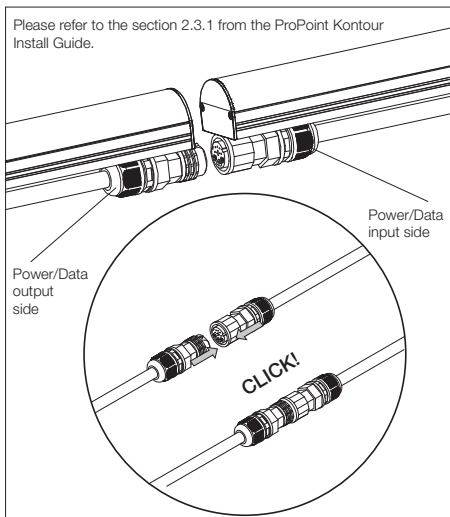
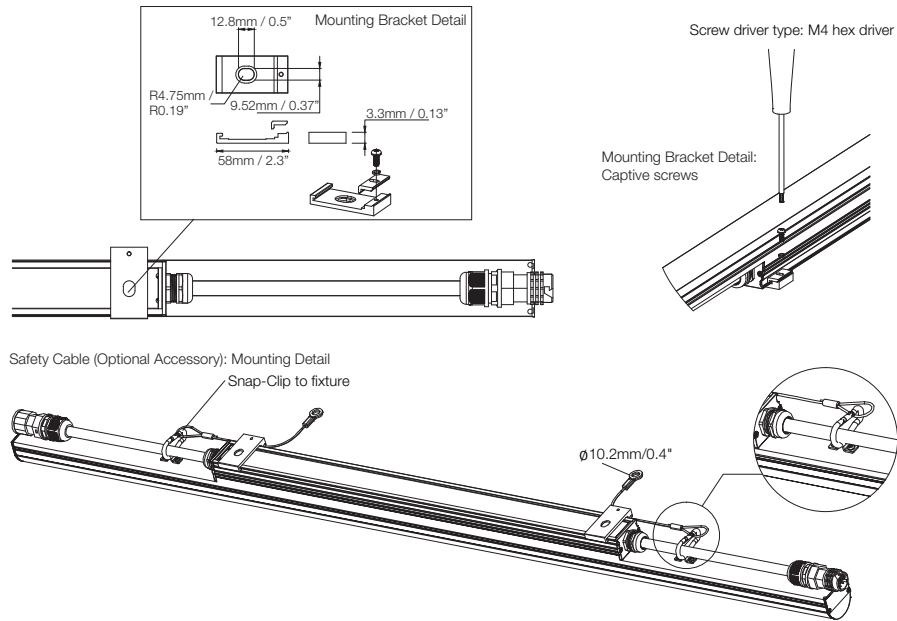
For feet multiply by 3.28

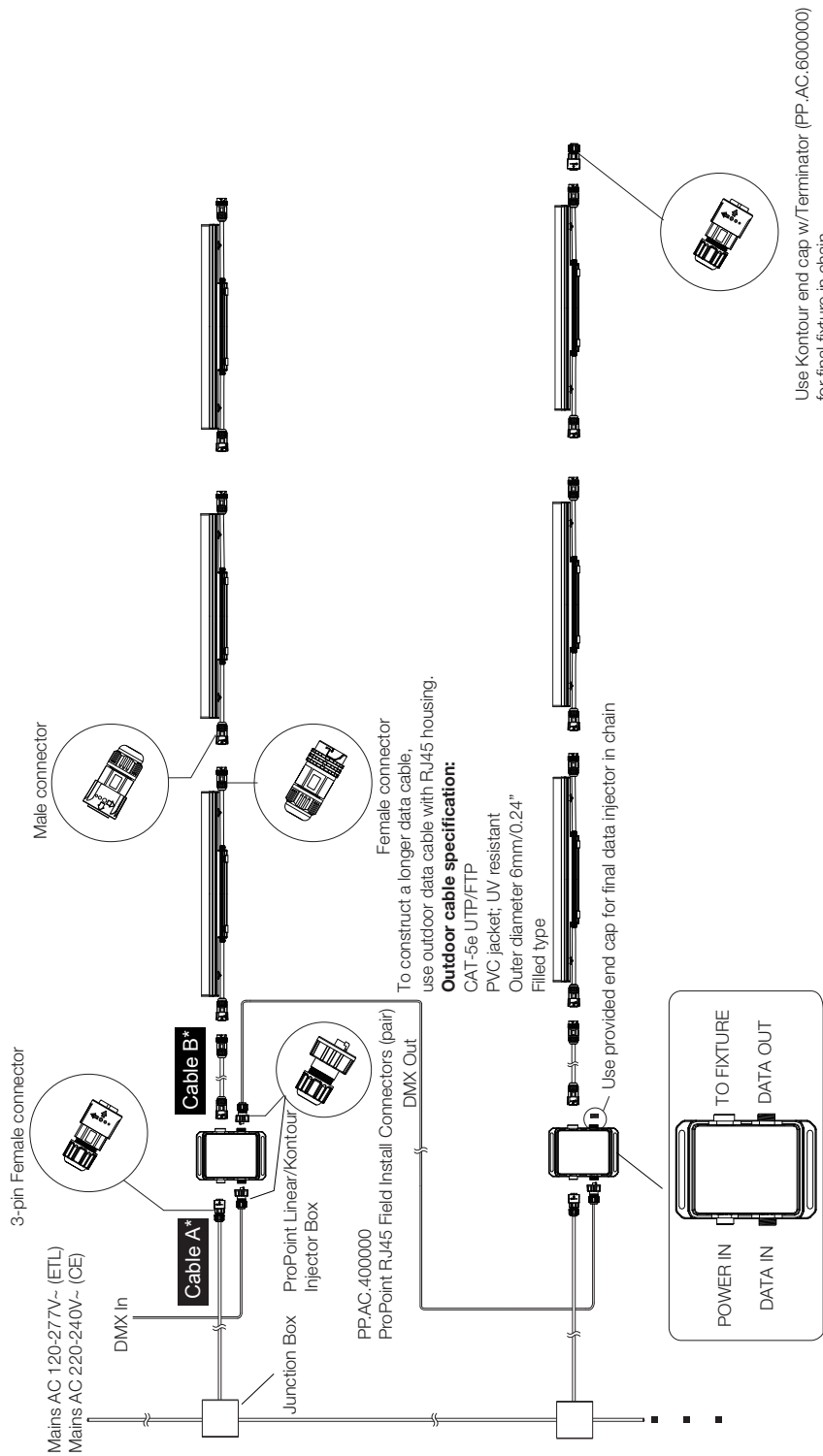
IES and LDT files are available for download from the Traxon website.

# ProPoint Kontour Round Wide RGB

# Dimensions







1. All ordering information of accessories can be referred to next page.
  2. All interconnection information can be referred to next page.
- \* Cable A; Cable B; Please refer to System Diagram Accessories table for options.

# ProPoint Kontour Round Wide RGB

## System Diagram

### Wiring Information Details

#### ProPoint Kontour Wide -CE

220V-240V

Model	Power Consumption (Typ.)	Input Voltage	Max Connected Chain
300mm	5W	220-240V	512
600mm	10W	220-240V	320
1200mm	20W	220-240V	150
2400mm	40W	220-240V	80

#### Accessories (ETL / CE)

Model No.	Description	Item Code
PP.AC.100001	ProPoint Linear/Kontour Injector Box	AM374890055
PP.AC.100002	ProPoint Linear/Kontour Injector Box BL	AM374900055
PP.AC.100003	ProPoint Linear/Kontour Injector Box WT	AM374910055
PP.AC.600000	PP LIN/KON End Cap W / TERM.	AM380550055
PP.AC.400000	ProPoint RJ45 Field Install Connectors (pair)	AM380560055

#### Accessories (CE)

Cable Type	Model No.	Description	Item Code
Cable A*	PP.A2.303000	3M PP Linear Power Input Cable CE	AM374840055
Cable B*	KO.KB.610000	10M Kontour PWR/DATA INT CBL CE	AM357520155
Cable B*	KO.KB.601000	1M Kontour PWR/DATA INT CBL CE	AM357490155
Cable B*	KO.KB.602000	2M Kontour PWR/DATA INT CBL CE	AM357500155
Cable B*	KO.KB.603000	3M Kontour PWR/DATA INT CBL CE	AM357510155

\* All cables come pre-wired with male / female connectors.

# ProPoint Kontour Round Wide RGB

Ordering

## Model Number

KXX	.	3	.	9	.	A	.	0	.	6	.	2	.	X	.	XX
Kontour Length	Width	Control	Color	CCT	Approbation	Lens	Finish	Pixel Config								
K1L: 300mm	3: Wide	9: DMX	A: RGB		6: CE	2: Diffused Round Lens	1: Gray	01: 1PXL								
K2L: 600mm							2: Black	02: 2PXL								
K4L: 1200mm							3: White	04: 4PXL								
K8L: 2400mm								08: 8PXL								

## \*Abbreviations in Description

WD: Wide      NW: Narrow      R: Round      BL: Black      WT: White

## Fixtures

Model No.	Description	Item Code
<b>K1L.3.9A0621.01</b>	ProPoint Kontour R 0.3 WD RGB 1PXL CE	AM403950055
<b>K2L.3.9A0621.01</b>	ProPoint Kontour R 0.6 WD RGB 1PXL CE	AM403970055
<b>K2L.3.9A0621.02</b>	ProPoint Kontour R 0.6 WD RGB 2PXL CE	AM404730055
<b>K4L.3.9A0621.01</b>	ProPoint Kontour R 1.2 WD RGB 1PXL CE	AM403990055
<b>K4L.3.9A0621.04</b>	ProPoint Kontour R 1.2 WD RGB 4PXL CE	AM404750055
<b>K8L.3.9A0621.01</b>	ProPoint Kontour R 2.4 WD RGB 1PXL CE	AM404010055
<b>K8L.3.9A0621.08</b>	ProPoint Kontour R 2.4 WD RGB 8PXL CE	AM404770055
<b>K1L.3.9A0622.01</b>	ProPoint Kontour R 0.3 WD RGB 1PXL BL CE	AM404030055
<b>K2L.3.9A0622.01</b>	ProPoint Kontour R 0.6 WD RGB 1PXL BL CE	AM404050055
<b>K2L.3.9A0622.02</b>	ProPoint Kontour R 0.6 WD RGB 2PXL BL CE	AM404790055
<b>K4L.3.9A0622.01</b>	ProPoint Kontour R 1.2 WD RGB 1PXL BL CE	AM404070055
<b>K4L.3.9A0622.04</b>	ProPoint Kontour R 1.2 WD RGB 4PXL BL CE	AM404810055
<b>K8L.3.9A0622.01</b>	ProPoint Kontour R 2.4 WD RGB 1PXL BL CE	AM404090055
<b>K8L.3.9A0622.08</b>	ProPoint Kontour R 2.4 WD RGB 8PXL BL CE	AM404830055
<b>K1L.3.9A0623.01</b>	ProPoint Kontour R 0.3 WD RGB 1PXL WT CE	AM404110055
<b>K2L.3.9A0623.01</b>	ProPoint Kontour R 0.6 WD RGB 1PXL WT CE	AM404130055
<b>K2L.3.9A0623.02</b>	ProPoint Kontour R 0.6 WD RGB 2PXL WT CE	AM404850055
<b>K4L.3.9A0623.01</b>	ProPoint Kontour R 1.2 WD RGB 1PXL WT CE	AM404150055
<b>K4L.3.9A0623.04</b>	ProPoint Kontour R 1.2 WD RGB 4PXL WT CE	AM404870055
<b>K8L.3.9A0623.01</b>	ProPoint Kontour R 2.4 WD RGB 1PXL WT CE	AM404170055
<b>K8L.3.9A0623.08</b>	ProPoint Kontour R 2.4 WD RGB 8PXL WT CE	AM404890055

## ProPoint Kontour Round Wide RGB

Ordering

### Accessories (ETL / CE)

Model No.	Description	Item Code
PP.AC.100001	ProPoint Linear/Kontour Injector Box	AM374890055
PP.AC.100002	ProPoint Linear/Kontour Injector Box BL	AM374900055
PP.AC.100003	ProPoint Linear/Kontour Injector Box WT	AM374910055
PP.AC.600000	PP LIN/KON End Cap W / TERM.	AM380550055
PP.AC.400000	ProPoint RJ45 Field Install Connectors (pair)	AM380560055

### Accessories (CE)

Model No.	Description	Item Code
PP.A2.303000	3M PP Linear Power Input Cable CE	AM374840055
KO.KB.610000	10M Kontour PWR/DATA INT CBL CE	AM357520155
KO.KB.601000	1M Kontour PWR/DATA INT CBL CE	AM357490155
KO.KB.602000	2M Kontour PWR/DATA INT CBL CE	AM357500155
KO.KB.603000	3M Kontour PWR/DATA INT CBL CE	AM357510155

### Accessories (Optional)

Model No.	Description	Item Code
KO.AA.900010	Kontour Safety Cable 0.25M (10")	AM403000055

Our Brands

traxon e:cue

OSRAM

©2021 TRAXON TECHNOLOGIES - AN OSRAM BUSINESS. ALL RIGHTS RESERVED. TRAXON™, TX CONNECT®, ARE TRADEMARKS OF TRAXON TECHNOLOGIES. U.S. PATENTS, E.U. PATENTS, JAPAN PATENTS, OTHER PATENTS PENDING. SPECIFICATIONS ARE SUBJECT TO CHANGE WITHOUT NOTICE.