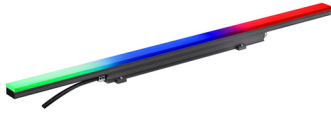


Date: \_\_\_\_\_ Quantity: \_\_\_\_\_  
 Company: \_\_\_\_\_  
 Project: \_\_\_\_\_

## ProPoint Kontour Narrow RGB



Traxon Kontour is an AC line powered exterior luminaire used to distinguish facades, walls, and architectural borders with a concentrated, even radiance. ProPoint Kontour's compact, lowprofile design is available in four lengths, two widths and is combined with a clip mounting system for efficient installation.



### Product Specifications

	300mm / 12"	600mm / 24"	1200mm / 48"	2400mm / 96"
<b>Model</b>	Kontour Narrow			
<b>Light Source</b>	16.7 million additive RGB colors			
<b>LED Quantity</b>	RGB x 30pcs	RGB x 60pcs	RGB x 120pcs	RGB x 240pcs
<b>Beam Angle</b>	120°			
<b>Luminous Flux</b>	75 lm	131 lm	298 lm	596 lm
<b>Efficacy</b>	17 lm/W			
<b>Lumen Maintenance</b>	L70 @25°C -81,000hrs			
<b>Cover Lens</b>	Diffused UV stable acrylic			
<b>Housing</b>	Extruded Aluminum			
<b>Housing Finish Options</b>	Gray (RAL7015), Black (RAL9005), White (RAL9003)			
<b>Mounting</b>	Low Profile Mounting Brackets (x2 per length)			
<b>Dimensions (L)</b>	300mm / 11.8"	600mm / 23.6"	1200mm / 47.2"	2400mm / 94.5"
<b>(W x H)</b>	46.5mm x 59.5mm / 1.8" x 2.3"			
<b>Weight</b>	0.9 kg / 2 lbs.	1.3 kg / 2.9 lbs.	2.1 kg / 4.6 lbs.	3.8 kg / 8.4 lbs.
<b>EPA (sq.ft)</b>	<b>Front</b>	0.032		
	<b>Side</b>	0.258	0.392	0.787
	<b>Front 45°</b>	0.1824	0.2771	0.5564
<b>Regulatory Listing &amp; Safety Approval</b>	cETLus, FCC, RoHS, ASTM B117-16, ANSI 3G, IK08			
<b>Operating Temperature</b>	-30°C to +55°C / -22°F to +131°F			
<b>Storage Temperature</b>	-40°C to +80°C / -40°F to +176°F			
<b>Environment</b>	Outdoor (IP66), suitable for coastal environments			
<b>Humidity</b>	85%, non-condensing			

### Electrical Specifications

<b>Input Voltage</b>	120-277Vac 50/60Hz			
<b>Power Consumption</b>	4W	8W	16W	32W
<b>Power Factor</b>	≥ 0.9			

### System Specifications

<b>Control</b>	DMX 512
<b>Power Supply</b>	Integral
<b>Addressing Options</b>	Auto-Addressed with Data Injector
<b>Pixel Control</b>	Standard luminaire controlled by 300 mm / 12". Factory set to other pixel configurations on request.

**LED CHARACTERISTICS** Because LEDs are semiconductor devices, their performances are subject to inherent variability commonly found in semiconductor industry. To improve consistency in performance across the same product, LED manufacturers "sort" LEDs into bins according to different preset parameters, such as forward driving voltage, illumination, etc. Whereas binning is a sorting function, it is not a correction process. Inherent variability in the manufacturing process results always in different binning distributions according to different production lots. Traxon uses automatically binned LEDs on its products, thereby minimizing output variations within the model range.

As with all electronic devices, LED output degrades over time – a term called lumen depreciation. This also explains why it is nearly impossible to expect photometric performances of two LED products with different service life spans to be the same. The rate of LED degrade is a complicate function of many factors such as operating efficiency, duration of continuous operation, and more significantly, environmental conditions (ambient temperature for example). If allowed working under optimal operating temperature range and with good ventilation, LED devices enjoy long service lives over conventional light sources. When using/installing LED devices, care should be taken to ensure that the devices will operate within the operating conditions specified in respective product literature.

Lumen measurement complies with LM-79-08 standard.  
 Lumen maintenance is calculated based on LM-80 compliant measurement.

[www.traxontechnologies.com](http://www.traxontechnologies.com) | [www.osram.us/traxon](http://www.osram.us/traxon)

©2020 TRAXON TECHNOLOGIES - AN OSRAM BUSINESS. ALL RIGHTS RESERVED. TRAXON™, TX CONNECT®, ARE TRADEMARKS OF TRAXON TECHNOLOGIES. U.S. PATENTS, E.U. PATENTS, JAPAN PATENTS, OTHER PATENTS PENDING. SPECIFICATIONS ARE SUBJECT TO CHANGE WITHOUT NOTICE.

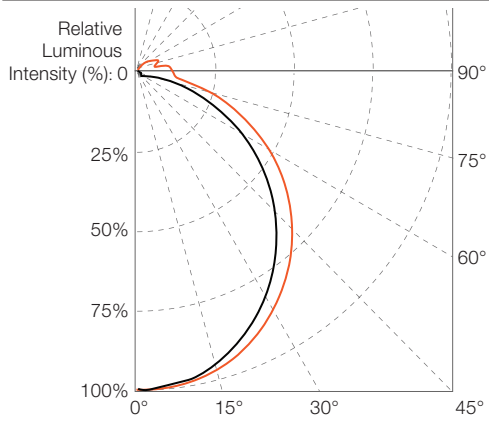
# ProPoint Kontour Narrow RGB

## Photometrics

### Source Specifications

Optics	120°
--------	------

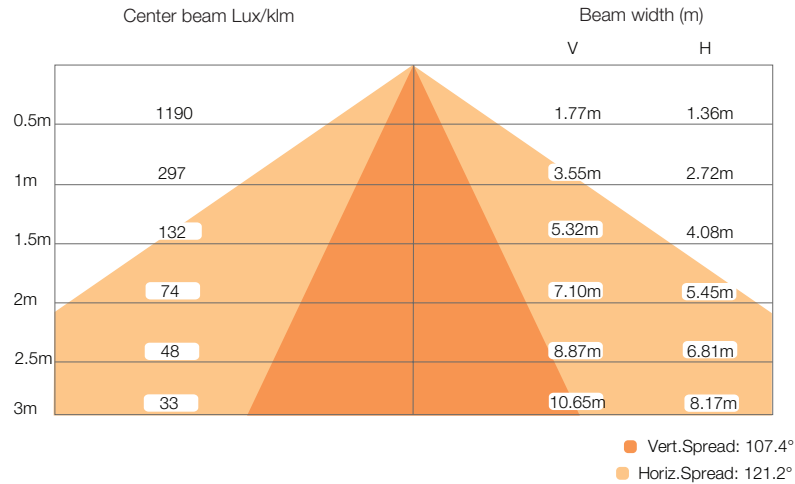
### Candela Distribution



### Light Output

Color	Luminous Flux (lm)	Efficacy (lm/W)
<b>300mm / 12"</b>		
RGB (full-on)	74.87	18.0
Red	18.45	10.5
Green	46.95	26.6
Blue	9.56	5.5
<b>600mm / 24"</b>		
RGB (full-on)	130.9	15.6
Red	32.06	9.4
Green	82.238	22.0
Blue	23.156	12.7
<b>1200mm / 48"</b>		
RGB (full-on)	298.24	17.8
Red	72.84	10.2
Green	187.5	27.2
Blue	38.347	5.3
<b>2400mm / 96"</b>		
RGB (full-on)	595.96	17.6
Red	145.37	10.0
Green	374.8	25.1
Blue	86.53	6.3

### Illuminance at a Distance



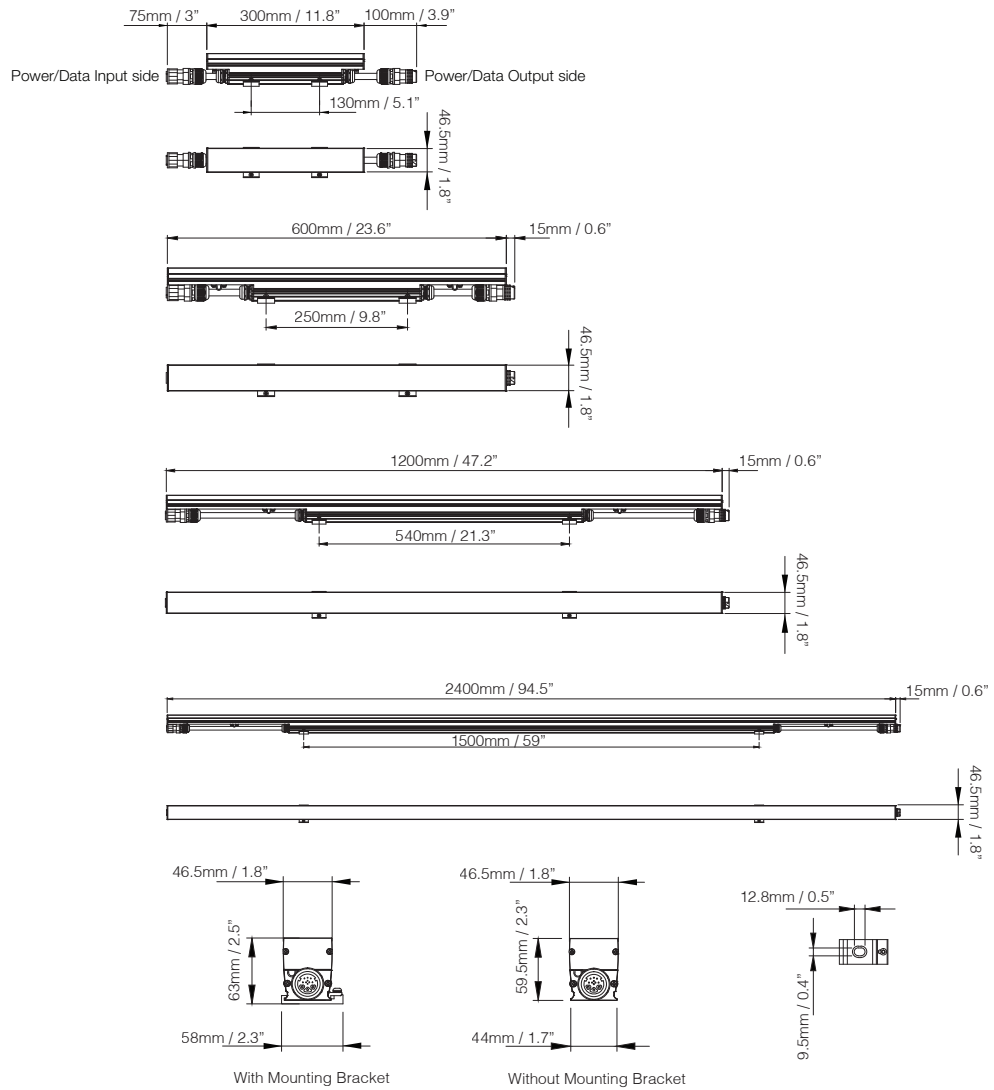
For fc divide by 10.7

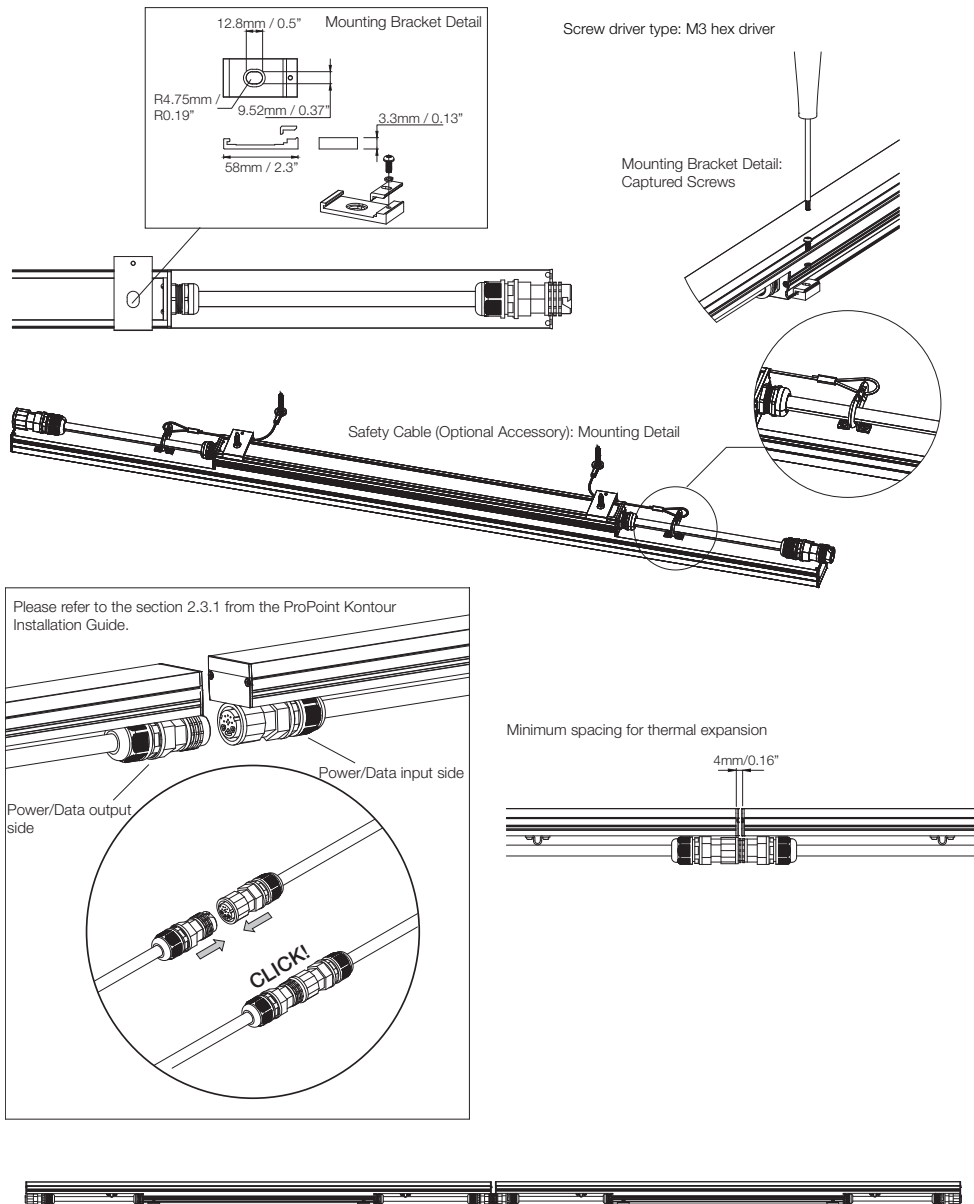
For feet multiply by 3.28

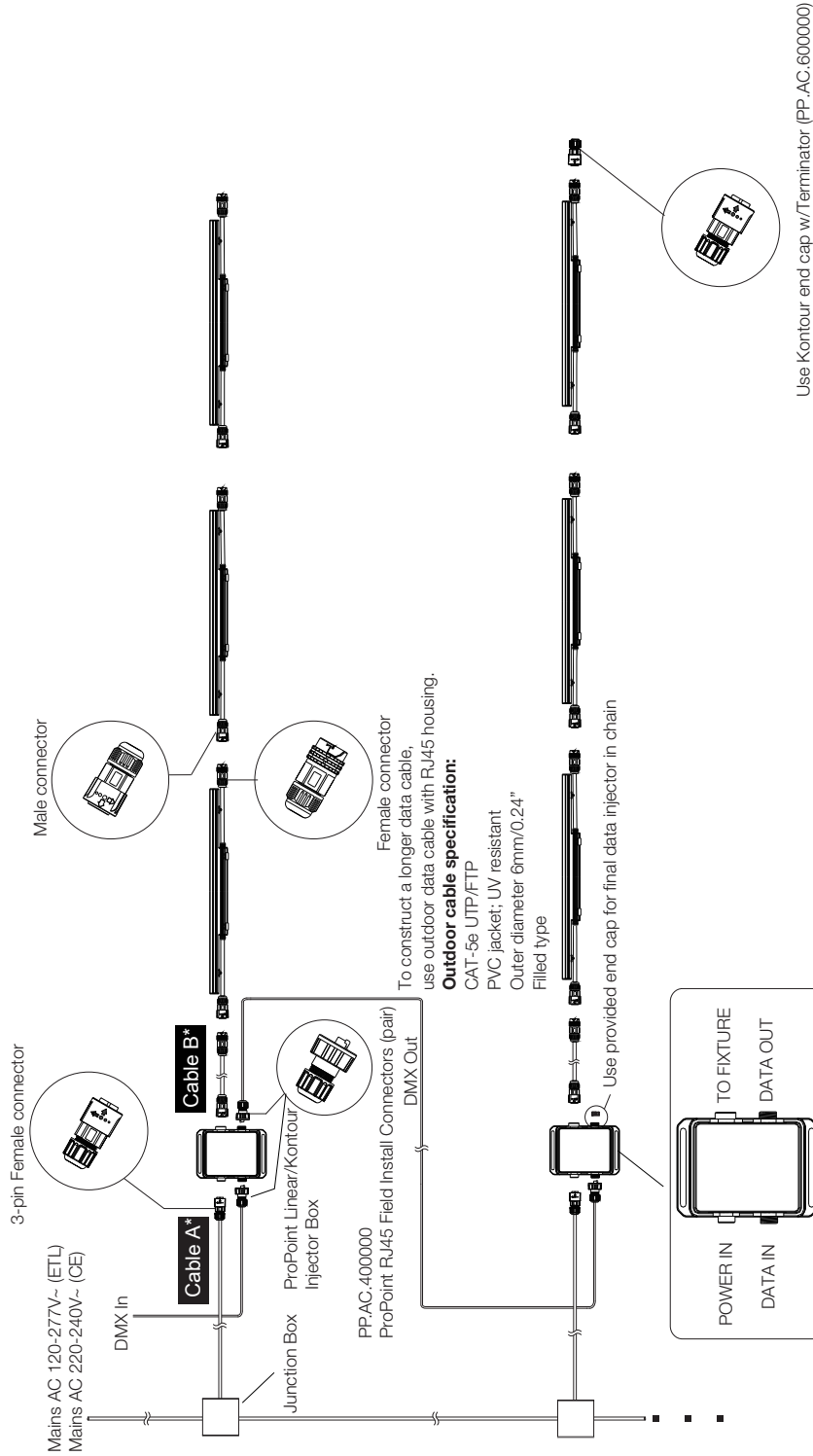
IES and LDT files are available for download from the Traxon website.

# ProPoint Kontour Narrow RGB

# Dimensions







1. All ordering information of accessories can be referred to next page.
  2. All interconnection information can be referred to next page.
- \* Cable A, Cable B: Please refer to System Diagram Accessories table for options.

# ProPoint Kontour Narrow RGB

## System Diagram

### Wiring Information Details

#### ProPoint Kontour Narrow - ETL

##### 120V

Model	Power Consumption (Typ.)	Input Voltage	Max Connected Chain
300mm / 12"	4W	120V	432
600mm / 24"	8W	120V	216
1200mm / 48"	16W	120V	108
2400mm / 96"	32W	120V	54

##### 220V-240V

Model	Power Consumption (Typ.)	Input Voltage	Max Connected Chain
300mm / 12"	4W	220-240V	512
600mm / 24"	8W	220-240V	400
1200mm / 48"	16W	220-240V	200
2400mm / 96"	32W	220-240V	100

##### 277V

Model	Power Consumption (Typ.)	Input Voltage	Max Connected Chain
300mm / 12"	4W	277V	512
600mm / 24"	8W	277V	500
1200mm / 48"	16W	277V	250
2400mm / 96"	32W	277V	125

#### Accessories (ETL / CE)

Model No.	Description	Item Code
PP.AC.100001	PROPOINT LINEAR/KONTOUR INJECTOR BOX	AM374890055
PP.AC.100002	PROPOINT LINEAR/KONTOUR INJECTOR BOX BL	AM374900055
PP.AC.100003	PROPOINT LINEAR/KONTOUR INJECTOR BOX WT	AM374910055
PP.AC.600000	PP LIN/KON END CAP W/ TERM.	AM380550055
PP.AC.400000	PROPOINT RJ45 FIELD INSTALL CONNECTORS (PAIR)	AM380560055

#### Accessories (ETL)

Cable Type	Model No.	Description	Item Code
Cable A*	PP. A1.303000	3M PP LINEAR POWER INPUT CABLE ETL	AM374840155
Cable B*	KO.KA.610000	10M KONTOUR PWR/DATA INT CBL ETL	AM357520055
Cable B*	KO.KA.601000	1M KONTOUR PWR/DATA INT CBL ETL	AM357490055
Cable B*	KO.KA.602000	2M KONTOUR PWR/DATA INT CBL ETL	AM357500055
Cable B*	KO.KA.603000	3M KONTOUR PWR/DATA INT CBL ETL	AM357510055

\* All cables come pre-wired with male / female connectors.

# ProPoint Kontour Narrow RGB

Ordering

## Model Number

KXX	.	2	.	9	A	0	4	1	.	X	.	XX
Kontour Length	Width	Control	Color	CCT	Approbation	Lens	Finish	Pixel Config				
K1L: 1'	2: 46.5mm/1.8"	9: DMX	A: RGB		4: cETLus	1: Diffused Lens	1: Gray	01: 1PXL				
K2L: 2'							2: Black	02: 2PXL				
K4L: 4'							3: White	04: 4PXL				
K8L: 8'								08: 8PXL				

## \*Abbreviations in Description

WD: Wide      NW: Narrow      F: Flat      BL: Black      WT: White

## Fixtures

Model No.	Description	Item Code
K1L.2.9A0411.01	PROPOINT KONTOUR F 12" NW RGB 1PXL ETL	AM395530055
K2L.2.9A0411.01	PROPOINT KONTOUR F 24" NW RGB 1PXL ETL	AM395550055
K2L.2.9A0411.02	PROPOINT KONTOUR F 24" NW RGB 2PXL ETL	AM394550055
K4L.2.9A0411.01	PROPOINT KONTOUR F 48" NW RGB 1PXL ETL	AM395570055
K4L.2.9A0411.04	PROPOINT KONTOUR F 48" NW RGB 4PXL ETL	AM394570055
K8L.2.9A0411.01	PROPOINT KONTOUR F 96" NW RGB 1PXL ETL	AM395590055
K8L.2.9A0411.08	PROPOINT KONTOUR F 96" NW RGB 8PXL ETL	AM394590055
K1L.2.9A0412.01	PROPOINT KONTOUR F 12" NW RGB 1PXL BL ETL	AM395610055
K2L.2.9A0412.01	PROPOINT KONTOUR F 24" NW RGB 1PXL BL ETL	AM395630055
K2L.2.9A0412.02	PROPOINT KONTOUR F 24" NW RGB 2PXL BL ETL	AM394610055
K4L.2.9A0412.01	PROPOINT KONTOUR F 48" NW RGB 1PXL BL ETL	AM395650055
K4L.2.9A0412.04	PROPOINT KONTOUR F 48" NW RGB 4PXL BL ETL	AM394630055
K8L.2.9A0412.01	PROPOINT KONTOUR F 96" NW RGB 1PXL BL ETL	AM395670055
K8L.2.9A0412.08	PROPOINT KONTOUR F 96" NW RGB 8PXL BL ETL	AM394650055
K1L.2.9A0413.01	PROPOINT KONTOUR F 12" NW RGB 1PXL WT ETL	AM395690055
K2L.2.9A0413.01	PROPOINT KONTOUR F 24" NW RGB 1PXL WT ETL	AM395710055
K2L.2.9A0413.02	PROPOINT KONTOUR F 24" NW RGB 2PXL WT ETL	AM394670055
K4L.2.9A0413.01	PROPOINT KONTOUR F 48" NW RGB 1PXL WT ETL	AM395730055
K4L.2.9A0413.04	PROPOINT KONTOUR F 48" NW RGB 4PXL WT ETL	AM394690055
K8L.2.9A0413.01	PROPOINT KONTOUR F 96" NW RGB 1PXL WT ETL	AM395750055
K8L.2.9A0413.08	PROPOINT KONTOUR F 96" NW RGB 8PXL WT ETL	AM394710055

## ProPoint Kontour Narrow RGB

Ordering

### Accessories (ETL / CE)

Model No.	Description	Item Code
PP.AC.100001	PROPOINT LINEAR/KONTOUR INJECTOR BOX	AM374890055
PP.AC.100002	PROPOINT LINEAR/KONTOUR INJECTOR BOX BL	AM374900055
PP.AC.100003	PROPOINT LINEAR/KONTOUR INJECTOR BOX WT	AM374910055
PP.AC.600000	PP LIN/KON END CAP W/ TERM.	AM380550055
PP.AC.400000	PROPOINT RJ45 FIELD INSTALL CONNECTORS (PAIR)	AM380560055

### Accessories (ETL)

Model No.	Description	Item Code
PP. A1.303000	3M PP LINEAR POWER INPUT CABLE ETL	AM374840155
KO.KA.610000	10M KONTOUR PWR/DATA INT CBL ETL	AM357520055
KO.KA.601000	1M KONTOUR PWR/DATA INT CBL ETL	AM357490055
KO.KA.602000	2M KONTOUR PWR/DATA INT CBL ETL	AM357500055
KO.KA.603000	3M KONTOUR PWR/DATA INT CBL ETL	AM357510055

### Accessories (Optional)

Model No.	Description	Item Code
KO.AA.900010	KONTOUR SAFETY CABLE 0.25M (10")	AM403000055

Our Brands

**traxon e:cue**  
www.traxontechnologies.com | www.osram.us/traxon

# OSRAM

©2020 TRAXON TECHNOLOGIES - AN OSRAM BUSINESS. ALL RIGHTS RESERVED. TRAXON™, TX CONNECT®, ARE TRADEMARKS OF TRAXON TECHNOLOGIES. U.S. PATENTS, E.U. PATENTS, JAPAN PATENTS, OTHER PATENTS PENDING. SPECIFICATIONS ARE SUBJECT TO CHANGE WITHOUT NOTICE.