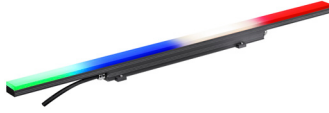


Date: _____ Quantity: _____

Company: _____

Project: _____

ProPoint Kontour Narrow RGBW



Traxon Kontour is an AC line powered exterior luminaire used to distinguish facades, walls, and architectural borders with a concentrated, even radiance. ProPoint Kontour's compact, lowprofile design is available in four lengths, two widths and is combined with a clip mounting system for efficient installation.



Product Specifications

	300mm	600mm	1200mm	2400mm
Model	Kontour Narrow			
Light Source	RGBW (White CCT: 4000K)			
LED Quantity	RGBW / 4-in-1 LED cluster x 30pcs	RGBW / 4-in-1 LED cluster x 60pcs	RGBW / 4-in-1 LED cluster x 120pcs	RGBW / 4-in-1 LED cluster x 240pcs
Beam Angle	120°			
Luminous Flux	123 lm	246 lm	495 lm	985 lm
Efficacy	29 lm/W			
Lumen Maintenance	L70 @25°C -81,000hrs			
Cover Lens	Diffused UV stable acrylic			
Housing	Extruded Aluminum			
Housing Finish Options	Gray (RAL7015), Black (RAL9005), White (RAL9003)			
Mounting	Low Profile Mounting Brackets (x2 per length)			
Dimensions (L)	300mm / 11.8"	600mm / 23.6"	1200mm / 47.2"	2400mm / 94.5"
(W x H)	46.5mm x 59.5mm / 1.8" x 2.3"			
Weight	0.9 kg / 2 lbs.	1.3 kg / 2.9 lbs.	2.1 kg / 4.6 lbs.	3.8 kg / 8.4 lbs.
EPA (sq.ft)				
Front	0.032			
Side	0.258	0.392	0.787	1.575
Front 45°	0.1824	0.2771	0.5564	1.1135
Regulatory Listing & Safety Approval	CE, IEC 60598-2-3, 3G ANSI C136.31, IK08			
Operating Temperature	-30°C to +55°C / -22°F to +131°F			
Storage Temperature	-40°C to +80°C / -40°F to +176°F			
Environment	Outdoor (IP66), suitable for coastal environments			
Humidity	85%, non-condensing			

Electrical Specifications

Input Voltage	220-240V AC			
Power Consumption	4W	8W	16W	32W
Power Factor	≥ 0.9			

System Specifications

Control	DMX 512
Power Supply	Integral
Addressing Options	Auto-Addressed with Data Injector
Pixel Control	Standard luminaire controlled by 12" / 300mm. Factory set to other pixel configurations on request.

LED CHARACTERISTICS Because LEDs are semiconductor devices, their performances are subject to inherent variability commonly found in semiconductor industry. To improve consistency in performance across the same product, LED manufacturers "sort" LEDs into bins according to different preset parameters, such as forward driving voltage, illumination, etc. Whereas binning is a sorting function, it is not a correction process. Inherent variability in the manufacturing process results always in different binning distributions according to different production lots. Traxon uses automatically binned LEDs on its products, thereby minimizing output variations within the model range.

As with all electronic devices, LED output degrades over time – a term called lumen depreciation. This also explains why it is nearly impossible to expect photometric performances of two LED products with different service life spans to be the same. The rate of LED degrade is a complicate function of many factors such as operating efficiency, duration of continuous operation, and more significantly, environmental conditions (ambient temperature for example). If allowed working under optimal operating temperature range and with good ventilation, LED devices enjoy long service lives over conventional light sources. When using/installing LED devices, care should be taken to ensure that the devices will operate within the operating conditions specified in respective product literature.

Lumen measurement complies with LM-79-08 standard.
Lumen maintenance is calculated based on LM-80 compliant measurement.

www.traxontechnologies.com | www.osram.us/traxon

©2020 TRAXON TECHNOLOGIES - AN OSRAM BUSINESS. ALL RIGHTS RESERVED. TRAXON™, TX CONNECT®, ARE TRADEMARKS OF TRAXON TECHNOLOGIES. U.S. PATENTS, E.U. PATENTS, JAPAN PATENTS, OTHER PATENTS PENDING. SPECIFICATIONS ARE SUBJECT TO CHANGE WITHOUT NOTICE.

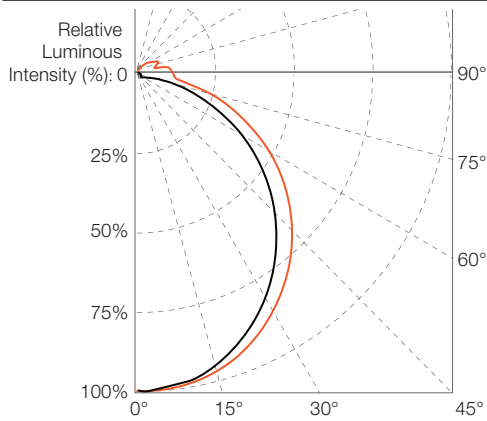
ProPoint Kontour Narrow RGBW

Photometrics

Source Specifications

Optics	120°
--------	------

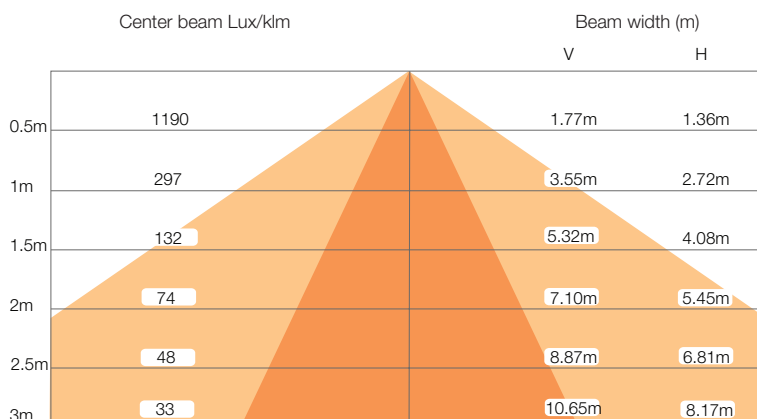
Candela Distribution



Light Output

Color	Luminous Flux (lm)	Efficacy (lm/W)
300mm		
RGBW (full-on)	123.03	28.7
RGB	83.347	24.0
Red	18.38	10.7
Green	53.92	31.7
Blue	10.84	6.3
White	39.34	23.2
600mm		
RGBW (full-on)	246.2	28.8
RGB	166.9	24.3
Red	37.07	10.9
Green	107.9	31.6
Blue	21.65	6.3
White	78.72	23.0
1200mm		
RGBW (full-on)	495.4	28.9
RGB	329.3	24.3
Red	75.355	10.9
Green	216.5	32.0
Blue	43.16	6.3
White	157.8	23.2
2400mm		
RGBW (full-on)	985.5	28.7
RGB	668.2	24.2
Red	148.1	10.7
Green	431.9	31.3
Blue	86.53	6.3
White	315	22.9

Illuminance at a Distance



- Vert. Spread: 107.4°
- Horiz. Spread: 121.2°

For fc divide by 10.7

For feet multiply by 3.28

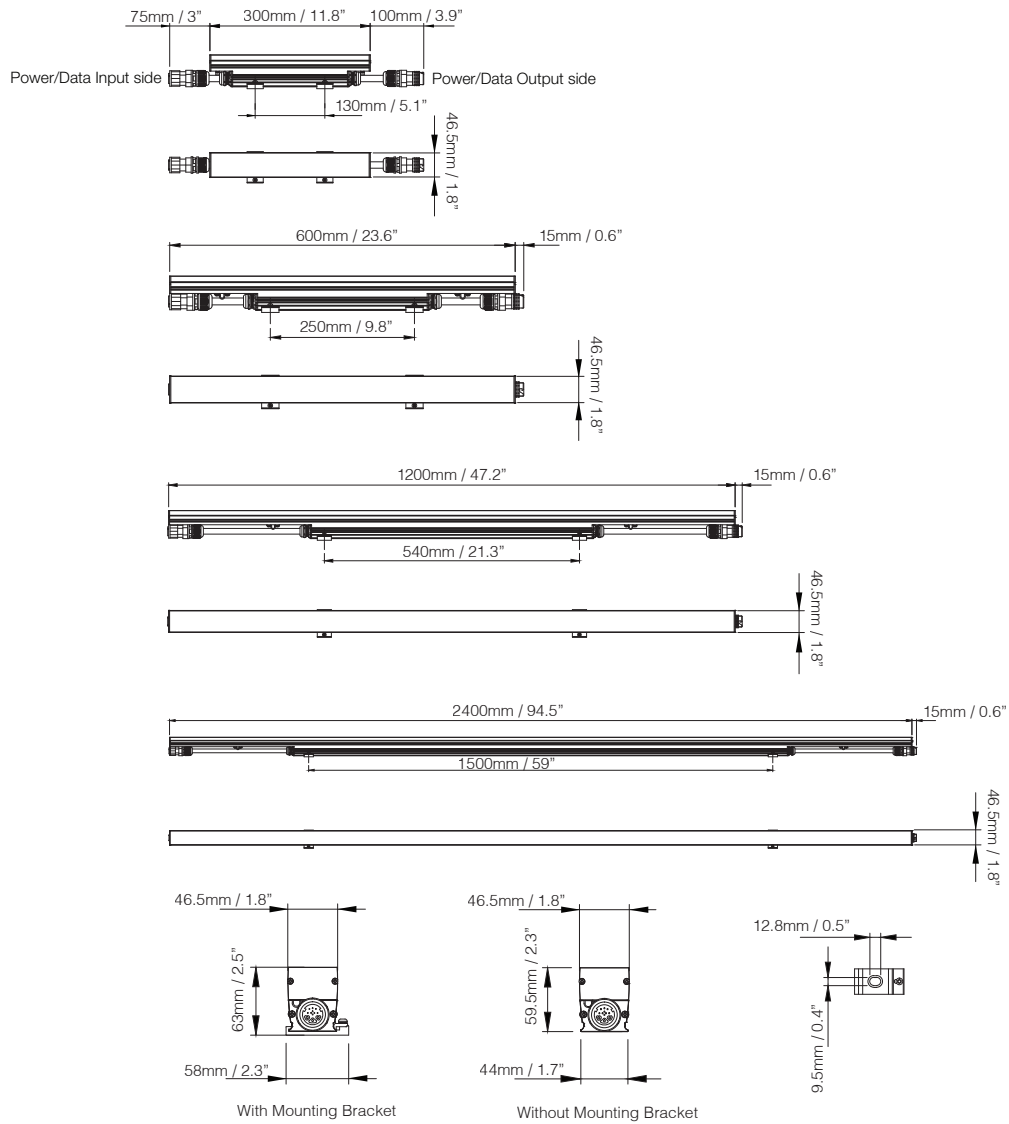
IES and LDT files are available for download from the Traxon website.

www.traxontechnologies.com | www.osram.us/traxon

©2020 TRAXON TECHNOLOGIES - AN OSRAM BUSINESS. ALL RIGHTS RESERVED. TRAXON™, TX CONNECT® ARE TRADEMARKS OF TRAXON TECHNOLOGIES. U.S. PATENTS, E.U. PATENTS, JAPAN PATENTS, OTHER PATENTS PENDING. SPECIFICATIONS ARE SUBJECT TO CHANGE WITHOUT NOTICE.

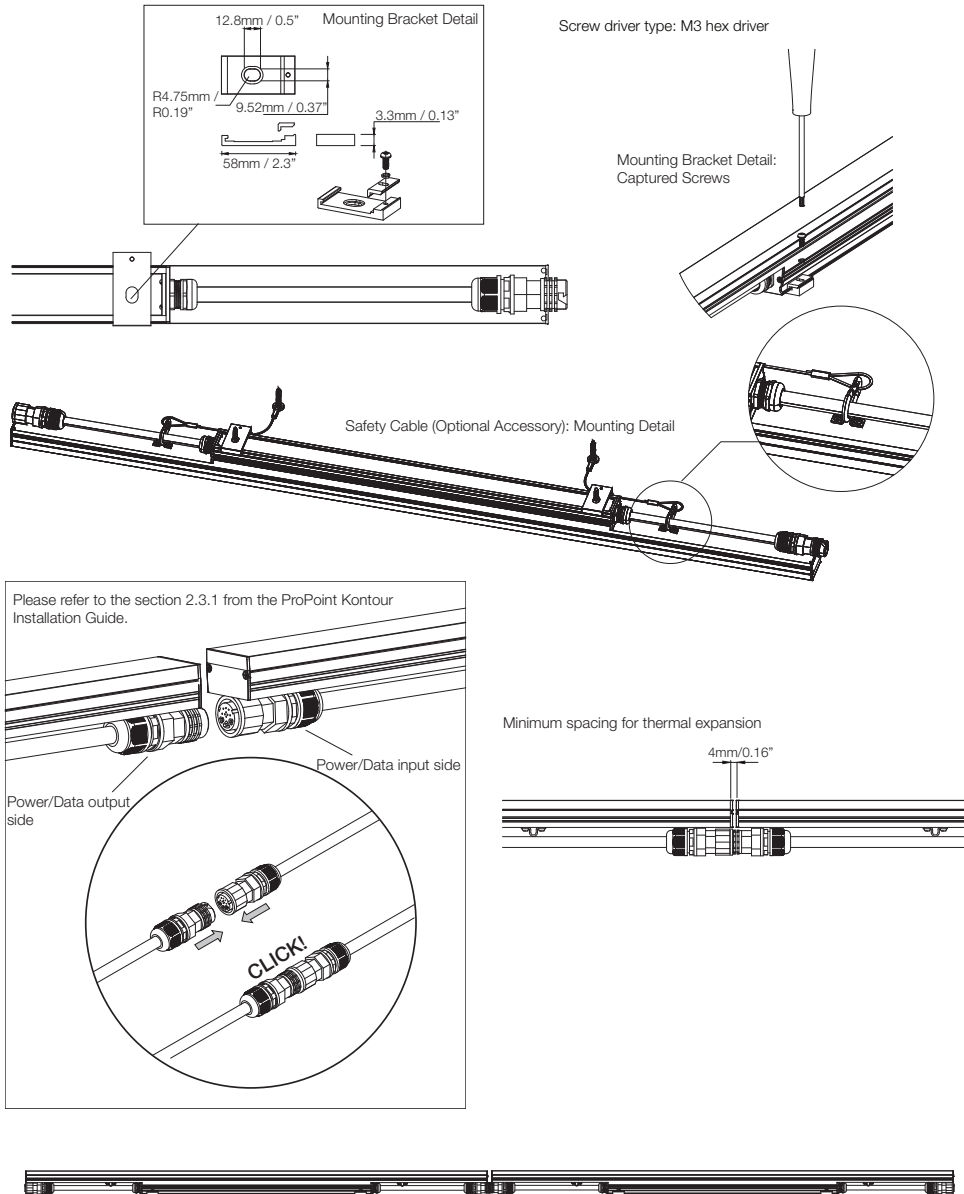
ProPoint Kontour Narrow RGBW

Dimensions



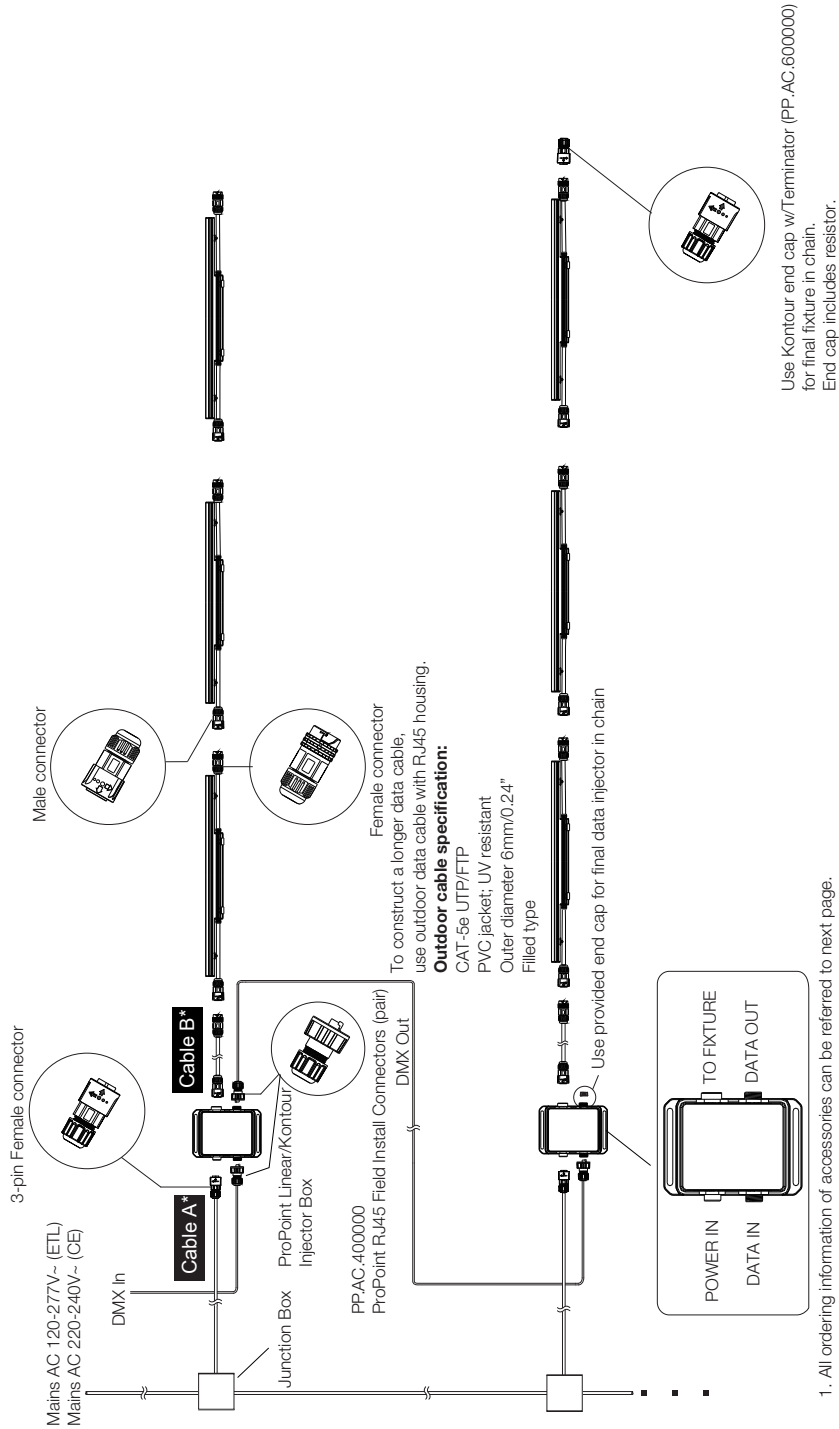
ProPoint Kontour Narrow RGBW

Mounting



ProPoint Kontour Narrow RGBW

System Diagram



1. All ordering information of accessories can be referred to next page.
 2. All interconnection information can be referred to next page.
- * Cable A, Cable B; Please refer to ProPoint Kontour Wiring Diagram P.2 for options.

ProPoint Kontour Narrow RGBW

System Diagram

Wiring Information Details

ProPoint Kontour Narrow -CE

220V-240V

Model	Power Consumption (Typ.)	Input Voltage	Max Connected Chain
300mm	4W	220-240V	512
600mm	8W	220-240V	400
1200mm	16W	220-240V	200
2400mm	32W	220-240V	100

Accessories (ETL / CE)

Model No.	Description	Item Code
PP.AC.100001	PROPOINT LINEAR/KONTOUR INJECTOR BOX	AM374890055
PP.AC.100002	PROPOINT LINEAR/KONTOUR INJECTOR BOX BL	AM374900055
PP.AC.100003	PROPOINT LINEAR/KONTOUR INJECTOR BOX WT	AM374910055
PP.AC.600000	PP LIN/KON END CAP W/ TERM.	AM380550055
PP.AC.400000	PROPOINT RJ45 FIELD INSTALL CONNECTORS (PAIR)	AM380560055

Accessories (CE)

Cable Type	Model No.	Description	Item Code
Cable A*	PP.A2.303000	3M PP LINEAR POWER INPUT CABLE CE	AM374840055
Cable B*	KO.KB.610000	10M KONTOUR PWR/DATA INT CBL CE	AM357520155
Cable B*	KO.KB.601000	1M KONTOUR PWR/DATA INT CBL CE	AM357490155
Cable B*	KO.KB.602000	2M KONTOUR PWR/DATA INT CBL CE	AM357500155
Cable B*	KO.KB.603000	3M KONTOUR PWR/DATA INT CBL CE	AM357510155

* All cables come pre-wired with male / female connectors.

ProPoint Kontour Narrow RGBW

Ordering

Model Number

KXX	.	2	.	9	4	4	6	1	X	.	XX
Kontour Length	Width	Control	Color	CCT	Approbation	Lens	Finish	Pixel Config			
K1L: 1'	2: 46.5mm/1.8"	9: DMX	4: RGBW	4: RGBW	6: CE	1: Diffused Lens	1: Gray	01: 1PXL			
K2L: 2'							2: Black	02: 2PXL			
K4L: 4'							3: White	04: 4PXL			
K8L: 8'								08: 8PXL			

*Abbreviations in Description

WD: Wide NW: Narrow F: Flat BL: Black WT: White

Fixtures

Model No.	Description	Item Code
K1L.2.944611.01	PROPOINT KONTOUR F 0.3 NW RGBW 1PXL CE	AM396300055
K2L.2.944611.01	PROPOINT KONTOUR F 0.6 NW RGBW 1PXL CE	AM396320055
K2L.2.944611.02	PROPOINT KONTOUR F 0.6 NW RGBW 2PXL CE	AM397140055
K4L.2.944611.01	PROPOINT KONTOUR F 1.2 NW RGBW 1PXL CE	AM396340055
K4L.2.944611.04	PROPOINT KONTOUR F 1.2 NW RGBW 4PXL CE	AM397160055
K8L.2.944611.01	PROPOINT KONTOUR F 2.4 NW RGBW 1PXL CE	AM396360055
K8L.2.944611.08	PROPOINT KONTOUR F 2.4 NW RGBW 8PXL CE	AM397180055
K1L.2.944612.01	PROPOINT KONTOUR F 0.3 NW RGBW 1PXL BL CE	AM396380055
K2L.2.944612.01	PROPOINT KONTOUR F 0.6 NW RGBW 1PXL BL CE	AM396400055
K2L.2.944612.02	PROPOINT KONTOUR F 0.6 NW RGBW 2PXL BL CE	AM397200055
K4L.2.944612.01	PROPOINT KONTOUR F 1.2 NW RGBW 1PXL BL CE	AM396420055
K4L.2.944612.04	PROPOINT KONTOUR F 1.2 NW RGBW 4PXL BL CE	AM397220055
K8L.2.944612.01	PROPOINT KONTOUR F 2.4 NW RGBW 1PXL BL CE	AM396440055
K8L.2.944612.08	PROPOINT KONTOUR F 2.4 NW RGBW 8PXL BL CE	AM397240055
K1L.2.944613.01	PROPOINT KONTOUR F 0.3 NW RGBW 1PXL WT CE	AM396460055
K2L.2.944613.01	PROPOINT KONTOUR F 0.6 NW RGBW 1PXL WT CE	AM396480055
K2L.2.944613.02	PROPOINT KONTOUR F 0.6 NW RGBW 2PXL WT CE	AM397260055
K4L.2.944613.01	PROPOINT KONTOUR F 1.2 NW RGBW 1PXL WT CE	AM396500055
K4L.2.944613.04	PROPOINT KONTOUR F 1.2 NW RGBW 4PXL WT CE	AM397280055
K8L.2.944613.01	PROPOINT KONTOUR F 2.4 NW RGBW 1PXL WT CE	AM396520055
K8L.2.944613.08	PROPOINT KONTOUR F 2.4 NW RGBW 8PXL WT CE	AM397300055

ProPoint Kontour Narrow RGBW

Ordering

Accessories (ETL / CE)

Model No.	Description	Item Code
PP.AC.100001	PROPOINT LINEAR/KONTOUR INJECTOR BOX	AM374890055
PP.AC.100002	PROPOINT LINEAR/KONTOUR INJECTOR BOX BL	AM374900055
PP.AC.100003	PROPOINT LINEAR/KONTOUR INJECTOR BOX WT	AM374910055
PP.AC.600000	PP LIN/KON END CAP W/ TERM.	AM380550055
PP.AC.400000	PROPOINT RJ45 FIELD INSTALL CONNECTORS (PAIR)	AM380560055

Accessories (CE)

Model No.	Description	Item Code
PP.A2.303000	3M PP LINEAR POWER INPUT CABLE CE	AM374840055
KO.KB.610000	10M KONTOUR PWR/DATA INT CBL CE	AM357520155
KO.KB.601000	1M KONTOUR PWR/DATA INT CBL CE	AM357490155
KO.KB.602000	2M KONTOUR PWR/DATA INT CBL CE	AM357500155
KO.KB.603000	3M KONTOUR PWR/DATA INT CBL CE	AM357510155

Accessories (Optional)

Model No.	Description	Item Code
KO.AA.900010	KONTOUR SAFETY CABLE 0.25M (10")	AM403000055

Our Brands

traxon e:cue

www.traxontechnologies.com | www.osram.us/traxon

©2020 TRAXON TECHNOLOGIES - AN OSRAM BUSINESS. ALL RIGHTS RESERVED. TRAXON™, TX CONNECT® ARE TRADEMARKS OF TRAXON TECHNOLOGIES. U.S. PATENTS, E.U. PATENTS, JAPAN PATENTS, OTHER PATENTS PENDING. SPECIFICATIONS ARE SUBJECT TO CHANGE WITHOUT NOTICE.

OSRAM