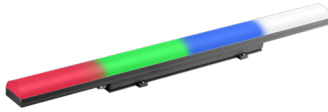


Project: \_\_\_\_\_  
 Type: \_\_\_\_\_



## ProPoint Kontour Round Narrow RGBW

The Traxon ProPoint Kontour is an AC line powered exterior luminaire used to distinguish facades, walls, and architectural borders with a concentrated, even radiance. ProPoint Kontour's compact, lowprofile design is available in four lengths, two widths and is combined with a clip mounting system for efficient installation.



### Product Specifications

	300mm	600mm	1200mm	2400mm
<b>Model</b>	Kontour Round Narrow			
<b>Light Source</b>	RGBW (White CCT: 4000K)			
<b>LED Quantity</b>	RGBW / 4-in-1 LED cluster x 30pcs	RGBW / 4-in-1 LED cluster x 60pcs	RGBW / 4-in-1 LED cluster x 120pcs	RGBW / 4-in-1 LED cluster x 240pcs
<b>Pixel Options</b>	1PXL	1PXL or 2PXL	1PXL, 2PXL or 4PXL	1PXL, 2PXL, 4PXL or 8PXL
<b>Beam Angle</b>	100° x 125°			
<b>Luminous Flux</b>	123 lm	247 lm	479 lm	986 lm
<b>Efficacy</b>	28 lm/W			
<b>Lumen Maintenance</b>	L70 @25°C 81,000hrs			
<b>Cover Lens</b>	Round diffused UV stable acrylic			
<b>Housing</b>	Extruded aluminum			
<b>Housing Finish Options</b>	Gray (RAL7015), Black (RAL9005), White (RAL9003)			
<b>Mounting</b>	Low Profile Mounting Brackets (x2 per length)			
<b>Dimensions (L)</b>	300mm / 11.8"	600mm / 23.6"	1200mm / 47.2"	2400mm / 94.5"
<b>(W x H)</b>	47.4mm x 69.5mm / 1.9" x 2.7"			
<b>Weight</b>	0.96 kg / 2.12 lbs.	1.34 kg / 2.95 lbs.	2.32 kg / 5.11 lbs.	4.06 kg / 8.95 lbs.
<b>EPA (sq.ft)</b>	<b>Front</b>	0.037		
	<b>Side</b>	0.298	0.455	0.913
	<b>Front 45°</b>	0.2107	0.3217	0.6455
<b>Regulatory Listing &amp; Safety Approval</b>	CE, IEC 60598-2-3, 3G ANSI C136.31, IK08			
<b>Operating Temperature</b>	-30°C to +55°C / -22°F to +131°F			
<b>Storage Temperature</b>	-40°C to +80°C / -40°F to +176°F			
<b>Environment</b>	Outdoor (IP66), suitable for coastal environments			
<b>Humidity</b>	85%, non-condensing			

### Electrical Specifications

<b>Input Voltage</b>	220-240V AC 50/60Hz			
<b>Power Consumption</b>	4W	8W	16W	32W
<b>Power Factor</b>	≥ 0.9			

### System Specifications

<b>Control</b>	DMX 512
<b>Power Supply</b>	Integral
<b>Addressing Options</b>	Auto-Addressed with Data Injector
<b>Pixel Control</b>	Standard luminaire controlled by 300mm / 12". Factory configurable pixel control on request, check with your local sales office for more information.

**LED CHARACTERISTICS** Because LEDs are semiconductor devices, their performances are subject to inherent variability commonly found in semiconductor industry. To improve consistency in performance across the same product, LED manufacturers "sort" LEDs into bins according to different preset parameters, such as forward driving voltage, illumination, etc. Whereas binning is a sorting function, it is not a correction process. Inherent variability in the manufacturing process results always in different binning distributions according to different production lots. Traxon uses automatically binned LEDs on its products, thereby minimizing output variations within the model range.

As with all electronic devices, LED output degrades over time – a term called lumen depreciation. This also explains why it is nearly impossible to expect photometric performances of two LED products with different service life spans to be the same. The rate of LED degrade is a complicate function of many factors such as operating efficiency, duration of continuous operation, and more significantly, environmental conditions (ambient temperature for example). If allowed working under optimal operating temperature range and with good ventilation, LED devices enjoy long service lives over conventional light sources. When using/installing LED devices, care should be taken to ensure that the devices will operate within the operating conditions specified in respective product literature.

Lumen measurement complies with LM-79-08 standard.  
 Lumen maintenance is calculated based on LM-80 compliant measurement.

[www.traxontechnologies.com](http://www.traxontechnologies.com) | [www.osram.us/traxon](http://www.osram.us/traxon)

©2021 TRAXON TECHNOLOGIES - AN OSRAM BUSINESS. ALL RIGHTS RESERVED. TRAXON™, TX CONNECT®, ARE TRADEMARKS OF TRAXON TECHNOLOGIES. U.S. PATENTS, E.U. PATENTS, JAPAN PATENTS, OTHER PATENTS PENDING. SPECIFICATIONS ARE SUBJECT TO CHANGE WITHOUT NOTICE.

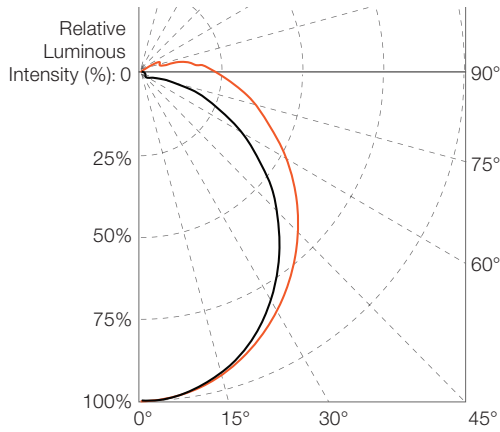
# ProPoint Kontour Round Narrow RGBW

## Photometrics

### Source Specifications

Optics 100° x 125°

### Candela Distribution



### Light Output

Color	Luminous Flux (lm)	Efficacy (lm/W)
<b>300mm</b>		
RGBW (full-on)	123.4	28.8
RGB	83.6	24.2
Red	18.7	11.2
Green	53.9	31.5
Blue	10.7	6.3
White	39.5	22.4
<b>600mm</b>		
RGBW (full-on)	247.3	28.1
RGB	167.5	24.2
Red	37.7	10.8
Green	108.0	32.0
Blue	21.4	6.3
White	79.1	23.2
<b>1200mm</b>		
RGBW (full-on)	479.9	28.0
RGB	320.4	23.2
Red	72.5	10.7
Green	210.6	31.1
Blue	39.8	5.9
White	159.5	23.5
<b>2400mm</b>		
RGBW (full-on)	986.5	28.7
RGB	665.1	23.7
Red	147.3	10.8
Green	430.4	31.6
Blue	85.9	6.0
White	315.6	23.3

### Illuminance at a Distance

	Center beam Lux/klm	Beam width (m)	
		V	H
0.5m	1146	1.95m	1.25m
1m	287	3.89m	2.51m
1.5m	127	5.84m	3.76m
2m	72	7.78m	5.01m
2.5m	46	9.73m	6.26m
3m	32	11.67m	7.52m

- Vert. Spread: 125.6°
- Horiz. Spread: 102.8°

For fc (foot candle) divide by 10.7

For feet multiply by 3.28

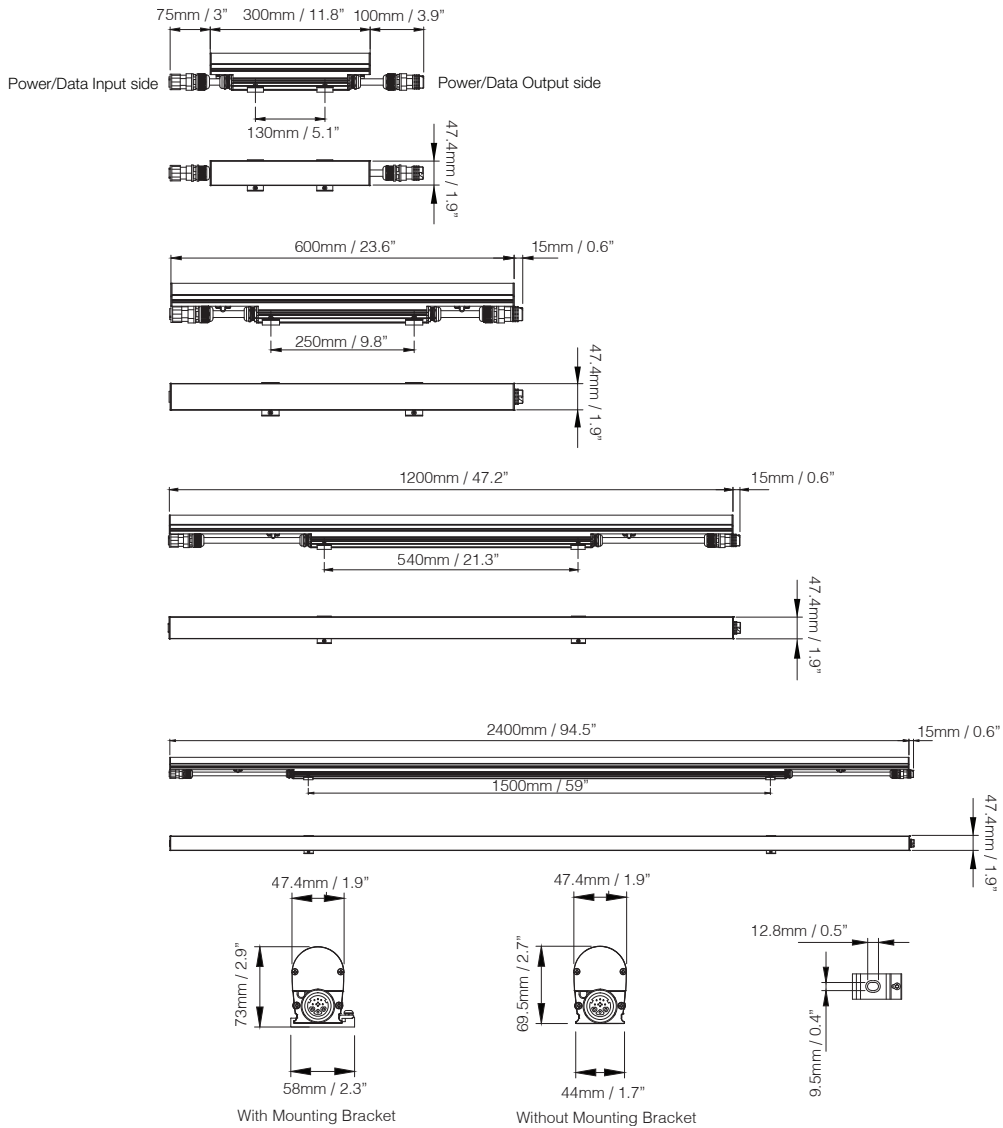
IES and LDT files are available for download from the Traxon website.

[www.traxontechnologies.com](http://www.traxontechnologies.com) | [www.osram.us/traxon](http://www.osram.us/traxon)

©2021 TRAXON TECHNOLOGIES - AN OSRAM BUSINESS. ALL RIGHTS RESERVED. TRAXON™, TX CONNECT®, ARE TRADEMARKS OF TRAXON TECHNOLOGIES. U.S. PATENTS, E.U. PATENTS, JAPAN PATENTS, OTHER PATENTS PENDING. SPECIFICATIONS ARE SUBJECT TO CHANGE WITHOUT NOTICE.

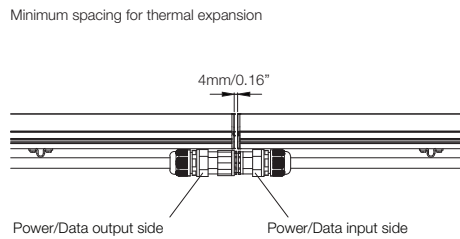
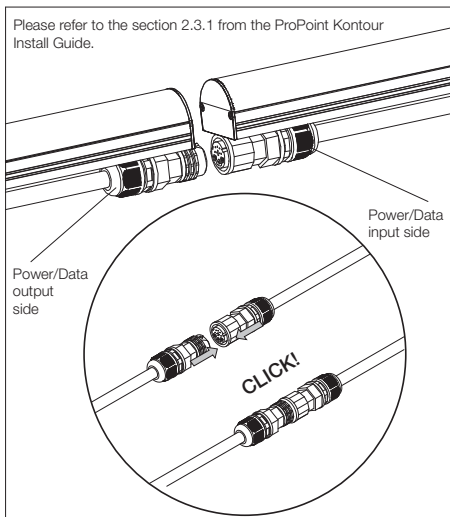
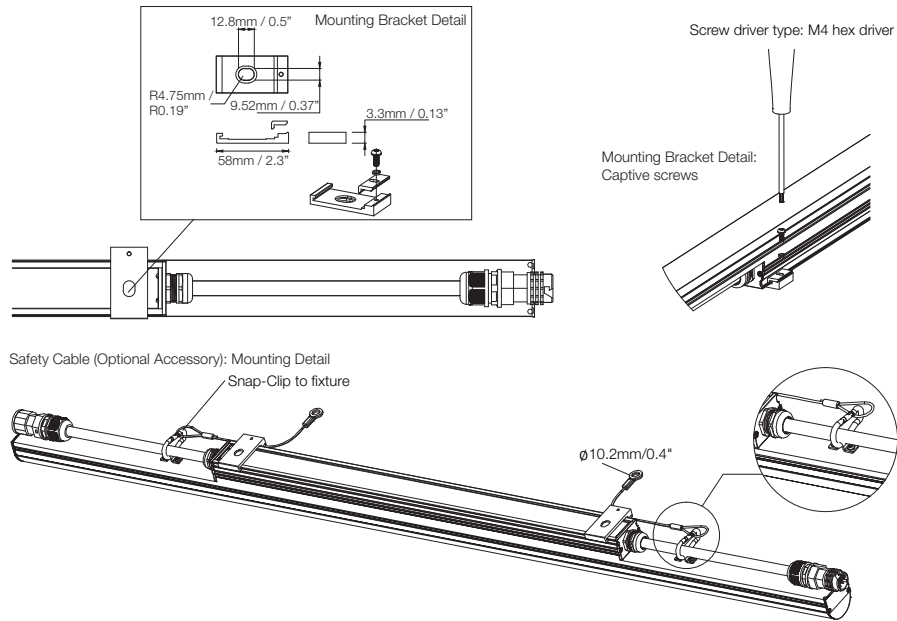
# ProPoint Kontour Round Narrow RGBW

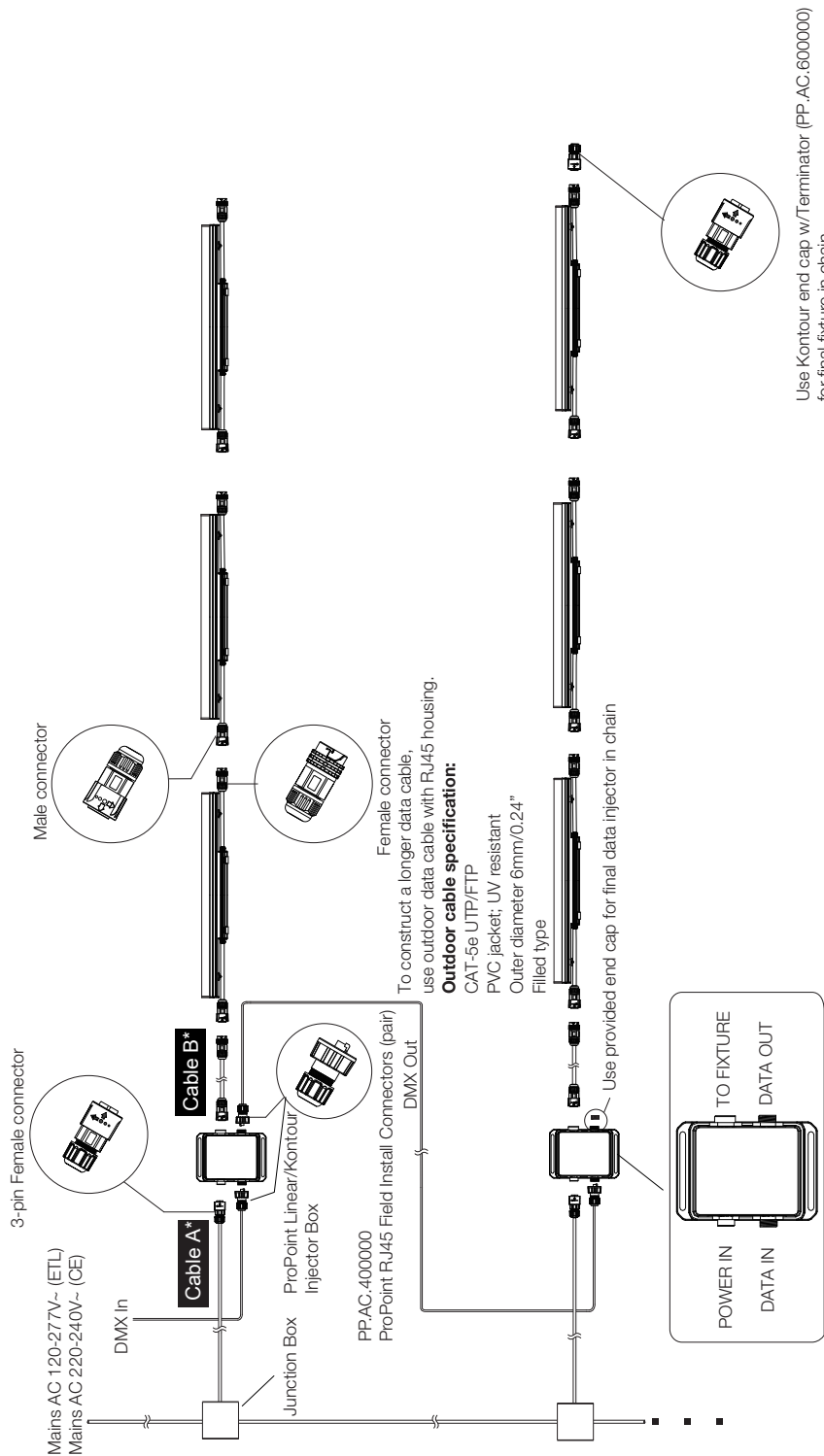
## Dimensions



# ProPoint Kontour Round Narrow RGBW

## Mounting





1. All ordering information of accessories can be referred to next page.
  2. All interconnection information can be referred to next page.
- \* Cable A; Cable B: Please refer to System Diagram Accessories table for options.

# ProPoint Kontour Round Narrow RGBW

## System Diagram

### Wiring Information Details

#### ProPoint Kontour Narrow -CE

##### 220V-240V

Model	Power Consumption (Typ.)	Input Voltage	Max Connected Chain
300mm	4W	220-240V	512
600mm	8W	220-240V	400
1200mm	16W	220-240V	200
2400mm	32W	220-240V	100

#### Accessories (ETL / CE)

Model No.	Description	Item Code
PP.AC.100001	ProPoint Linear/Kontour Injector Box	AM374890055
PP.AC.100002	ProPoint Linear/Kontour Injector Box BL	AM374900055
PP.AC.100003	ProPoint Linear/Kontour Injector Box WT	AM374910055
PP.AC.600000	PP LIN/KON End Cap W / TERM.	AM380550055
PP.AC.400000	ProPoint RJ45 Field Install Connectors (pair)	AM380560055

#### Accessories (CE)

Cable Type	Model No.	Description	Item Code
Cable A*	PP.A2.303000	3M PP Linear Power Input Cable CE	AM374840055
Cable B*	KO.KB.610000	10M Kontour PWR/DATA INT CBL CE	AM357520155
Cable B*	KO.KB.601000	1M Kontour PWR/DATA INT CBL CE	AM357490155
Cable B*	KO.KB.602000	2M Kontour PWR/DATA INT CBL CE	AM357500155
Cable B*	KO.KB.603000	3M Kontour PWR/DATA INT CBL CE	AM357510155

\* All cables come pre-wired with male / female connectors.

# ProPoint Kontour Round Narrow RGBW

Ordering

## Model Number

KXX	.	2	.	9	4	4	6	2	.	X	.	XX
Kontour Length	Width	Control	Color	CCT	Approbation	Lens		Finish	Pixel Config			
K1L: 300mm	2: Narrow	9: DMX	4: RGBW	4: 4000K	6: CE	2: Diffused Round Lens		1: Gray	01: 1PXL			
K2L: 600mm								2: Black	02: 2PXL			
K4L: 1200mm								3: White	04: 4PXL			
K8L: 2400mm									08: 8PXL			

## \*Abbreviations in Description

WD: Wide      NW: Narrow      R: Round      BL: Black      WT: White

## Fixtures

Model No.	Description	Item Code
<b>K1L.2.944621.01</b>	ProPoint Kontour R 0.3 NW RGBW 1PXL CE	AM403700055
<b>K2L.2.944621.01</b>	ProPoint Kontour R 0.6 NW RGBW 1PXL CE	AM403720055
<b>K2L.2.944621.02</b>	ProPoint Kontour R 0.6 NW RGBW 2PXL CE	AM404540055
<b>K4L.2.944621.01</b>	ProPoint Kontour R 1.2 NW RGBW 1PXL CE	AM403740055
<b>K4L.2.944621.04</b>	ProPoint Kontour R 1.2 NW RGBW 4PXL CE	AM404560055
<b>K8L.2.944621.01</b>	ProPoint Kontour R 2.4 NW RGBW 1PXL CE	AM403760055
<b>K8L.2.944621.08</b>	ProPoint Kontour R 2.4 NW RGBW 8PXL CE	AM404580055
<b>K1L.2.944622.01</b>	ProPoint Kontour R 0.3 NW RGBW 1PXL BL CE	AM403780055
<b>K2L.2.944622.01</b>	ProPoint Kontour R 0.6 NW RGBW 1PXL BL CE	AM403800055
<b>K2L.2.944622.02</b>	ProPoint Kontour R 0.6 NW RGBW 2PXL BL CE	AM404600055
<b>K4L.2.944622.01</b>	ProPoint Kontour R 1.2 NW RGBW 1PXL BL CE	AM403820055
<b>K4L.2.944622.04</b>	ProPoint Kontour R 1.2 NW RGBW 4PXL BL CE	AM404620055
<b>K8L.2.944622.01</b>	ProPoint Kontour R 2.4 NW RGBW 1PXL BL CE	AM403840055
<b>K8L.2.944622.08</b>	ProPoint Kontour R 2.4 NW RGBW 8PXL BL CE	AM404640055
<b>K1L.2.944623.01</b>	ProPoint Kontour R 0.3 NW RGBW 1PXL WT CE	AM403860055
<b>K2L.2.944623.01</b>	ProPoint Kontour R 0.6 NW RGBW 1PXL WT CE	AM403880055
<b>K2L.2.944623.02</b>	ProPoint Kontour R 0.6 NW RGBW 2PXL WT CE	AM404660055
<b>K4L.2.944623.01</b>	ProPoint Kontour R 1.2 NW RGBW 1PXL WT CE	AM403900055
<b>K4L.2.944623.04</b>	ProPoint Kontour R 1.2 NW RGBW 4PXL WT CE	AM404680055
<b>K8L.2.944623.01</b>	ProPoint Kontour R 2.4 NW RGBW 1PXL WT CE	AM403920055
<b>K8L.2.944623.08</b>	ProPoint Kontour R 2.4 NW RGBW 8PXL WT CE	AM404700055

## ProPoint Kontour Round Narrow RGBW

Ordering

### Accessories (ETL / CE)

Model No.	Description	Item Code
PP.AC.100001	ProPoint Linear/Kontour Injector Box	AM374890055
PP.AC.100002	ProPoint Linear/Kontour Injector Box BL	AM374900055
PP.AC.100003	ProPoint Linear/Kontour Injector Box WT	AM374910055
PP.AC.600000	PP LIN/KON End Cap W / TERM.	AM380550055
PP.AC.400000	ProPoint RJ45 Field Install Connectors (pair)	AM380560055

### Accessories (CE)

Model No.	Description	Item Code
PP.A2.303000	3M PP Linear Power Input Cable CE	AM374840055
KO.KB.610000	10M Kontour PWR/DATA INT CBL CE	AM357520155
KO.KB.601000	1M Kontour PWR/DATA INT CBL CE	AM357490155
KO.KB.602000	2M Kontour PWR/DATA INT CBL CE	AM357500155
KO.KB.603000	3M Kontour PWR/DATA INT CBL CE	AM357510155

### Accessories (Optional)

Model No.	Description	Item Code
KO.AA.900010	Kontour Safety Cable 0.25M (10")	AM403000055

Our Brands

traxon e:cue

OSRAM

©2021 TRAXON TECHNOLOGIES - AN OSRAM BUSINESS. ALL RIGHTS RESERVED. TRAXON™, TX CONNECT®, ARE TRADEMARKS OF TRAXON TECHNOLOGIES. U.S. PATENTS, E.U. PATENTS, JAPAN PATENTS, OTHER PATENTS PENDING. SPECIFICATIONS ARE SUBJECT TO CHANGE WITHOUT NOTICE.