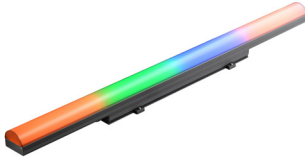


Project: \_\_\_\_\_  
 Type: \_\_\_\_\_



## ProPoint Kontour Round Wide RGBW

The Traxon ProPoint Kontour is an AC line powered exterior luminaire used to distinguish facades, walls, and architectural borders with a concentrated, even radiance. ProPoint Kontour's compact, lowprofile design is available in four lengths, two widths and is combined with a clip mounting system for efficient installation.



### Product Specifications

|   | 300mm   | 600mm                             | 1200mm                             | 2400mm                             |
|---|---|-----------------------------------|------------------------------------|------------------------------------|
| <b>Model</b>                                    | Kontour Round Wide                                |                                   |                                    |                                    |
| <b>Light Source</b>                             | RGBW (White CCT: 4000K)                           |                                   |                                    |                                    |
| <b>LED Quantity</b>                             | RGBW / 4-in-1 LED cluster x 30pcs                 | RGBW / 4-in-1 LED cluster x 60pcs | RGBW / 4-in-1 LED cluster x 120pcs | RGBW / 4-in-1 LED cluster x 240pcs |
| <b>Pixel Options</b>                            | 1PXL  | 1PXL or 2PXL                      | 1PXL, 2PXL or 4PXL                 | 1PXL, 2PXL, 4PXL or 8PXL           |
| <b>Beam Angle</b>                               | 100° x 125°                                       |                                   |                                    |                                    |
| <b>Luminous Flux</b>                            | 173 lm  | 347 lm                            | 648 lm                             | 1383 lm                            |
| <b>Efficacy</b>                                 | 32 lm/W   |                                   |                                    |                                    |
| <b>Lumen Maintenance</b>                        | L70 @25°C 81,000hrs                               |                                   |                                    |                                    |
| <b>Cover Lens</b>                               | Round diffused UV stable acrylic                  |                                   |                                    |                                    |
| <b>Housing</b>                                  | Extruded aluminum                                 |                                   |                                    |                                    |
| <b>Housing Finish Options</b>                   | Gray (RAL7015), Black (RAL9005), White (RAL9003)  |                                   |                                    |                                    |
| <b>Mounting</b>                                 | Low Profile Mounting Brackets (x2 per length)     |                                   |                                    |                                    |
| <b>Dimensions (L)</b>                           | 300mm / 11.8"                                     | 600mm / 23.6"                     | 1200mm / 47.2"                     | 2400mm / 94.5"                     |
| <b>(W x H)</b>                                  | 75mm x 89.4mm / 3" x 3.5"                         |                                   |                                    |                                    |
| <b>Weight</b>                                   | 1.35 kg / 2.98 lbs.                               | 1.86 kg / 4.10 lbs.               | 3.11 kg / 6.86 lbs.                | 5.42 kg / 11.95 lbs.               |
| <b>EPA (sq.ft)</b>                              | <b>Front</b>                                      | 0.078                             |                                    |                                    |
|   | <b>Side</b>                                       | 0.392                             | 0.630                              | 1.173                              |
|   | <b>Front 45°</b>                                  | 0.2771                            | 0.4454                             | 0.8293                             |
| <b>Regulatory Listing &amp; Safety Approval</b> | CE, IEC 60598-2-3, 3G ANSI C136.31, IK07          |                                   |                                    |                                    |
| <b>Operating Temperature</b>                    | -30°C to +55°C / -22°F to +131°F                  |                                   |                                    |                                    |
| <b>Storage Temperature</b>                      | -40°C to +80°C / -40°F to +176°F                  |                                   |                                    |                                    |
| <b>Environment</b>                              | Outdoor (IP66), suitable for coastal environments |                                   |                                    |                                    |
| <b>Humidity</b>                                 | 85%, non-condensing                               |                                   |                                    |                                    |

### Electrical Specifications

|                          |                     |     |     |     |
|--------------------------|---------------------|-----|-----|-----|
| <b>Input Voltage</b>     | 220-240V AC 50/60Hz |     |     |     |
| <b>Power Consumption</b> | 5W                  | 10W | 20W | 40W |
| <b>Power Factor</b>      | ≥ 0.9               |     |     |     |

### System Specifications

|                           |   |
|---------------------------|---|
| <b>Control</b>            | DMX 512   |
| <b>Power Supply</b>       | Integral  |
| <b>Addressing Options</b> | Auto-Addressed with Data Injector   |
| <b>Pixel Control</b>      | Standard luminaire controlled by 300mm / 12". Factory configurable pixel control on request, check with your local sales office for more information. |

**LED CHARACTERISTICS** Because LEDs are semiconductor devices, their performances are subject to inherent variability commonly found in semiconductor industry. To improve consistency in performance across the same product, LED manufacturers "sort" LEDs into bins according to different preset parameters, such as forward driving voltage, illumination, etc. Whereas binning is a sorting function, it is not a correction process. Inherent variability in the manufacturing process results always in different binning distributions according to different production lots. Traxon uses automatically binned LEDs on its products, thereby minimizing output variations within the model range.

As with all electronic devices, LED output degrades over time – a term called lumen depreciation. This also explains why it is nearly impossible to expect photometric performances of two LED products with different service life spans to be the same. The rate of LED degrade is a complicate function of many factors such as operating efficiency, duration of continuous operation, and more significantly, environmental conditions (ambient temperature for example). If allowed working under optimal operating temperature range and with good ventilation, LED devices enjoy long service lives over conventional light sources. When using/installing LED devices, care should be taken to ensure that the devices will operate within the operating conditions specified in respective product literature.

Lumen measurement complies with LM-79-08 standard.  
 Lumen maintenance is calculated based on LM-80 compliant measurement.

[www.traxontechnologies.com](http://www.traxontechnologies.com) | [www.osram.us/traxon](http://www.osram.us/traxon)

©2021 TRAXON TECHNOLOGIES - AN OSRAM BUSINESS. ALL RIGHTS RESERVED. TRAXON™, TX CONNECT®, ARE TRADEMARKS OF TRAXON TECHNOLOGIES. U.S. PATENTS, E.U. PATENTS, JAPAN PATENTS, OTHER PATENTS PENDING. SPECIFICATIONS ARE SUBJECT TO CHANGE WITHOUT NOTICE.

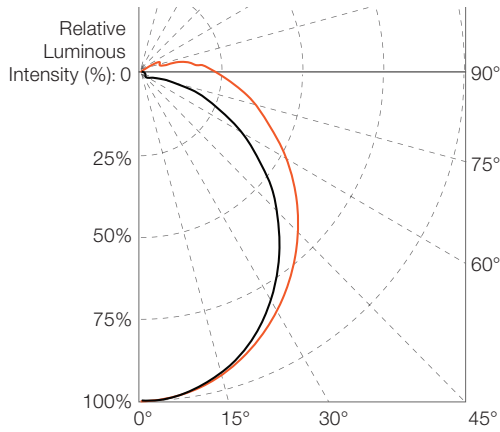
# ProPoint Kontour Round Wide RGBW

## Photometrics

### Source Specifications

Optics 100° x 125°

### Candela Distribution



### Light Output

| Color          | Luminous Flux (lm) | Efficacy (lm/W) |
|----------------|--------------------|-----------------|
| <b>300mm</b>   |                    |                 |
| RGBW (full-on) | 173.3              | 32.4            |
| RGB            | 116.6              | 27.9            |
| Red            | 27.2               | 15.4            |
| Green          | 73.3               | 41.4            |
| Blue           | 16.1               | 9.0             |
| White          | 56.3               | 31.8            |
| <b>600mm</b>   |                    |                 |
| RGBW (full-on) | 346.9              | 32.5            |
| RGB            | 233.5              | 28.1            |
| Red            | 54.5               | 15.5            |
| Green          | 146.8              | 42.1            |
| Blue           | 32.1               | 9.1             |
| White          | 112.7              | 33.9            |
| <b>1200mm</b>  |                    |                 |
| RGBW (full-on) | 648.2              | 30.4            |
| RGB            | 426.7              | 25.6            |
| Red            | 99.4               | 14.2            |
| Green          | 274.8              | 39.1            |
| Blue           | 57.6               | 8.2             |
| White          | 220.0              | 31.3            |
| <b>2400mm</b>  |                    |                 |
| RGBW (full-on) | 1382.9             | 32.4            |
| RGB            | 930.9              | 27.9            |
| Red            | 216.1              | 15.6            |
| Green          | 585.9              | 42.1            |
| Blue           | 128.6              | 9.2             |
| White          | 449.9              | 31.5            |

### Illuminance at a Distance

|      | Center beam Lux/klm | Beam width (m) |       |
|------|---------------------|----------------|-------|
|      |                     | V              | H     |
| 0.5m | 1146                | 1.95m          | 1.25m |
| 1m   | 287                 | 3.89m          | 2.51m |
| 1.5m | 127                 | 5.84m          | 3.76m |
| 2m   | 72                  | 7.78m          | 5.01m |
| 2.5m | 46                  | 9.73m          | 6.26m |
| 3m   | 32                  | 11.67m         | 7.52m |

- Vert. Spread: 125.6°
- Horiz. Spread: 102.8°

For fc (foot candle) divide by 10.7

For feet multiply by 3.28

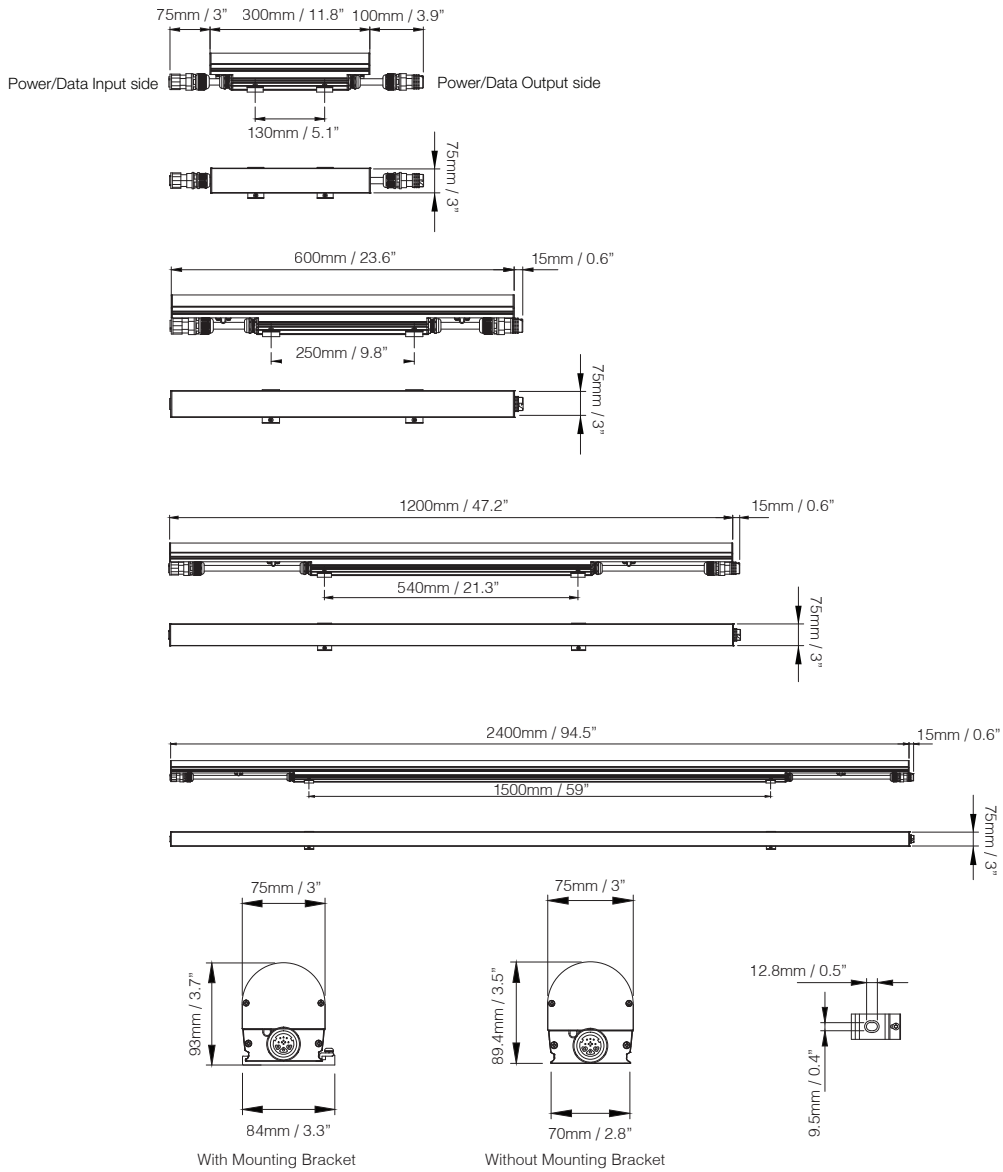
IES and LDT files are available for download from the Traxon website.

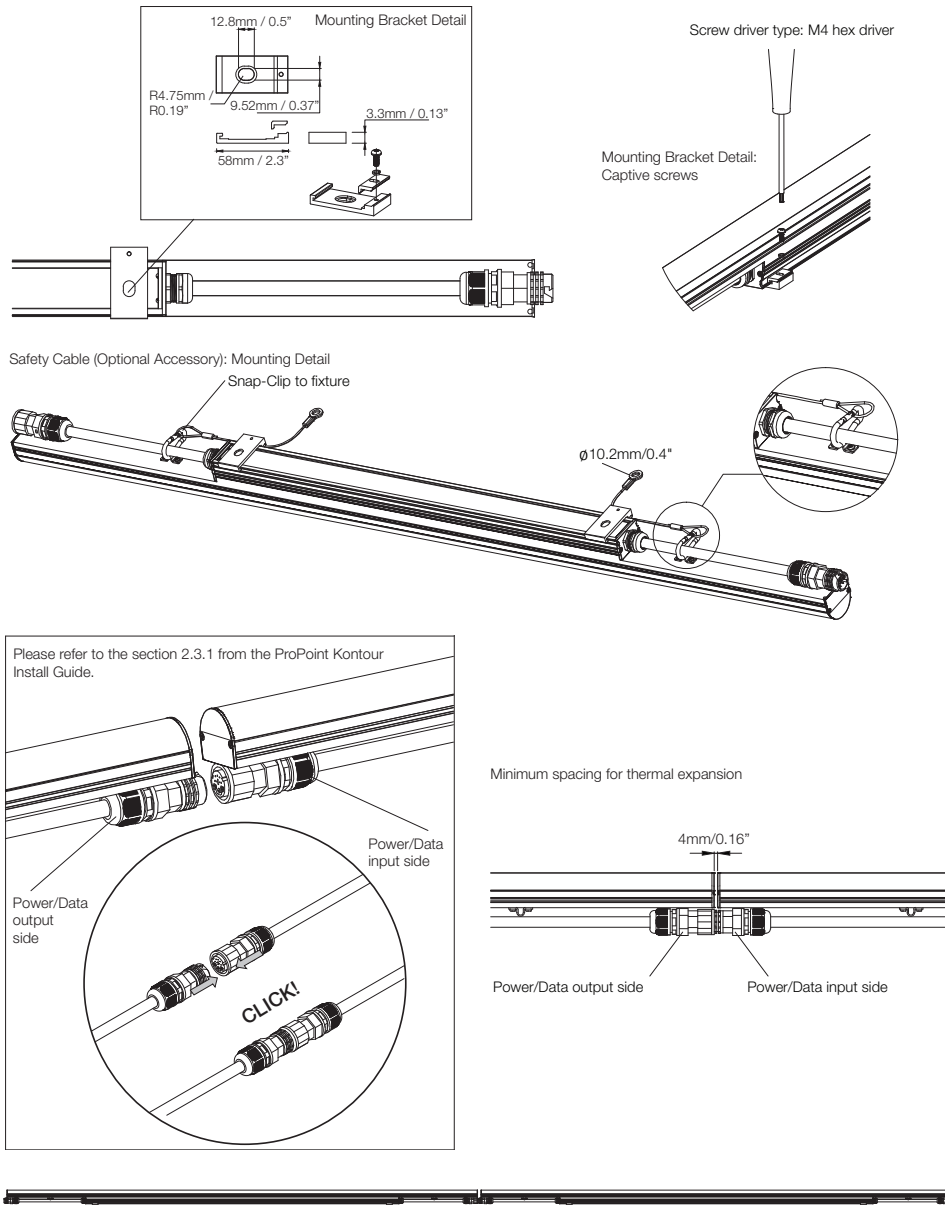
[www.traxontechnologies.com](http://www.traxontechnologies.com) | [www.osram.us/traxon](http://www.osram.us/traxon)

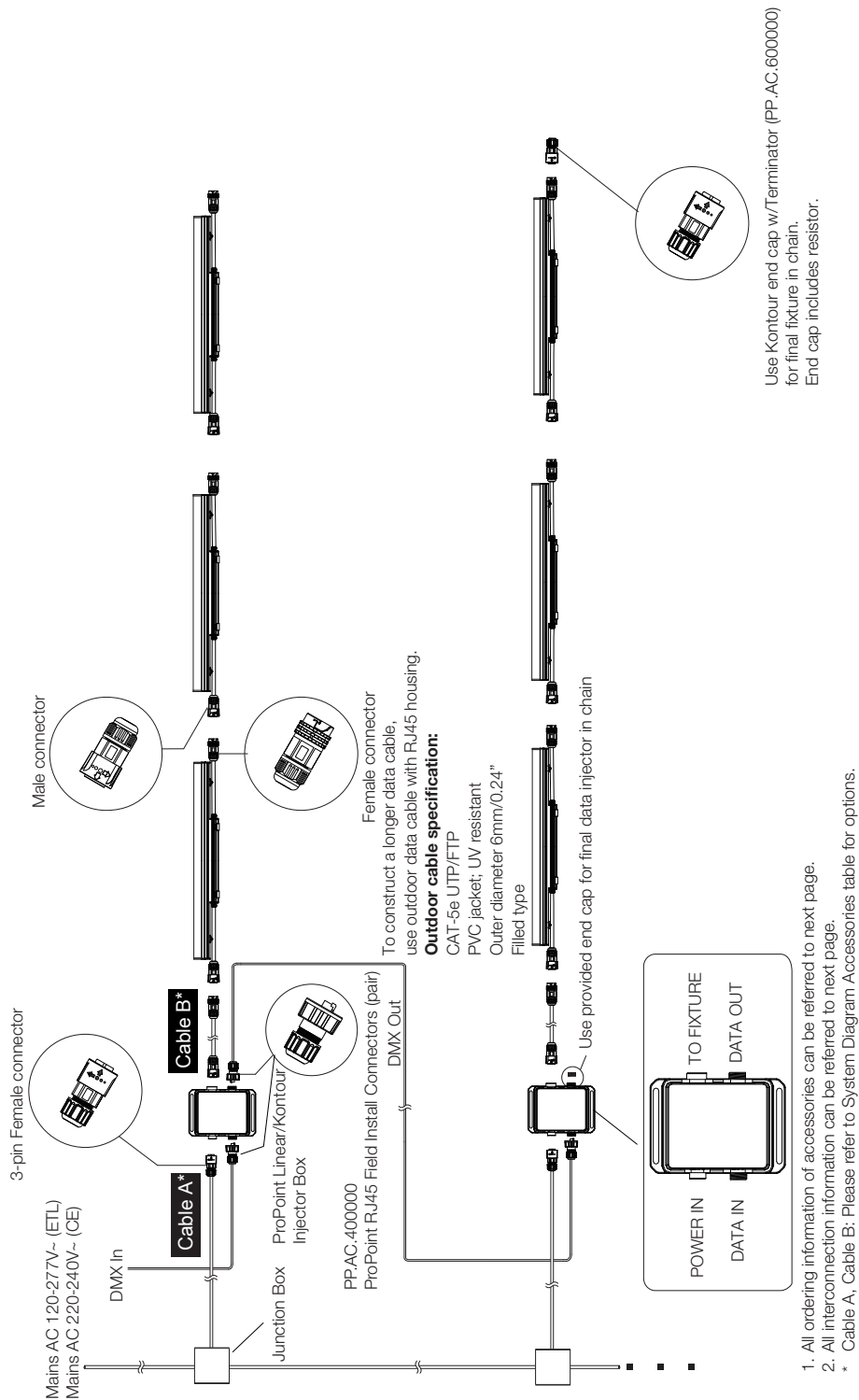
©2021 TRAXON TECHNOLOGIES - AN OSRAM BUSINESS. ALL RIGHTS RESERVED. TRAXON™, TX CONNECT®, ARE TRADEMARKS OF TRAXON TECHNOLOGIES. U.S. PATENTS, E.U. PATENTS, JAPAN PATENTS, OTHER PATENTS PENDING. SPECIFICATIONS ARE SUBJECT TO CHANGE WITHOUT NOTICE.

# ProPoint Kontour Round Wide RGBW

## Dimensions







# ProPoint Kontour Round Wide RGBW

## System Diagram

### Wiring Information Details

#### ProPoint Kontour Wide -CE

##### 220V-240V

| Model  | Power Consumption (Typ.) | Input Voltage | Max Connected Chain |
|--------|--------------------------|---------------|---------------------|
| 300mm  | 5W                       | 220-240V      | 512                 |
| 600mm  | 10W                      | 220-240V      | 320                 |
| 1200mm | 20W                      | 220-240V      | 150                 |
| 2400mm | 40W                      | 220-240V      | 80                  |

#### Accessories (ETL / CE)

| Model No.    | Description                                   | Item Code   |
|--------------|---|-------------|
| PP.AC.100001 | ProPoint Linear/Kontour Injector Box          | AM374890055 |
| PP.AC.100002 | ProPoint Linear/Kontour Injector Box BL       | AM374900055 |
| PP.AC.100003 | ProPoint Linear/Kontour Injector Box WT       | AM374910055 |
| PP.AC.600000 | PP LIN/KON End Cap W / TERM.                  | AM380550055 |
| PP.AC.400000 | ProPoint RJ45 Field Install Connectors (pair) | AM380560055 |

#### Accessories (CE)

| Cable Type | Model No.    | Description                       | Item Code   |
|------------|--------------|-----------------------------------|-------------|
| Cable A*   | PP.A2.303000 | 3M PP Linear Power Input Cable CE | AM374840055 |
| Cable B*   | KO.KB.610000 | 10M Kontour PWR/DATA INT CBL CE   | AM357520155 |
| Cable B*   | KO.KB.601000 | 1M Kontour PWR/DATA INT CBL CE    | AM357490155 |
| Cable B*   | KO.KB.602000 | 2M Kontour PWR/DATA INT CBL CE    | AM357500155 |
| Cable B*   | KO.KB.603000 | 3M Kontour PWR/DATA INT CBL CE    | AM357510155 |

\* All cables come pre-wired with male / female connectors.

# ProPoint Kontour Round Wide RGBW

Ordering

## Model Number

| KXX            | .       | 3       | .       | 9        | 4           | 4                      | 6        | 2            | X | . | XX |
|----------------|---------|---------|---------|----------|-------------|------------------------|----------|--------------|---|---|----|
| Kontour Length | Width   | Control | Color   | CCT      | Approbation | Lens                   | Finish   | Pixel Config |   |   |    |
| K1L: 300mm     | 3: Wide | 9: DMX  | 4: RGBW | 4: 4000K | 6: CE       | 2: Diffused Round Lens | 1: Gray  | 01: 1PXL     |   |   |    |
| K2L: 600mm     |         |         |         |          |             |                        | 2: Black | 02: 2PXL     |   |   |    |
| K4L: 1200mm    |         |         |         |          |             |                        | 3: White | 04: 4PXL     |   |   |    |
| K8L: 2400mm    |         |         |         |          |             |                        |          | 08: 8PXL     |   |   |    |

## \*Abbreviations in Description

WD: Wide      NW: Narrow      R: Round      BL: Black      WT: White

## Fixtures

| Model No.              | Description                               | Item Code   |
|------------------------|---|-------------|
| <b>K1L.3.944621.01</b> | ProPoint Kontour R 0.3 WD RGBW 1PXL CE    | AM403710055 |
| <b>K2L.3.944621.01</b> | ProPoint Kontour R 0.6 WD RGBW 1PXL CE    | AM403730055 |
| <b>K2L.3.944621.02</b> | ProPoint Kontour R 0.6 WD RGBW 2PXL CE    | AM404550055 |
| <b>K4L.3.944621.01</b> | ProPoint Kontour R 1.2 WD RGBW 1PXL CE    | AM403750055 |
| <b>K4L.3.944621.04</b> | ProPoint Kontour R 1.2 WD RGBW 4PXL CE    | AM404570055 |
| <b>K8L.3.944621.01</b> | ProPoint Kontour R 2.4 WD RGBW 1PXL CE    | AM403770055 |
| <b>K8L.3.944621.08</b> | ProPoint Kontour R 2.4 WD RGBW 8PXL CE    | AM404590055 |
| <b>K1L.3.944622.01</b> | ProPoint Kontour R 0.3 WD RGBW 1PXL BL CE | AM403790055 |
| <b>K2L.3.944622.01</b> | ProPoint Kontour R 0.6 WD RGBW 1PXL BL CE | AM403810055 |
| <b>K2L.3.944622.02</b> | ProPoint Kontour R 0.6 WD RGBW 2PXL BL CE | AM404610055 |
| <b>K4L.3.944622.01</b> | ProPoint Kontour R 1.2 WD RGBW 1PXL BL CE | AM403830055 |
| <b>K4L.3.944622.04</b> | ProPoint Kontour R 1.2 WD RGBW 4PXL BL CE | AM404630055 |
| <b>K8L.3.944622.01</b> | ProPoint Kontour R 2.4 WD RGBW 1PXL BL CE | AM403850055 |
| <b>K8L.3.944622.08</b> | ProPoint Kontour R 2.4 WD RGBW 8PXL BL CE | AM404650055 |
| <b>K1L.3.944623.01</b> | ProPoint Kontour R 0.3 WD RGBW 1PXL WT CE | AM403870055 |
| <b>K2L.3.944623.01</b> | ProPoint Kontour R 0.6 WD RGBW 1PXL WT CE | AM403890055 |
| <b>K2L.3.944623.02</b> | ProPoint Kontour R 0.6 WD RGBW 2PXL WT CE | AM404670055 |
| <b>K4L.3.944623.01</b> | ProPoint Kontour R 1.2 WD RGBW 1PXL WT CE | AM403910055 |
| <b>K4L.3.944623.04</b> | ProPoint Kontour R 1.2 WD RGBW 4PXL WT CE | AM404690055 |
| <b>K8L.3.944623.01</b> | ProPoint Kontour R 2.4 WD RGBW 1PXL WT CE | AM403930055 |
| <b>K8L.3.944623.08</b> | ProPoint Kontour R 2.4 WD RGBW 8PXL WT CE | AM404710055 |

## ProPoint Kontour Round Wide RGBW

Ordering

### Accessories (ETL / CE)

| Model No.    | Description                                   | Item Code   |
|--------------|---|-------------|
| PP.AC.100001 | ProPoint Linear/Kontour Injector Box          | AM374890055 |
| PP.AC.100002 | ProPoint Linear/Kontour Injector Box BL       | AM374900055 |
| PP.AC.100003 | ProPoint Linear/Kontour Injector Box WT       | AM374910055 |
| PP.AC.600000 | PP LIN/KON End Cap W / TERM.                  | AM380550055 |
| PP.AC.400000 | ProPoint RJ45 Field Install Connectors (pair) | AM380560055 |

### Accessories (CE)

| Model No.    | Description                       | Item Code   |
|--------------|-----------------------------------|-------------|
| PP.A2.303000 | 3M PP Linear Power Input Cable CE | AM374840055 |
| KO.KB.610000 | 10M Kontour PWR/DATA INT CBL CE   | AM357520155 |
| KO.KB.601000 | 1M Kontour PWR/DATA INT CBL CE    | AM357490155 |
| KO.KB.602000 | 2M Kontour PWR/DATA INT CBL CE    | AM357500155 |
| KO.KB.603000 | 3M Kontour PWR/DATA INT CBL CE    | AM357510155 |

### Accessories (Optional)

| Model No.    | Description                      | Item Code   |
|--------------|----------------------------------|-------------|
| KO.AA.900010 | Kontour Safety Cable 0.25M (10") | AM403000055 |

Our Brands

traxon e:cue

OSRAM

©2021 TRAXON TECHNOLOGIES - AN OSRAM BUSINESS. ALL RIGHTS RESERVED. TRAXON™, TX CONNECT®, ARE TRADEMARKS OF TRAXON TECHNOLOGIES. U.S. PATENTS, E.U. PATENTS, JAPAN PATENTS, OTHER PATENTS PENDING. SPECIFICATIONS ARE SUBJECT TO CHANGE WITHOUT NOTICE.