

Project: _____
 Type: _____



ProPoint Kontour Narrow White

Traxon Kontour is an AC line powered exterior luminaire used to distinguish facades, walls, and architectural borders with a concentrated, even radiance. ProPoint Kontour's compact, lowprofile design is available in four lengths, two widths and is combined with a clip mounting system for efficient installation.



Product Specifications

| | 300mm | 600mm | 1200mm | 2400mm |
|---|---|-----------------------|------------------------|------------------------|
| Model | Kontour Narrow | | | |
| Light Source | 3000K / 4000K Standard, 2200K, 2700K, 3500K, 5000K, 6500K, Red, Green, Blue, Amber available ¹ | | | |
| LED Quantity | White / color x 42pcs | White / color x 84pcs | White / color x 168pcs | White / color x 336pcs |
| Beam Angle | 120° | | | |
| Luminous Flux (3000K) | 362 lm | 678 lm | 1365 lm | 2790 lm |
| (4000K) | 381 lm | 712 lm | 1461 lm | 2935 lm |
| Efficacy | 84lm / W (3000K) 90lm / W (4000K) | | | |
| Lumen Maintenance | L70 @25°C -81,000hrs | | | |
| Cover Lens | Diffused UV stable acrylic | | | |
| Housing | Extruded Aluminum | | | |
| Housing Finish Options | Gray (RAL7015), Black (RAL9005), White (RAL9003) | | | |
| Mounting | Low Profile Mounting Brackets (x2 per length) | | | |
| Dimensions (L) | 300mm / 11.8" | 600mm / 23.6" | 1200mm / 47.2" | 2400mm / 94.5" |
| (W x H) | 46.5mm x 59.5mm / 1.8" x 2.3" | | | |
| Weight | 0.9 kg / 2 lbs. | 1.3 kg / 2.9 lbs. | 2.1 kg / 4.6 lbs. | 3.8 kg / 8.4 lbs. |
| EPA (sq.ft) | Front | 0.032 | | |
| | Side | 0.258 | 0.392 | 0.787 |
| | Front 45° | 0.1824 | 0.2771 | 0.5564 |
| Regulatory Listing & Safety Approval | CE, IEC 60598-2-3, 3G ANSI C136.31, IK08 | | | |
| Operating Temperature | -30°C to +55°C / -22°F to +131°F | | | |
| Storage Temperature | -40°C to +80°C / -40°F to +176°F | | | |
| Environment | Outdoor (IP66), suitable for coastal environments | | | |
| Humidity | 85%, non-condensing | | | |
| Electrical Specifications | | | | |
| Input Voltage | 220-240V AC | | | |
| Power Consumption | 4W | 8W | 16W | 32W |
| Power Factor | ≥ 0.9 | | | |
| System Specifications | | | | |
| Control | DMX 512 | | | |
| Power Supply | Integral | | | |
| Addressing Options | Auto-Addressed with Data Injector | | | |
| Pixel Control | Standard luminaire controlled by 12" / 300mm. Factory set to other pixel configurations on request. | | | |

1. No MO required. Please consult regional sales office for pricing and lead time.

LED CHARACTERISTICS Because LEDs are semiconductor devices, their performances are subject to inherent variability commonly found in semiconductor industry. To improve consistency in performance across the same product, LED manufacturers "sort" LEDs into bins according to different preset parameters, such as forward driving voltage, illumination, etc. Whereas binning is a sorting function, it is not a correction process. Inherent variability in the manufacturing process results always in different binning distributions according to different production lots. Traxon uses automatically binned LEDs on its products, thereby minimizing output variations within the model range.

As with all electronic devices, LED output degrades over time – a term called lumen depreciation. This also explains why it is nearly impossible to expect photometric performances of two LED products with different service life spans to be the same. The rate of LED degrade is a complicate function of many factors such as operating efficiency, duration of continuous operation, and more significantly, environmental conditions (ambient temperature for example). If allowed working under optimal operating temperature range and with good ventilation, LED devices enjoy long service lives over conventional light sources. When using/installing LED devices, care should be taken to ensure that the devices will operate within the operating conditions specified in respective product literature.

Lumen measurement complies with LM-79-08 standard.
 Lumen maintenance is calculated based on LM-80 compliant measurement.

www.traxontechnologies.com | www.osram.us/traxon

©2021 TRAXON TECHNOLOGIES - AN OSRAM BUSINESS. ALL RIGHTS RESERVED. TRAXON™, TX CONNECT®, ARE TRADEMARKS OF TRAXON TECHNOLOGIES. U.S. PATENTS, E.U. PATENTS, JAPAN PATENTS, OTHER PATENTS PENDING. SPECIFICATIONS ARE SUBJECT TO CHANGE WITHOUT NOTICE.

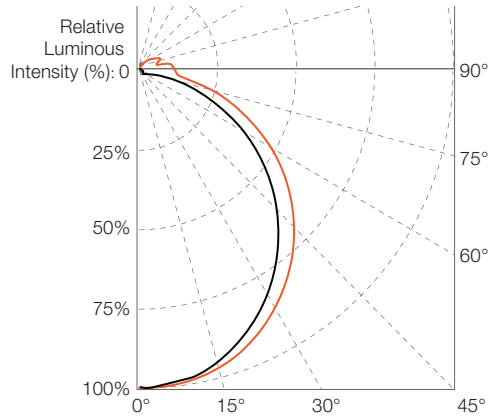
ProPoint Kontour Narrow White

Photometrics

Source Specifications

Optics 120°

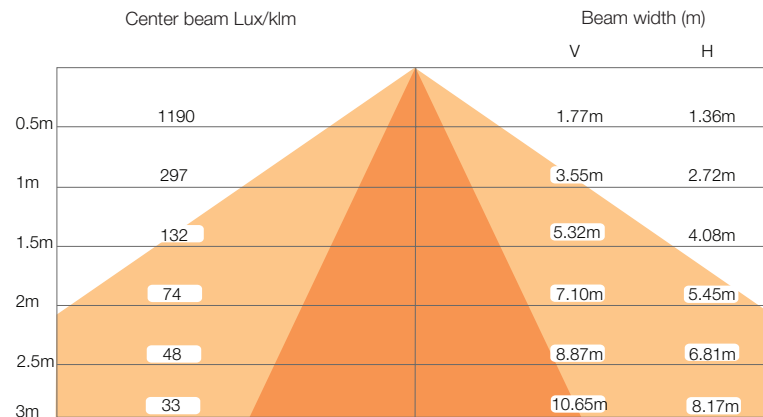
Candela Distribution



Light Output

| Color | Luminous Flux (lm) | Efficacy (lm/W) |
|---------------|--------------------|-----------------|
| 300mm | | |
| 3000K | 362.5 | 83.8 |
| 4000K | 381.03 | 88.1 |
| 600mm | | |
| 3000K | 678.67 | 83.6 |
| 4000K | 712.15 | 88.6 |
| 1200mm | | |
| 3000K | 1365 | 84.8 |
| 4000K | 1461 | 88.8 |
| 2400mm | | |
| 3000K | 2790.29 | 85.3 |
| 4000K | 2935.1 | 89.2 |

Illuminance at a Distance



- Vert. Spread: 107.4°
- Horiz. Spread: 121.2°

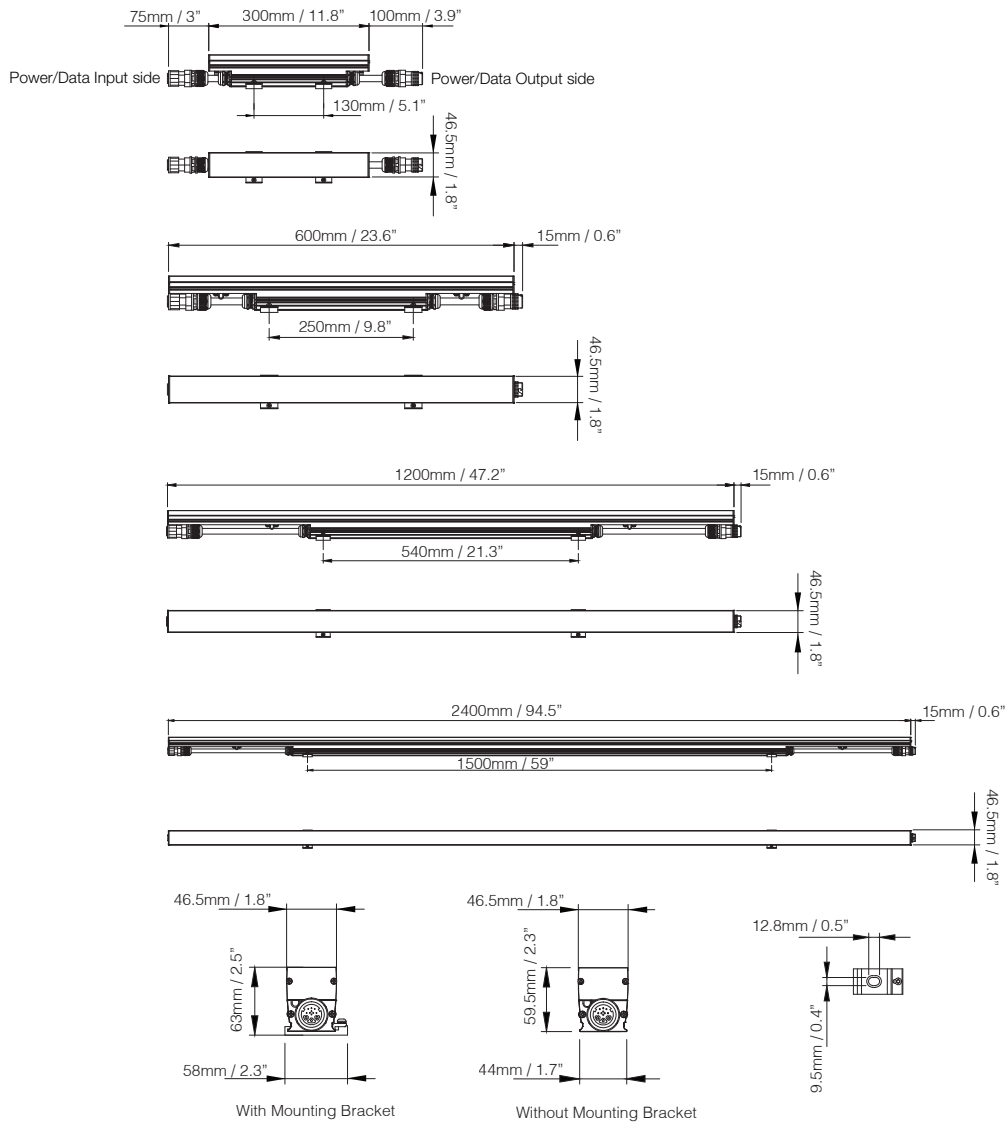
For fc divide by 10.7

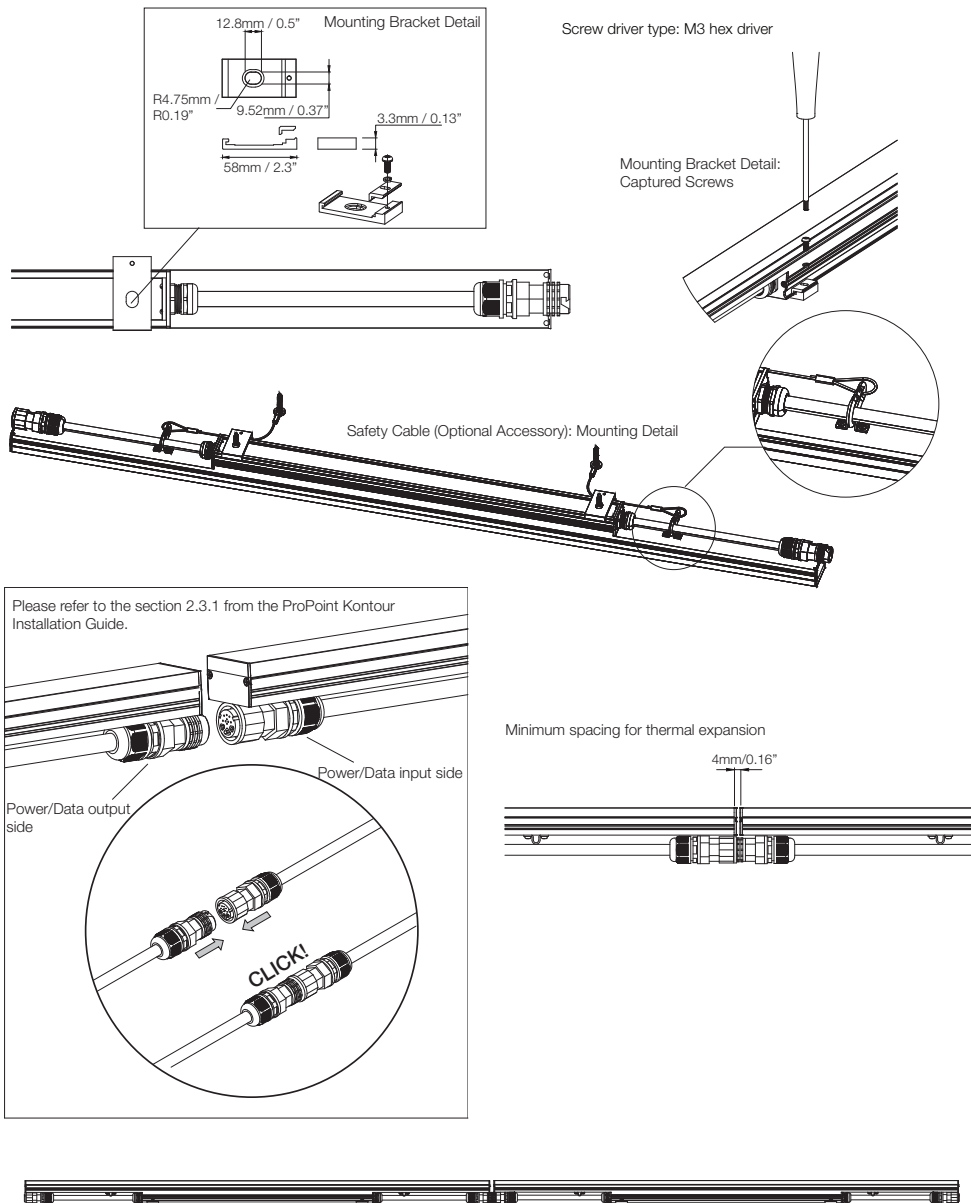
For feet multiply by 3.28

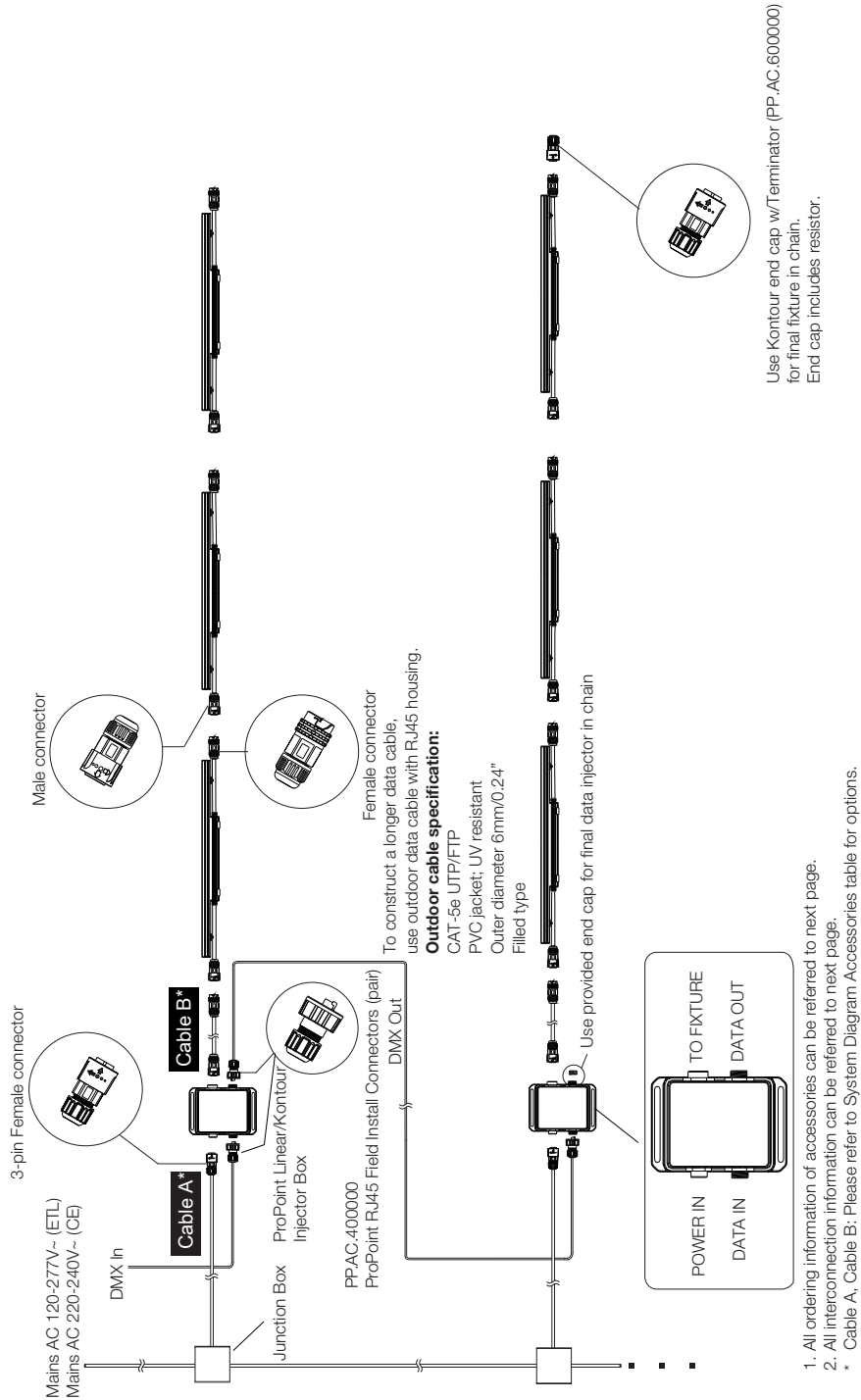
IES and LDT files are available for download from the Traxon website.

ProPoint Kontour Narrow White

Dimensions







ProPoint Kontour Narrow White

System Diagram

Wiring Information Details

ProPoint Kontour Narrow -CE

220V-240V

| Model | Power Consumption (Typ.) | Input Voltage | Max Connected Chain |
|--------|--------------------------|---------------|---------------------|
| 300mm | 4W | 220-240V | 512 |
| 600mm | 8W | 220-240V | 400 |
| 1200mm | 16W | 220-240V | 200 |
| 2400mm | 32W | 220-240V | 100 |

Accessories (ETL / CE)

| Model No. | Description | Item Code |
|--------------|---|-------------|
| PP.AC.100001 | PROPOINT LINEAR/KONTOUR INJECTOR BOX | AM374890055 |
| PP.AC.100002 | PROPOINT LINEAR/KONTOUR INJECTOR BOX BL | AM374900055 |
| PP.AC.100003 | PROPOINT LINEAR/KONTOUR INJECTOR BOX WT | AM374910055 |
| PP.AC.600000 | PP LIN/KON END CAP W/ TERM. | AM380550055 |
| PP.AC.400000 | PROPOINT RJ45 FIELD INSTALL CONNECTORS (PAIR) | AM380560055 |

Accessories (CE)

| Cable Type | Model No. | Description | Item Code |
|------------|---------------|-----------------------------------|-------------|
| Cable A* | PP. A2.303000 | 3M PP LINEAR POWER INPUT CABLE CE | AM374840055 |
| Cable B* | KO.KB.610000 | 10M KONTOUR PWR/DATA INT CBL CE | AM357520155 |
| Cable B* | KO.KB.601000 | 1M KONTOUR PWR/DATA INT CBL CE | AM357490155 |
| Cable B* | KO.KB.602000 | 2M KONTOUR PWR/DATA INT CBL CE | AM357500155 |
| Cable B* | KO.KB.603000 | 3M KONTOUR PWR/DATA INT CBL CE | AM357510155 |

* All cables come pre-wired with male / female connectors.

ProPoint Kontour Narrow White

Ordering

Model Number

| KXX | . | 2 | . | 9 | 1 | X | 6 | 1 | X | . | XX |
|----------------|----------------|---------|-------|----------|-------------|------------------|----------|--------------|---|---|----|
| Kontour Length | Width | Control | Color | CCT | Approbation | Lens | Finish | Pixel Config | | | |
| K1L: 1' | 2: 46.5mm/1.8" | 9: DMX | 1: SW | 3: 3000K | 6: CE | 1: Diffused Lens | 1: Gray | 01: 1PXL | | | |
| K2L: 2' | | | | 4: 4000K | | | 2: Black | 02: 2PXL | | | |
| K4L: 4' | | | | | | | 3: White | 04: 4PXL | | | |
| K8L: 8' | | | | | | | | 08: 8PXL | | | |

*Abbreviations in Description

WD: Wide NW: Narrow F: Flat BL: Black WT: White

Fixtures

| Model No. | Description | Item Code |
|-----------------|--|-------------|
| K1L.2.913611.01 | PROPOINT KONTOUR F 0.3 NW 3000K 1PXL CE | AM395820055 |
| K2L.2.913611.01 | PROPOINT KONTOUR F 0.6 NW 3000K 1PXL CE | AM395940055 |
| K2L.2.913611.02 | PROPOINT KONTOUR F 0.6 NW 3000K 2PXL CE | AM396780055 |
| K4L.2.913611.01 | PROPOINT KONTOUR F 1.2 NW 3000K 1PXL CE | AM396060055 |
| K4L.2.913611.04 | PROPOINT KONTOUR F 1.2 NW 3000K 4PXL CE | AM396900055 |
| K8L.2.913611.01 | PROPOINT KONTOUR F 2.4 NW 3000K 1PXL CE | AM396180055 |
| K8L.2.913611.08 | PROPOINT KONTOUR F 2.4 NW 3000K 8PXL CE | AM397020055 |
| K1L.2.914611.01 | PROPOINT KONTOUR F 0.3 NW 4000K 1PXL CE | AM395830055 |
| K2L.2.914611.01 | PROPOINT KONTOUR F 0.6 NW 4000K 1PXL CE | AM395950055 |
| K2L.2.914611.02 | PROPOINT KONTOUR F 0.6 NW 4000K 2PXL CE | AM396790055 |
| K4L.2.914611.01 | PROPOINT KONTOUR F 1.2 NW 4000K 1PXL CE | AM396070055 |
| K4L.2.914611.04 | PROPOINT KONTOUR F 1.2 NW 4000K 4PXL CE | AM396910055 |
| K8L.2.914611.01 | PROPOINT KONTOUR F 2.4 NW 4000K 1PXL CE | AM396190055 |
| K8L.2.914611.08 | PROPOINT KONTOUR F 2.4 NW 4000K 8PXL CE | AM397030055 |
| K1L.2.913612.01 | PROPOINT KONTOUR F 0.3 NW 3000K 1PXL BL CE | AM395860055 |
| K2L.2.913612.01 | PROPOINT KONTOUR F 0.6 NW 3000K 1PXL BL CE | AM395980055 |
| K2L.2.913612.02 | PROPOINT KONTOUR F 0.6 NW 3000K 2PXL BL CE | AM396820055 |
| K4L.2.913612.01 | PROPOINT KONTOUR F 1.2 NW 3000K 1PXL BL CE | AM396100055 |
| K4L.2.913612.04 | PROPOINT KONTOUR F 1.2 NW 3000K 4PXL BL CE | AM396940055 |
| K8L.2.913612.01 | PROPOINT KONTOUR F 2.4 NW 3000K 1PXL BL CE | AM396220055 |
| K8L.2.913612.08 | PROPOINT KONTOUR F 2.4 NW 3000K 8PXL BL CE | AM397060055 |
| K1L.2.914612.01 | PROPOINT KONTOUR F 0.3 NW 4000K 1PXL BL CE | AM395870055 |
| K2L.2.914612.01 | PROPOINT KONTOUR F 0.6 NW 4000K 1PXL BL CE | AM395990055 |
| K2L.2.914612.02 | PROPOINT KONTOUR F 0.6 NW 4000K 2PXL BL CE | AM396830055 |
| K4L.2.914612.01 | PROPOINT KONTOUR F 1.2 NW 4000K 1PXL BL CE | AM396110055 |
| K4L.2.914612.04 | PROPOINT KONTOUR F 1.2 NW 4000K 4PXL BL CE | AM396950055 |
| K8L.2.914612.01 | PROPOINT KONTOUR F 2.4 NW 4000K 1PXL BL CE | AM396230055 |
| K8L.2.914612.08 | PROPOINT KONTOUR F 2.4 NW 4000K 8PXL BL CE | AM397070055 |

www.traxontechnologies.com | www.osram.us/traxon

©2021 TRAXON TECHNOLOGIES - AN OSRAM BUSINESS. ALL RIGHTS RESERVED. TRAXON™, TX CONNECT®, ARE TRADEMARKS OF TRAXON TECHNOLOGIES. U.S. PATENTS, E.U. PATENTS, JAPAN PATENTS, OTHER PATENTS PENDING. SPECIFICATIONS ARE SUBJECT TO CHANGE WITHOUT NOTICE.

ProPoint Kontour Narrow White

Ordering

Fixtures

| Model No. | Description | Item Code |
|-----------------|--|-------------|
| K1L.2.913613.01 | PROPOINT KONTOUR F 0.3 NW 3000K 1PXL WT CE | AM395900055 |
| K2L.2.913613.01 | PROPOINT KONTOUR F 0.6 NW 3000K 1PXL WT CE | AM396020055 |
| K2L.2.913613.02 | PROPOINT KONTOUR F 0.6 NW 3000K 2PXL WT CE | AM396860055 |
| K4L.2.913613.01 | PROPOINT KONTOUR F 1.2 NW 3000K 1PXL WT CE | AM396140055 |
| K4L.2.913613.04 | PROPOINT KONTOUR F 1.2 NW 3000K 4PXL WT CE | AM396980055 |
| K8L.2.913613.01 | PROPOINT KONTOUR F 2.4 NW 3000K 1PXL WT CE | AM396260055 |
| K8L.2.913613.08 | PROPOINT KONTOUR F 2.4 NW 3000K 8PXL WT CE | AM397100055 |
| K1L.2.914613.01 | PROPOINT KONTOUR F 0.3 NW 4000K 1PXL WT CE | AM395910055 |
| K2L.2.914613.01 | PROPOINT KONTOUR F 0.6 NW 4000K 1PXL WT CE | AM396030055 |
| K2L.2.914613.02 | PROPOINT KONTOUR F 0.6 NW 4000K 2PXL WT CE | AM396870055 |
| K4L.2.914613.01 | PROPOINT KONTOUR F 1.2 NW 4000K 1PXL WT CE | AM396150055 |
| K4L.2.914613.04 | PROPOINT KONTOUR F 1.2 NW 4000K 4PXL WT CE | AM396990055 |
| K8L.2.914613.01 | PROPOINT KONTOUR F 2.4 NW 4000K 1PXL WT CE | AM396270055 |
| K8L.2.914613.08 | PROPOINT KONTOUR F 2.4 NW 4000K 8PXL WT CE | AM397110055 |

Accessories (ETL / CE)

| Model No. | Description | Item Code |
|--------------|---|-------------|
| PP.AC.100001 | PROPOINT LINEAR/KONTOUR INJECTOR BOX | AM374890055 |
| PP.AC.100002 | PROPOINT LINEAR/KONTOUR INJECTOR BOX BL | AM374900055 |
| PP.AC.100003 | PROPOINT LINEAR/KONTOUR INJECTOR BOX WT | AM374910055 |
| PP.AC.600000 | PP LIN/KON END CAP W/ TERM. | AM380550055 |
| PP.AC.400000 | PROPOINT RJ45 FIELD INSTALL CONNECTORS (PAIR) | AM380560055 |

Accessories (CE)

| Model No. | Description | Item Code |
|--------------|-----------------------------------|-------------|
| PP.A2.303000 | 3M PP LINEAR POWER INPUT CABLE CE | AM374840055 |
| KO.KB.610000 | 10M KONTOUR PWR/DATA INT CBL CE | AM357520155 |
| KO.KB.601000 | 1M KONTOUR PWR/DATA INT CBL CE | AM357490155 |
| KO.KB.602000 | 2M KONTOUR PWR/DATA INT CBL CE | AM357500155 |
| KO.KB.603000 | 3M KONTOUR PWR/DATA INT CBL CE | AM357510155 |

Accessories (Optional)

| Model No. | Description | Item Code |
|--------------|----------------------------------|-------------|
| KO.AA.900010 | KONTOUR SAFETY CABLE 0.25M (10") | AM403000055 |

Our Brands

traxon e:cue

www.traxontechnologies.com | www.osram.us/traxon

OSRAM

©2021 TRAXON TECHNOLOGIES - AN OSRAM BUSINESS. ALL RIGHTS RESERVED. TRAXON™, TX CONNECT®, ARE TRADEMARKS OF TRAXON TECHNOLOGIES. U.S. PATENTS, E.U. PATENTS, JAPAN PATENTS, OTHER PATENTS PENDING. SPECIFICATIONS ARE SUBJECT TO CHANGE WITHOUT NOTICE.