

Project: _____
 Type: _____



ProPoint Kontour Round Narrow White

The Traxon ProPoint Kontour is an AC line powered exterior luminaire used to distinguish facades, walls, and architectural borders with a concentrated, even radiance. ProPoint Kontour's compact, lowprofile design is available in four lengths, two widths and is combined with a clip mounting system for efficient installation.



Product Specifications

	300mm	600mm	1200mm	2400mm
Model	Kontour Round Narrow			
Light Source	3000K / 4000K Standard, 2200K, 2700K, 3500K, 5000K, 6500K, Red, Green, Blue, Amber available ¹			
LED Quantity	Static white / color x 42pcs	Static white / color x 84pcs	Static white / color x 168pcs	Static white / color x 336pcs
Pixel Options	1PXL	1PXL or 2PXL	1PXL, 2PXL or 4PXL	1PXL, 2PXL, 4PXL or 8PXL
Beam Angle	100° x 125°			
Luminous Flux (3000K)	354 lm	708 lm	1434 lm	2832 lm
(4000K)	378 lm	760 lm	1510 lm	3017 lm
Efficacy	86 lm / W (3000K) 93 lm / W (4000K)			
Lumen Maintenance	L70 @25°C 81,000hrs			
Cover Lens	Round diffused UV stable acrylic			
Housing	Extruded aluminum			
Housing Finish Options	Gray (RAL7015), Black (RAL9005), White (RAL9003)			
Mounting	Low Profile Mounting Brackets (x2 per length)			
Dimensions (L)	300mm / 11.8"	600mm / 23.6"	1200mm / 47.2"	2400mm / 94.5"
(W x H)	47.4mm x 69.5mm / 1.9" x 2.7"			
Weight	0.96 kg / 2.12 lbs.	1.34 kg / 2.95 lbs.	2.32 kg / 5.11 lbs.	4.06 kg / 8.95 lbs.
EPA (sq.ft)	Front	0.037		
	Side	0.298	0.455	0.913
	Front 45°	0.2107	0.3217	0.6455
Regulatory Listing & Safety Approval	CE, IEC 60598-2-3, 3G ANSI C136.31, IK08			
Operating Temperature	-30°C to +55°C / -22°F to +131°F			
Storage Temperature	-40°C to +80°C / -40°F to +176°F			
Environment	Outdoor (IP66), suitable for coastal environments			
Humidity	85%, non-condensing			
Electrical Specifications				
Input Voltage	220-240V AC 50/60Hz			
Power Consumption	4W	8W	16W	32W
Power Factor	≥ 0.9			
System Specifications				
Control	DMX 512			
Power Supply	Integral			
Addressing Options	Auto-Addressed with Data Injector			
Pixel Control	Standard luminaire controlled by 300mm / 12". Factory configurable pixel control on request, check with your local sales office for more information.			

1. No MOQ required. Please consult regional sales office for pricing and lead time.

LED CHARACTERISTICS Because LEDs are semiconductor devices, their performances are subject to inherent variability commonly found in semiconductor industry. To improve consistency in performance across the same product, LED manufacturers "sort" LEDs into bins according to different preset parameters, such as forward driving voltage, illumination, etc. Whereas binning is a sorting function, it is not a correction process. Inherent variability in the manufacturing process results always in different binning distributions according to different production lots. Traxon uses automatically binned LEDs on its products, thereby minimizing output variations within the model range.

As with all electronic devices, LED output degrades over time – a term called lumen depreciation. This also explains why it is nearly impossible to expect photometric performances of two LED products with different service life spans to be the same. The rate of LED degrade is a complicate function of many factors such as operating efficiency, duration of continuous operation, and more significantly, environmental conditions (ambient temperature for example). If allowed working under optimal operating temperature range and with good ventilation, LED devices enjoy long service lives over conventional light sources. When using/installing LED devices, care should be taken to ensure that the devices will operate within the operating conditions specified in respective product literature.

Lumen measurement complies with LM-79-08 standard.
 Lumen maintenance is calculated based on LM-80 compliant measurement.

www.traxontechnologies.com | www.osram.us/traxon

©2021 TRAXON TECHNOLOGIES - AN OSRAM BUSINESS. ALL RIGHTS RESERVED. TRAXON™, TX CONNECT®, ARE TRADEMARKS OF TRAXON TECHNOLOGIES. U.S. PATENTS, E.U. PATENTS, JAPAN PATENTS, OTHER PATENTS PENDING. SPECIFICATIONS ARE SUBJECT TO CHANGE WITHOUT NOTICE.

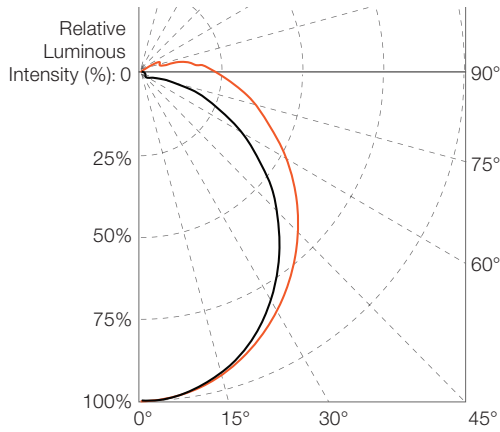
ProPoint Kontour Round Narrow White

Photometrics

Source Specifications

Optics 100° x 125°

Candela Distribution



Light Output

Color	Luminous Flux (lm)	Efficacy (lm/W)
300mm		
3000K	354.4	85.8
4000K	377.7	92.6
600mm		
3000K	707.8	85.7
4000K	759.9	93.1
1200mm		
3000K	1434.1	86.3
4000K	1509.6	92.6
2400mm		
3000K	2831.8	85.7
4000K	3016.7	92.8

Illuminance at a Distance

	Center beam Lux/klm		Beam width (m)	
	V	H	V	H
0.5m	1146	1.95m	1.25m	
1m	287	3.89m	2.51m	
1.5m	127	5.84m	3.76m	
2m	72	7.78m	5.01m	
2.5m	46	9.73m	6.26m	
3m	32	11.67m	7.52m	

- Vert. Spread: 125.6°
- Horiz. Spread: 102.8°

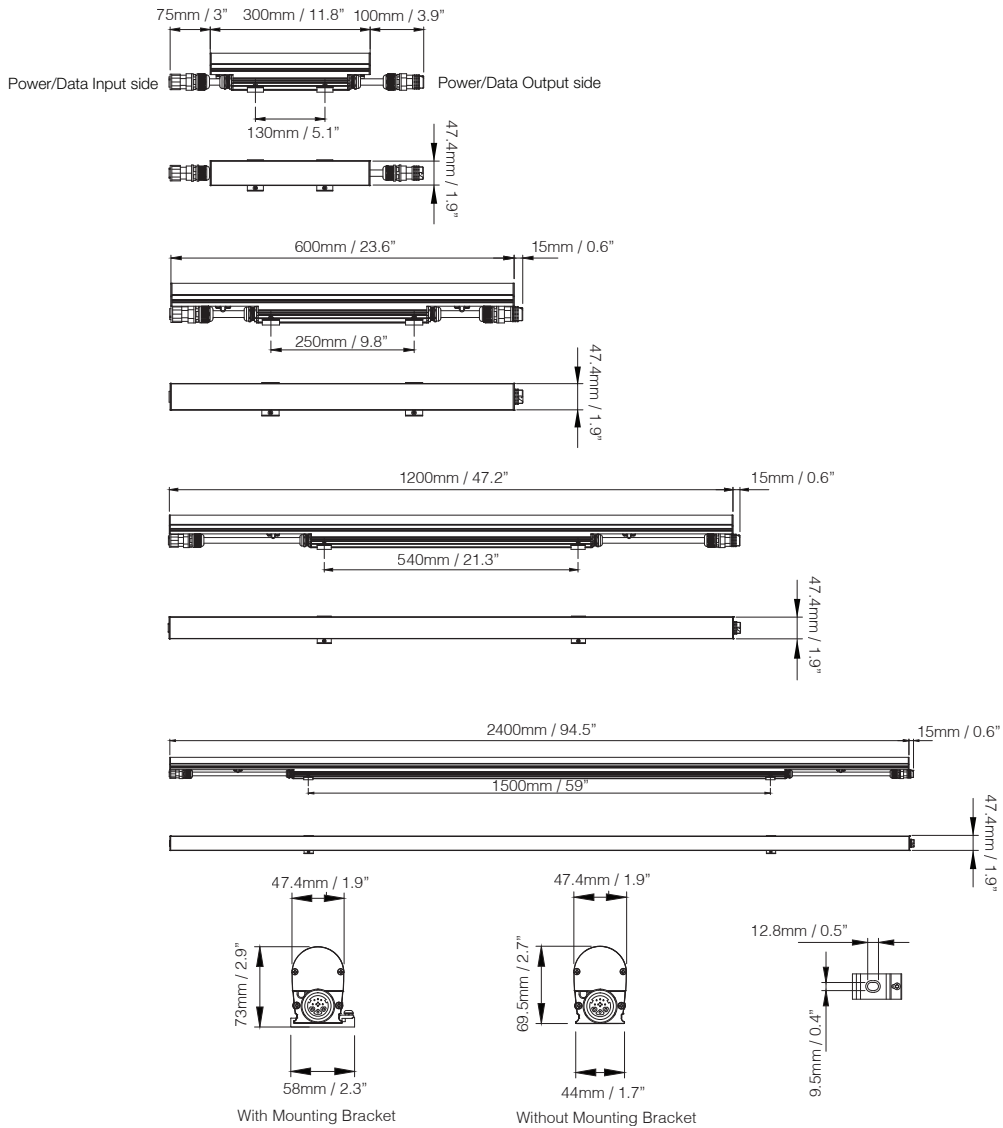
For fc (foot candle) divide by 10.7

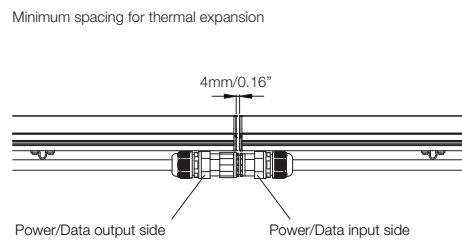
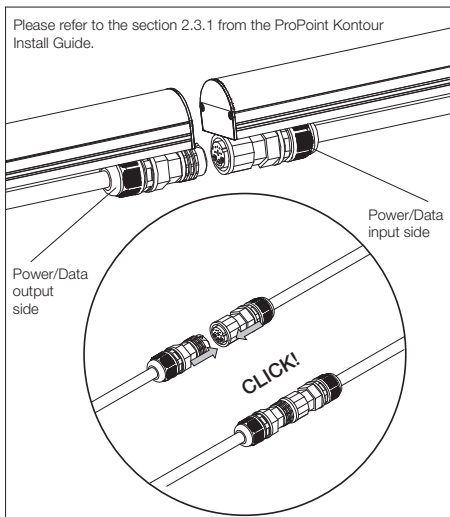
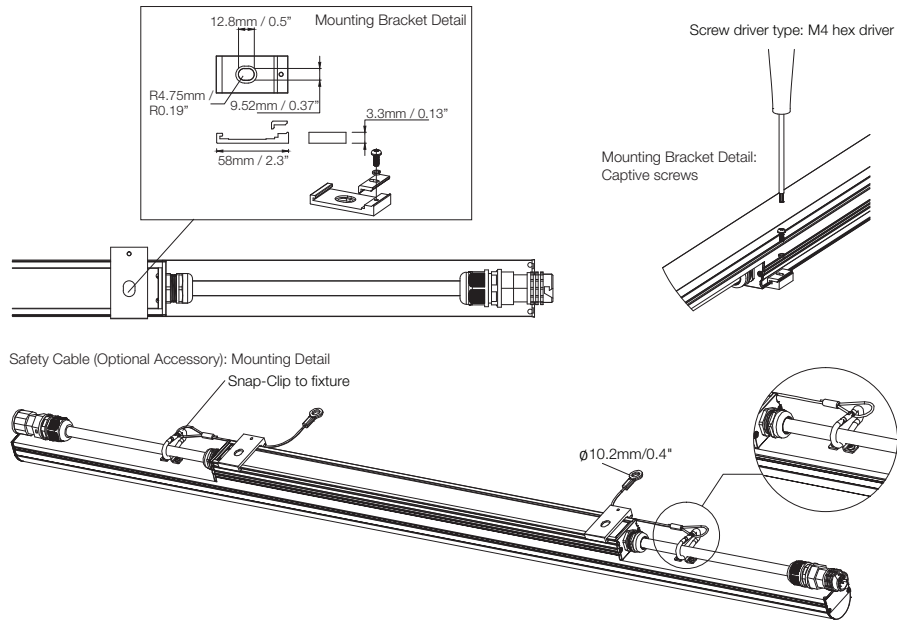
For feet multiply by 3.28

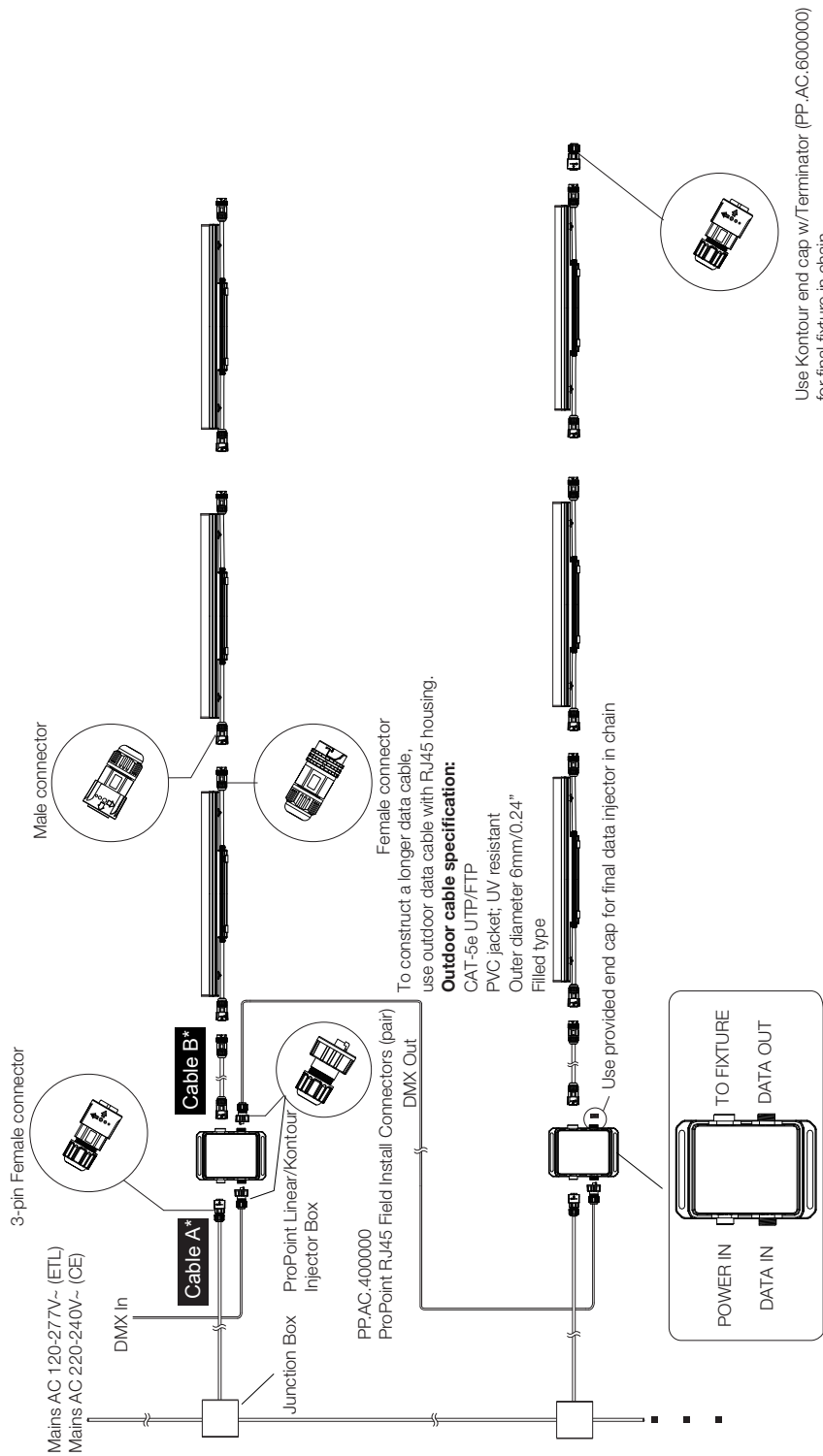
IES and LDT files are available for download from the Traxon website.

ProPoint Kontour Round Narrow White

Dimensions







1. All ordering information of accessories can be referred to next page.
 2. All interconnection information can be referred to next page.
- * Cable A; Cable B: Please refer to System Diagram Accessories table for options.

Wiring Information Details

ProPoint Kontour Narrow -CE

220V-240V

Model	Power Consumption (Typ.)	Input Voltage	Max Connected Chain
300mm	4W	220-240V	512
600mm	8W	220-240V	400
1200mm	16W	220-240V	200
2400mm	32W	220-240V	100

Accessories (ETL / CE)

Model No.	Description	Item Code
PP.AC.100001	ProPoint Linear/Kontour Injector Box	AM374890055
PP.AC.100002	ProPoint Linear/Kontour Injector Box BL	AM374900055
PP.AC.100003	ProPoint Linear/Kontour Injector Box WT	AM374910055
PP.AC.600000	PP LIN/KON End Cap W / TERM.	AM380550055
PP.AC.400000	ProPoint RJ45 Field Install Connectors (pair)	AM380560055

Accessories (CE)

Cable Type	Model No.	Description	Item Code
Cable A*	PP. A2.303000	3M PP Linear Power Input Cable CE	AM374840055
Cable B*	KO.KB.610000	10M Kontour PWR/DATA INT CBL CE	AM357520155
Cable B*	KO.KB.601000	1M Kontour PWR/DATA INT CBL CE	AM357490155
Cable B*	KO.KB.602000	2M Kontour PWR/DATA INT CBL CE	AM357500155
Cable B*	KO.KB.603000	3M Kontour PWR/DATA INT CBL CE	AM357510155

* All cables come pre-wired with male / female connectors.

ProPoint Kontour Round Narrow White

Ordering

Model Number

KXX	.	2	.	9	1	X	6	2	X	.	XX
Kontour Length	Width	Control	Color	CCT	Approbation	Lens	Finish	Pixel Config			
K1L: 300mm	2: Narrow	9: DMX	1: Static White	3: 3000K	6: CE	2: Diffused Round Lens	1: Gray	01: 1PXL			
K2L: 600mm				4: 4000K			2: Black	02: 2PXL			
K4L: 1200mm							3: White	04: 4PXL			
K8L: 2400mm								08: 8PXL			

*Abbreviations in Description

WD: Wide NW: Narrow R: Round BL: Black WT: White

Fixtures

Model No.	Description	Item Code
K1L.2.913621.01	ProPoint Kontour R 0.3 NW 3000K 1PXL CE	AM403220055
K2L.2.913621.01	ProPoint Kontour R 0.6 NW 3000K 1PXL CE	AM403340055
K2L.2.913621.02	ProPoint Kontour R 0.6 NW 3000K 2PXL CE	AM404180055
K4L.2.913621.01	ProPoint Kontour R 1.2 NW 3000K 1PXL CE	AM403460055
K4L.2.913621.04	ProPoint Kontour R 1.2 NW 3000K 4PXL CE	AM404300055
K8L.2.913621.01	ProPoint Kontour R 2.4 NW 3000K 1PXL CE	AM403580055
K8L.2.913621.08	ProPoint Kontour R 2.4 NW 3000K 8PXL CE	AM404420055
K1L.2.914621.01	ProPoint Kontour R 0.3 NW 4000K 1PXL CE	AM403230055
K2L.2.914621.01	ProPoint Kontour R 0.6 NW 4000K 1PXL CE	AM403350055
K2L.2.914621.02	ProPoint Kontour R 0.6 NW 4000K 2PXL CE	AM404190055
K4L.2.914621.01	ProPoint Kontour R 1.2 NW 4000K 1PXL CE	AM403470055
K4L.2.914621.04	ProPoint Kontour R 1.2 NW 4000K 4PXL CE	AM404310055
K8L.2.914621.01	ProPoint Kontour R 2.4 NW 4000K 1PXL CE	AM403590055
K8L.2.914621.08	ProPoint Kontour R 2.4 NW 4000K 8PXL CE	AM404430055
K1L.2.913622.01	ProPoint Kontour R 0.3 NW 3000K 1PXL BL CE	AM403260055
K2L.2.913622.01	ProPoint Kontour R 0.6 NW 3000K 1PXL BL CE	AM403380055
K2L.2.913622.02	ProPoint Kontour R 0.6 NW 3000K 2PXL BL CE	AM404220055
K4L.2.913622.01	ProPoint Kontour R 1.2 NW 3000K 1PXL BL CE	AM403500055
K4L.2.913622.04	ProPoint Kontour R 1.2 NW 3000K 4PXL BL CE	AM404340055
K8L.2.913622.01	ProPoint Kontour R 2.4 NW 3000K 1PXL BL CE	AM403620055
K8L.2.913622.08	ProPoint Kontour R 2.4 NW 3000K 8PXL BL CE	AM404460055
K1L.2.914622.01	ProPoint Kontour R 0.3 NW 4000K 1PXL BL CE	AM403270055
K2L.2.914622.01	ProPoint Kontour R 0.6 NW 4000K 1PXL BL CE	AM403390055
K2L.2.914622.02	ProPoint Kontour R 0.6 NW 4000K 2PXL BL CE	AM404230055
K4L.2.914622.01	ProPoint Kontour R 1.2 NW 4000K 1PXL BL CE	AM403510055
K4L.2.914622.04	ProPoint Kontour R 1.2 NW 4000K 4PXL BL CE	AM404350055
K8L.2.914622.01	ProPoint Kontour R 2.4 NW 4000K 1PXL BL CE	AM403630055
K8L.2.914622.08	ProPoint Kontour R 2.4 NW 4000K 8PXL BL CE	AM404470055

www.traxontechnologies.com | www.osram.us/traxon

©2021 TRAXON TECHNOLOGIES - AN OSRAM BUSINESS. ALL RIGHTS RESERVED. TRAXON™, TX CONNECT®, ARE TRADEMARKS OF TRAXON TECHNOLOGIES. U.S. PATENTS, E.U. PATENTS, JAPAN PATENTS, OTHER PATENTS PENDING. SPECIFICATIONS ARE SUBJECT TO CHANGE WITHOUT NOTICE.

ProPoint Kontour Round Narrow White

Ordering

Fixtures

Model No.	Description	Item Code
K1L.2.913623.01	ProPoint Kontour R 0.3 NW 3000K 1PXL WT CE	AM403300055
K2L.2.913623.01	ProPoint Kontour R 0.6 NW 3000K 1PXL WT CE	AM403420055
K2L.2.913623.02	ProPoint Kontour R 0.6 NW 3000K 2PXL WT CE	AM404260055
K4L.2.913623.01	ProPoint Kontour R 1.2 NW 3000K 1PXL WT CE	AM403540055
K4L.2.913623.04	ProPoint Kontour R 1.2 NW 3000K 4PXL WT CE	AM404380055
K8L.2.913623.01	ProPoint Kontour R 2.4 NW 3000K 1PXL WT CE	AM403660055
K8L.2.913623.08	ProPoint Kontour R 2.4 NW 3000K 8PXL WT CE	AM404500055
K1L.2.914623.01	ProPoint Kontour R 0.3 NW 4000K 1PXL WT CE	AM403310055
K2L.2.914623.01	ProPoint Kontour R 0.6 NW 4000K 1PXL WT CE	AM403430055
K2L.2.914623.02	ProPoint Kontour R 0.6 NW 4000K 2PXL WT CE	AM404270055
K4L.2.914623.01	ProPoint Kontour R 1.2 NW 4000K 1PXL WT CE	AM403550055
K4L.2.914623.04	ProPoint Kontour R 1.2 NW 4000K 4PXL WT CE	AM404390055
K8L.2.914623.01	ProPoint Kontour R 2.4 NW 4000K 1PXL WT CE	AM403670055
K8L.2.914623.08	ProPoint Kontour R 2.4 NW 4000K 8PXL WT CE	AM404510055

Accessories (ETL / CE)

Model No.	Description	Item Code
PP.AC.100001	ProPoint Linear/Kontour Injector Box	AM374890055
PP.AC.100002	ProPoint Linear/Kontour Injector Box BL	AM374900055
PP.AC.100003	ProPoint Linear/Kontour Injector Box WT	AM374910055
PP.AC.600000	PP LIN/KON End Cap W / TERM.	AM380550055
PP.AC.400000	ProPoint RJ45 Field Install Connectors (pair)	AM380560055

Accessories (CE)

Model No.	Description	Item Code
PP. A2.303000	3M PP Linear Power Input Cable CE	AM374840055
KO.KB.610000	10M Kontour PWR/DATA INT CBL CE	AM357520155
KO.KB.601000	1M Kontour PWR/DATA INT CBL CE	AM357490155
KO.KB.602000	2M Kontour PWR/DATA INT CBL CE	AM357500155
KO.KB.603000	3M Kontour PWR/DATA INT CBL CE	AM357510155

Accessories (Optional)

Model No.	Description	Item Code
KO.AA.900010	Kontour Safety Cable 0.25M (10")	AM403000055

Our Brands

traxon e:cue

OSRAM

©2021 TRAXON TECHNOLOGIES - AN OSRAM BUSINESS. ALL RIGHTS RESERVED. TRAXON™, TX CONNECT®, ARE TRADEMARKS OF TRAXON TECHNOLOGIES. U.S. PATENTS, E.U. PATENTS, JAPAN PATENTS, OTHER PATENTS PENDING. SPECIFICATIONS ARE SUBJECT TO CHANGE WITHOUT NOTICE.