

Project: _____
 Type: _____



ProPoint Kontour Round Wide White

The Traxon ProPoint Kontour is an AC line powered exterior luminaire used to distinguish facades, walls, and architectural borders with a concentrated, even radiance. ProPoint Kontour's compact, lowprofile design is available in four lengths, two widths and is combined with a clip mounting system for efficient installation.



Product Specifications

	300mm	600mm	1200mm	2400mm
Model	Kontour Round Wide			
Light Source	3000K / 4000K Standard, 2200K, 2700K, 3500K, 5000K, 6500K, Red, Green, Blue, Amber available ¹			
LED Quantity	Static white / color x 60pcs	Static white / color x 120pcs	Static white / color x 240pcs	Static white / color x 480pcs
Pixel Options	1PXL	1PXL or 2PXL	1PXL, 2PXL or 4PXL	1PXL, 2PXL, 4PXL or 8PXL
Beam Angle	100° x 125°			
Luminous Flux (3000K)	460 lm	922 lm	1793 lm	3681 lm
(4000K)	481 lm	964 lm	1891 lm	3783 lm
Efficacy	91 lm / W (3000K) 97 lm / W (4000K)			
Lumen Maintenance	L70 @25°C 81,000hrs			
Cover Lens	Round diffused UV stable acrylic			
Housing	Extruded aluminum			
Housing Finish Options	Gray (RAL7015), Black (RAL9005), White (RAL9003)			
Mounting	Low Profile Mounting Brackets (x2 per length)			
Dimensions (L)	300mm / 11.8"	600mm / 23.6"	1200mm / 47.2"	2400mm / 94.5"
(W x H)	75mm x 89.4mm / 3" x 3.5"			
Weight	1.35 kg / 2.98 lbs.	1.86 kg / 4.10 lbs.	3.11 kg / 6.86 lbs.	5.42 kg / 11.95 lbs.
EPA (sq.ft)				
Front	0.078			
Side	0.392			
Front 45°	0.2771			
Regulatory Listing & Safety Approval	CE, IEC 60598-2-3, 3G ANSI C136.31, IK07			
Operating Temperature	-30°C to +55°C / -22°F to +131°F			
Storage Temperature	-40°C to +80°C / -40°F to +176°F			
Environment	Outdoor (IP66), suitable for coastal environments			
Humidity	85%, non-condensing			
Electrical Specifications				
Input Voltage	120-277V AC 50/60Hz			
Power Consumption	5W	10W	20W	40W
Power Factor	≥ 0.9			
System Specifications				
Control	DMX 512			
Power Supply	Integral			
Addressing Options	Auto-Addressed with Data Injector			
Pixel Control	Standard luminaire controlled by 300mm / 12". Factory configurable pixel control on request, check with your local sales office for more information.			

1. No MOQ required. Please consult regional sales office for pricing and lead time.

LED CHARACTERISTICS Because LEDs are semiconductor devices, their performances are subject to inherent variability commonly found in semiconductor industry. To improve consistency in performance across the same product, LED manufacturers "sort" LEDs into bins according to different preset parameters, such as forward driving voltage, illumination, etc. Whereas binning is a sorting function, it is not a correction process. Inherent variability in the manufacturing process results always in different binning distributions according to different production lots. Traxon uses automatically binned LEDs on its products, thereby minimizing output variations within the model range.

As with all electronic devices, LED output degrades over time – a term called lumen depreciation. This also explains why it is nearly impossible to expect photometric performances of two LED products with different service life spans to be the same. The rate of LED degrade is a complicate function of many factors such as operating efficiency, duration of continuous operation, and more significantly, environmental conditions (ambient temperature for example). If allowed working under optimal operating temperature range and with good ventilation, LED devices enjoy long service lives over conventional light sources. When using/installing LED devices, care should be taken to ensure that the devices will operate within the operating conditions specified in respective product literature.

Lumen measurement complies with LM-79-08 standard.
 Lumen maintenance is calculated based on LM-80 compliant measurement.

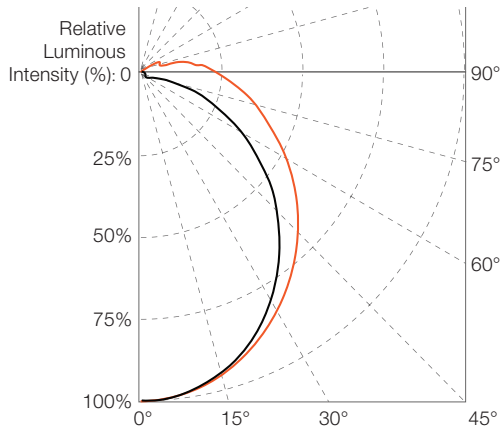
ProPoint Kontour Round Wide White

Photometrics

Source Specifications

Optics 100° x 125°

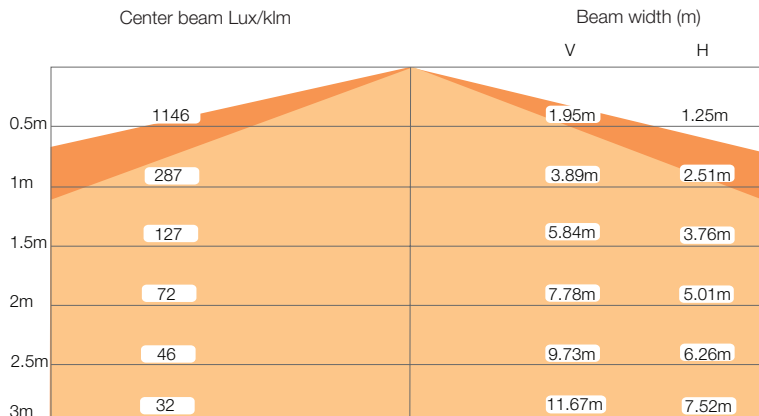
Candela Distribution



Light Output

Color	Luminous Flux (lm)	Efficacy (lm/W)
300mm		
3000K	460.4	91.0
4000K	481.4	96.7
600mm		
3000K	921.6	91.1
4000K	963.5	96.8
1200mm		
3000K	1792.9	89.6
4000K	1890.5	95.8
2400mm		
3000K	3680.8	91.1
4000K	3783.4	95.1

Illuminance at a Distance



● Vert. Spread: 125.6°
● Horiz. Spread: 102.8°

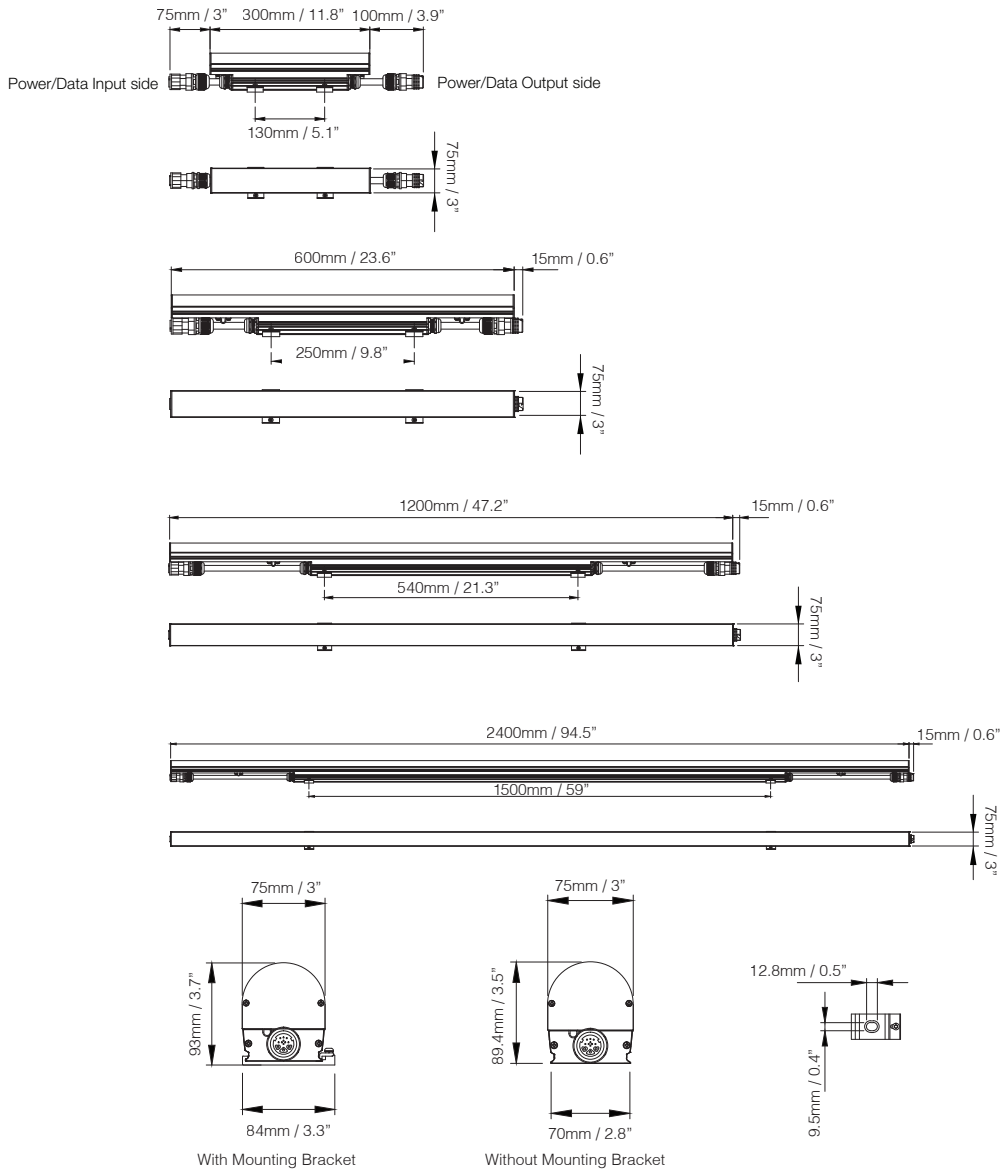
For fc (foot candle) divide by 10.7

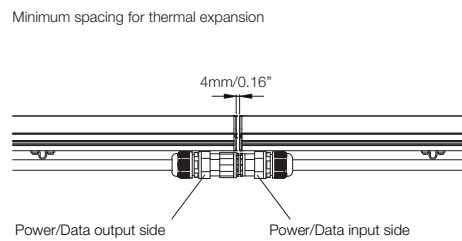
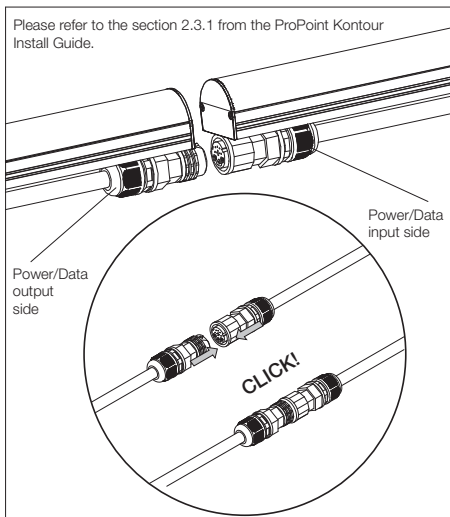
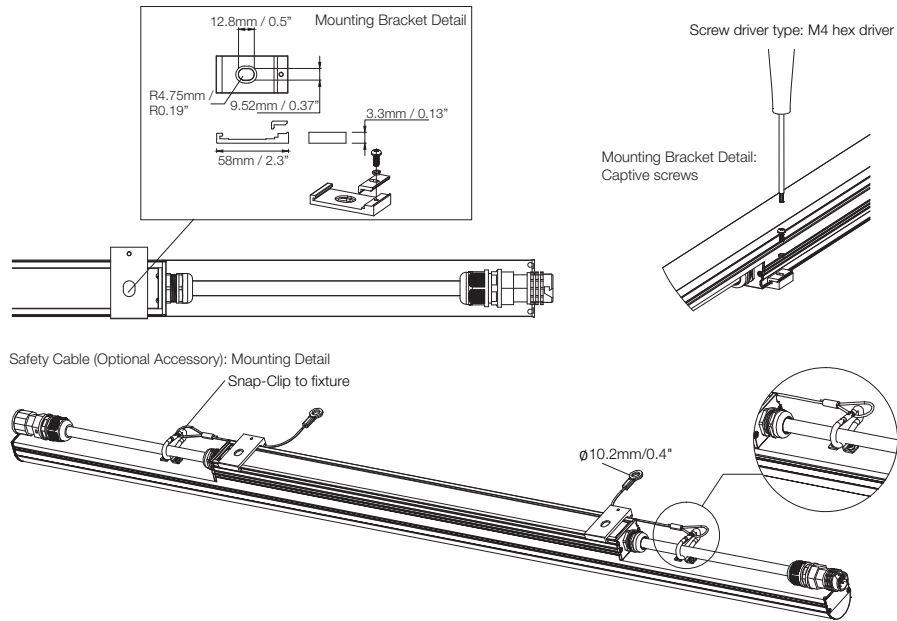
For feet multiply by 3.28

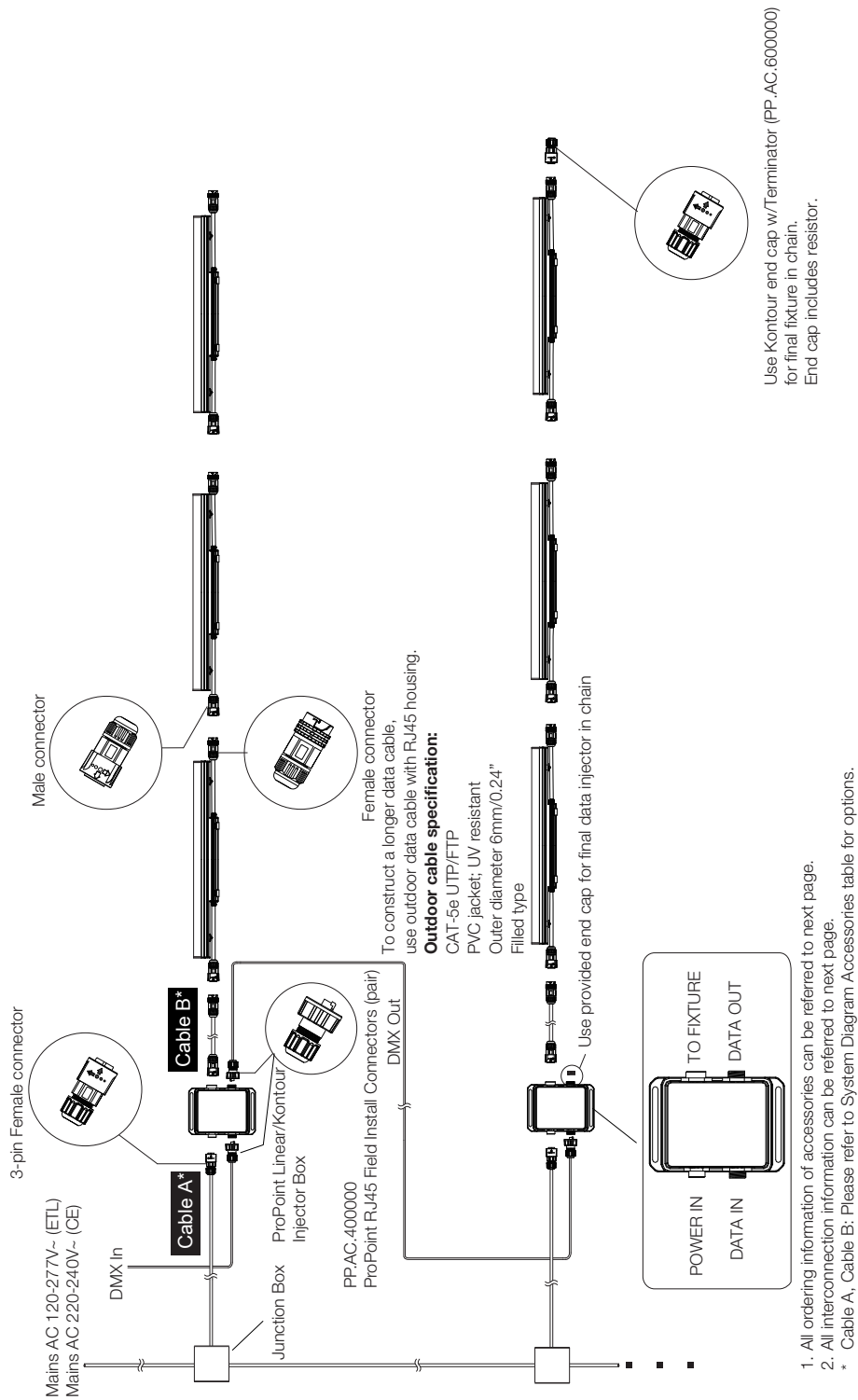
IES and LDT files are available for download from the Traxon website.

ProPoint Kontour Round Wide White

Dimensions







ProPoint Kontour Round Wide White

System Diagram

Wiring Information Details

ProPoint Kontour Wide -CE

220V-240V

Model	Power Consumption (Typ.)	Input Voltage	Max Connected Chain
300mm	5W	220-240V	512
600mm	10W	220-240V	320
1200mm	20W	220-240V	150
2400mm	40W	220-240V	80

Accessories (ETL / CE)

Model No.	Description	Item Code
PP.AC.100001	ProPoint Linear/Kontour Injector Box	AM374890055
PP.AC.100002	ProPoint Linear/Kontour Injector Box BL	AM374900055
PP.AC.100003	ProPoint Linear/Kontour Injector Box WT	AM374910055
PP.AC.600000	PP LIN/KON End Cap W / TERM.	AM380550055
PP.AC.400000	ProPoint RJ45 Field Install Connectors (pair)	AM380560055

Accessories (CE)

Cable Type	Model No.	Description	Item Code
Cable A*	PP. A2.303000	3M PP Linear Power Input Cable CE	AM374840055
Cable B*	KO.KB.610000	10M Kontour PWR/DATA INT CBL CE	AM357520155
Cable B*	KO.KB.601000	1M Kontour PWR/DATA INT CBL CE	AM357490155
Cable B*	KO.KB.602000	2M Kontour PWR/DATA INT CBL CE	AM357500155
Cable B*	KO.KB.603000	3M Kontour PWR/DATA INT CBL CE	AM357510155

* All cables come pre-wired with male / female connectors.

ProPoint Kontour Round Wide White

Ordering

Model Number

KXX	.	3	.	9	1	X	6	2	X	.	XX
Kontour Length	Width	Control	Color	CCT	Approbation	Lens	Finish	Pixel Config			
K1L: 300mm	3: Wide	9: DMX	1: Static White	3: 3000K	6: CE	2: Diffused Round Lens	1: Gray	01: 1PXL			
K2L: 600mm				4: 4000K			2: Black	02: 2PXL			
K4L: 1200mm							3: White	04: 4PXL			
K8L: 2400mm								08: 8PXL			

*Abbreviations in Description

WD: Wide NW: Narrow R: Round BL: Black WT: White

Fixtures

Model No.	Description	Item Code
K1L.3.913621.01	ProPoint Kontour R 0.3 WD 3000K 1PXL CE	AM403240055
K2L.3.913621.01	ProPoint Kontour R 0.6 WD 3000K 1PXL CE	AM403360055
K2L.3.913621.02	ProPoint Kontour R 0.6 WD 3000K 2PXL CE	AM404200055
K4L.3.913621.01	ProPoint Kontour R 1.2 WD 3000K 1PXL CE	AM403480055
K4L.3.913621.04	ProPoint Kontour R 1.2 WD 3000K 4PXL CE	AM404320055
K8L.3.913621.01	ProPoint Kontour R 2.4 WD 3000K 1PXL CE	AM403600055
K8L.3.913621.08	ProPoint Kontour R 2.4 WD 3000K 8PXL CE	AM404440055
K1L.3.914621.01	ProPoint Kontour R 0.3 WD 4000K 1PXL CE	AM403250055
K2L.3.914621.01	ProPoint Kontour R 0.6 WD 4000K 1PXL CE	AM403370055
K2L.3.914621.02	ProPoint Kontour R 0.6 WD 4000K 2PXL CE	AM404210055
K4L.3.914621.01	ProPoint Kontour R 1.2 WD 4000K 1PXL CE	AM403490055
K4L.3.914621.04	ProPoint Kontour R 1.2 WD 4000K 4PXL CE	AM404330055
K8L.3.914621.01	ProPoint Kontour R 2.4 WD 4000K 1PXL CE	AM403610055
K8L.3.914621.08	ProPoint Kontour R 2.4 WD 4000K 8PXL CE	AM404450055
K1L.3.913622.01	ProPoint Kontour R 0.3 WD 3000K 1PXL BL CE	AM403280055
K2L.3.913622.01	ProPoint Kontour R 0.6 WD 3000K 1PXL BL CE	AM403400055
K2L.3.913622.02	ProPoint Kontour R 0.6 WD 3000K 2PXL BL CE	AM404240055
K4L.3.913622.01	ProPoint Kontour R 1.2 WD 3000K 1PXL BL CE	AM403520055
K4L.3.913622.04	ProPoint Kontour R 1.2 WD 3000K 4PXL BL CE	AM404360055
K8L.3.913622.01	ProPoint Kontour R 2.4 WD 3000K 1PXL BL CE	AM403640055
K8L.3.913622.08	ProPoint Kontour R 2.4 WD 3000K 8PXL BL CE	AM404480055
K1L.3.914622.01	ProPoint Kontour R 0.3 WD 4000K 1PXL BL CE	AM403290055
K2L.3.914622.01	ProPoint Kontour R 0.6 WD 4000K 1PXL BL CE	AM403410055
K2L.3.914622.02	ProPoint Kontour R 0.6 WD 4000K 2PXL BL CE	AM404250055
K4L.3.914622.01	ProPoint Kontour R 1.2 WD 4000K 1PXL BL CE	AM403530055
K4L.3.914622.04	ProPoint Kontour R 1.2 WD 4000K 4PXL BL CE	AM404370055
K8L.3.914622.01	ProPoint Kontour R 2.4 WD 4000K 1PXL BL CE	AM403650055
K8L.3.914622.08	ProPoint Kontour R 2.4 WD 4000K 8PXL BL CE	AM404490055

www.traxontechnologies.com | www.osram.us/traxon

©2021 TRAXON TECHNOLOGIES - AN OSRAM BUSINESS. ALL RIGHTS RESERVED. TRAXON™, TX CONNECT®, ARE TRADEMARKS OF TRAXON TECHNOLOGIES. U.S. PATENTS, E.U. PATENTS, JAPAN PATENTS, OTHER PATENTS PENDING. SPECIFICATIONS ARE SUBJECT TO CHANGE WITHOUT NOTICE.

ProPoint Kontour Round Wide White

Ordering

Fixtures

Model No.	Description	Item Code
K1L.3.913623.01	ProPoint Kontour R 0.3 WD 3000K 1PXL WT CE	AM403320055
K2L.3.913623.01	ProPoint Kontour R 0.6 WD 3000K 1PXL WT CE	AM403440055
K2L.3.913623.02	ProPoint Kontour R 0.6 WD 3000K 2PXL WT CE	AM404280055
K4L.3.913623.01	ProPoint Kontour R 1.2 WD 3000K 1PXL WT CE	AM403560055
K4L.3.913623.04	ProPoint Kontour R 1.2 WD 3000K 4PXL WT CE	AM404400055
K8L.3.913623.01	ProPoint Kontour R 2.4 WD 3000K 1PXL WT CE	AM403680055
K8L.3.913623.08	ProPoint Kontour R 2.4 WD 3000K 8PXL WT CE	AM404520055
K1L.3.914623.01	ProPoint Kontour R 0.3 WD 4000K 1PXL WT CE	AM403330055
K2L.3.914623.01	ProPoint Kontour R 0.6 WD 4000K 1PXL WT CE	AM403450055
K2L.3.914623.02	ProPoint Kontour R 0.6 WD 4000K 2PXL WT CE	AM404290055
K4L.3.914623.01	ProPoint Kontour R 1.2 WD 4000K 1PXL WT CE	AM403570055
K4L.3.914623.04	ProPoint Kontour R 1.2 WD 4000K 4PXL WT CE	AM404410055
K8L.3.914623.01	ProPoint Kontour R 2.4 WD 4000K 1PXL WT CE	AM403690055
K8L.3.914623.08	ProPoint Kontour R 2.4 WD 4000K 8PXL WT CE	AM404530055

Accessories (ETL / CE)

Model No.	Description	Item Code
PP.AC.100001	ProPoint Linear/Kontour Injector Box	AM374890055
PP.AC.100002	ProPoint Linear/Kontour Injector Box BL	AM374900055
PP.AC.100003	ProPoint Linear/Kontour Injector Box WT	AM374910055
PP.AC.600000	PP LIN/KON End Cap W / TERM.	AM380550055
PP.AC.400000	ProPoint RJ45 Field Install Connectors (pair)	AM380560055

Accessories (CE)

Model No.	Description	Item Code
PP.A2.303000	3M PP Linear Power Input Cable CE	AM374840055
KO.KB.610000	10M Kontour PWR/DATA INT CBL CE	AM357520155
KO.KB.601000	1M Kontour PWR/DATA INT CBL CE	AM357490155
KO.KB.602000	2M Kontour PWR/DATA INT CBL CE	AM357500155
KO.KB.603000	3M Kontour PWR/DATA INT CBL CE	AM357510155

Accessories (Optional)

Model No.	Description	Item Code
KO.AA.900010	Kontour Safety Cable 0.25M (10")	AM403000055

Our Brands

traxon e:cue

OSRAM

©2021 TRAXON TECHNOLOGIES - AN OSRAM BUSINESS. ALL RIGHTS RESERVED. TRAXON™, TX CONNECT®, ARE TRADEMARKS OF TRAXON TECHNOLOGIES. U.S. PATENTS, E.U. PATENTS, JAPAN PATENTS, OTHER PATENTS PENDING. SPECIFICATIONS ARE SUBJECT TO CHANGE WITHOUT NOTICE.