

Project: _____

Type: _____



ProPoint Kontour Wide White

Traxon Kontour is an AC line powered exterior luminaire used to distinguish facades, walls, and architectural borders with a concentrated, even radiance. ProPoint Kontour's compact, lowprofile design is available in four lengths, two widths and is combined with a clip mounting system for efficient installation.



Product Specifications

	300mm	600mm	1200mm	2400mm
Model	Kontour Wide			
Light Source	3000K / 4000K Standard, 2200K, 2700K, 3500K, 5000K, 6500K, Red, Green, Blue, Amber available ¹			
LED Quantity	White / color x 60pcs	White / color x 120pcs	White / color x 240pcs	White / color x 480pcs
Beam Angle	120°			
Luminous Flux (3000K)	454 lm	911 lm	1774 lm	3637 lm
(4000K)	461 lm	923 lm	1849 lm	3701 lm
Efficacy	88lm / W (3000K) 93lm / W (4000K)			
Lumen Maintenance	L70 @25°C -81,000hrs			
Cover Lens	Diffused UV stable acrylic			
Housing	Extruded Aluminum			
Housing Finish Options	Gray (RAL7015), Black (RAL9005), White (RAL9003)			
Mounting	Low Profile Mounting Brackets (x2 per length)			
Dimensions (L)	300mm / 11.8"	600mm / 23.6"	1200mm / 47.2"	2400mm / 94.5"
(W x H)	75mm x 66mm / 3" x 2.6"			
Weight	1.1 kg / 2.4 lbs.	1.5 kg / 3.3 lbs.	2.30 kg / 5.1 lbs.	4 kg / 8.8 lbs.
EPA (sq.ft)	Front	0.056		
	Side	0.290	0.467	0.869
	Front 45°	0.2050	0.3302	0.6144
Regulatory Listing & Safety Approval	CE, IEC 60598-2-3, 3G ANSI C136.31, IK07			
Operating Temperature	-30°C to +55°C / -22°F to +131°F			
Storage Temperature	-40°C to +80°C / -40°F to +176°F			
Environment	Outdoor (IP66), suitable for coastal environments			
Humidity	85%, non-condensing			
Electrical Specifications				
Input Voltage	220-240V AC			
Power Consumption	5W	10W	20W	40W
Power Factor	≥ 0.9			
System Specifications				
Control	DMX 512			
Power Supply	Integral			
Addressing Options	Auto-Addressed with Data Injector			
Pixel Control	Standard luminaire controlled by 12" / 300mm. Factory set to other pixel configurations on request.			

1. No MOQ required. Please consult regional sales office for pricing and lead time.

LED CHARACTERISTICS Because LEDs are semiconductor devices, their performances are subject to inherent variability commonly found in semiconductor industry. To improve consistency in performance across the same product, LED manufacturers "sort" LEDs into bins according to different preset parameters, such as forward driving voltage, illumination, etc. Whereas binning is a sorting function, it is not a correction process. Inherent variability in the manufacturing process results always in different binning distributions according to different production lots. Traxon uses automatically binned LEDs on its products, thereby minimizing output variations within the model range.

As with all electronic devices, LED output degrades over time – a term called lumen depreciation. This also explains why it is nearly impossible to expect photometric performances of two LED products with different service life spans to be the same. The rate of LED degrade is a complicate function of many factors such as operating efficiency, duration of continuous operation, and more significantly, environmental conditions (ambient temperature for example). If allowed working under optimal operating temperature range and with good ventilation, LED devices enjoy long service lives over conventional light sources. When using/installing LED devices, care should be taken to ensure that the devices will operate within the operating conditions specified in respective product literature.

Lumen measurement complies with LM-79-08 standard.
Lumen maintenance is calculated based on LM-80 compliant measurement.

www.traxontechnologies.com | www.osram.us/traxon

©2021 TRAXON TECHNOLOGIES - AN OSRAM BUSINESS. ALL RIGHTS RESERVED. TRAXON™, TX CONNECT®, ARE TRADEMARKS OF TRAXON TECHNOLOGIES. U.S. PATENTS, E.U. PATENTS, JAPAN PATENTS, OTHER PATENTS PENDING. SPECIFICATIONS ARE SUBJECT TO CHANGE WITHOUT NOTICE.

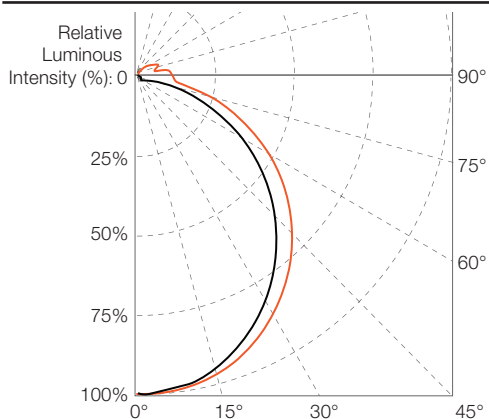
ProPoint Kontour Wide White

Photometrics

Source Specifications

Optics	120°
--------	------

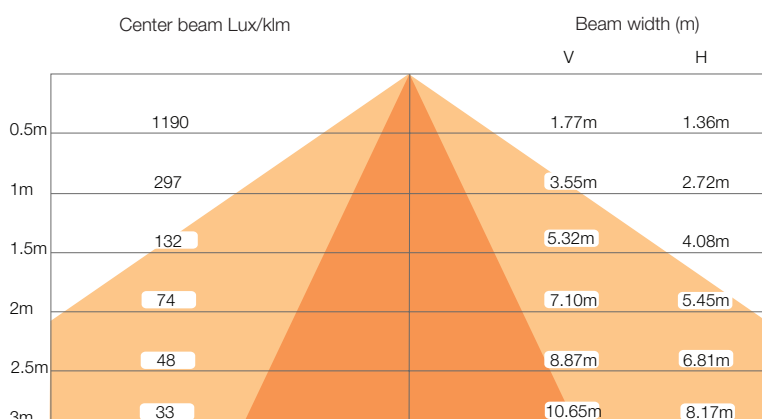
Candela Distribution



Light Output

Color	Luminous Flux (lm)	Efficacy (lm/W)
300mm		
3000K	454.8	90.6
4000K	461.6	93.8
600mm		
3000K	911.34	90.5
4000K	923.9	93.9
1200mm		
3000K	1774	88.9
4000K	1849.5	93.7
2400mm		
3000K	3637	90.7
4000K	3701.3	93.9

Illuminance at a Distance



- Vert. Spread: 107.4°
- Horiz. Spread: 121.2°

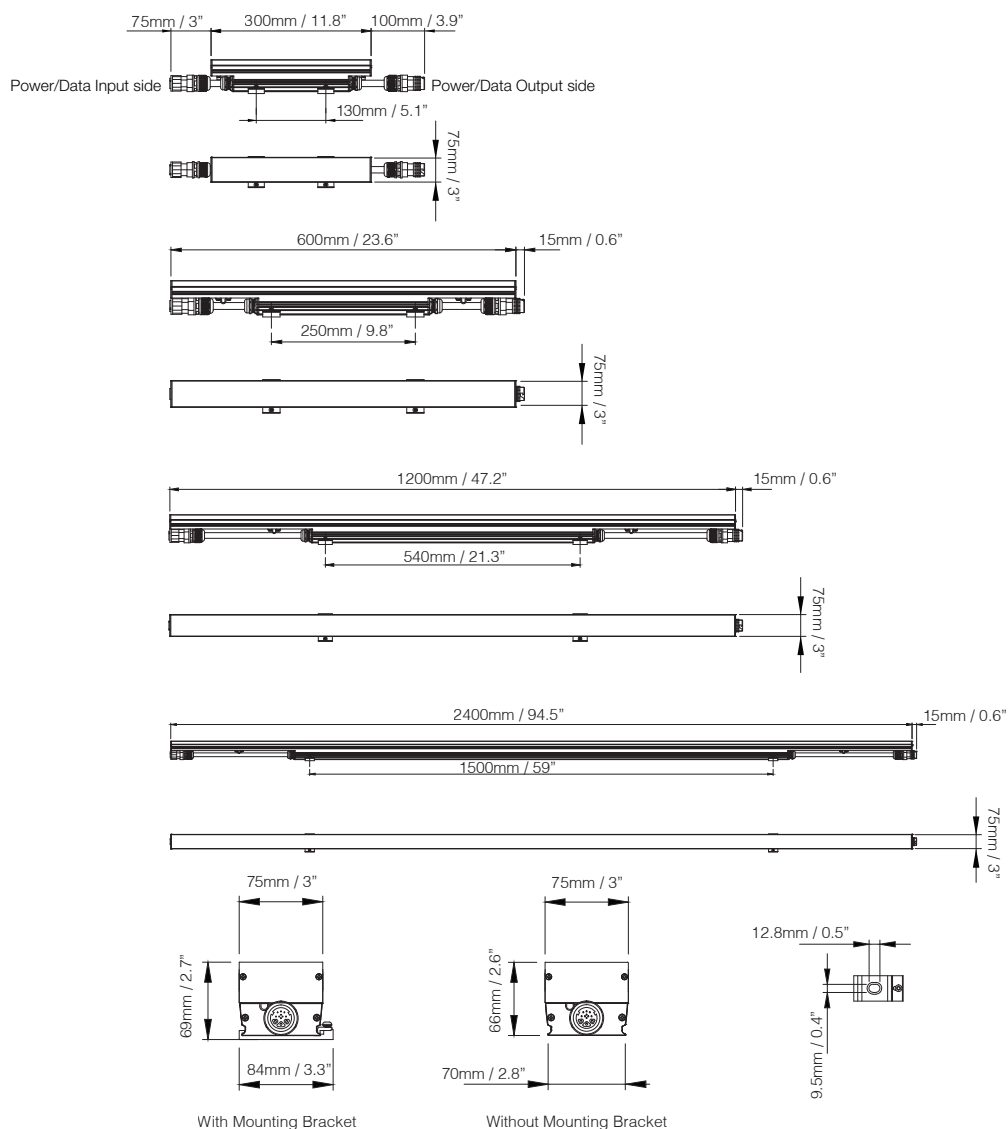
For fc divide by 10.7

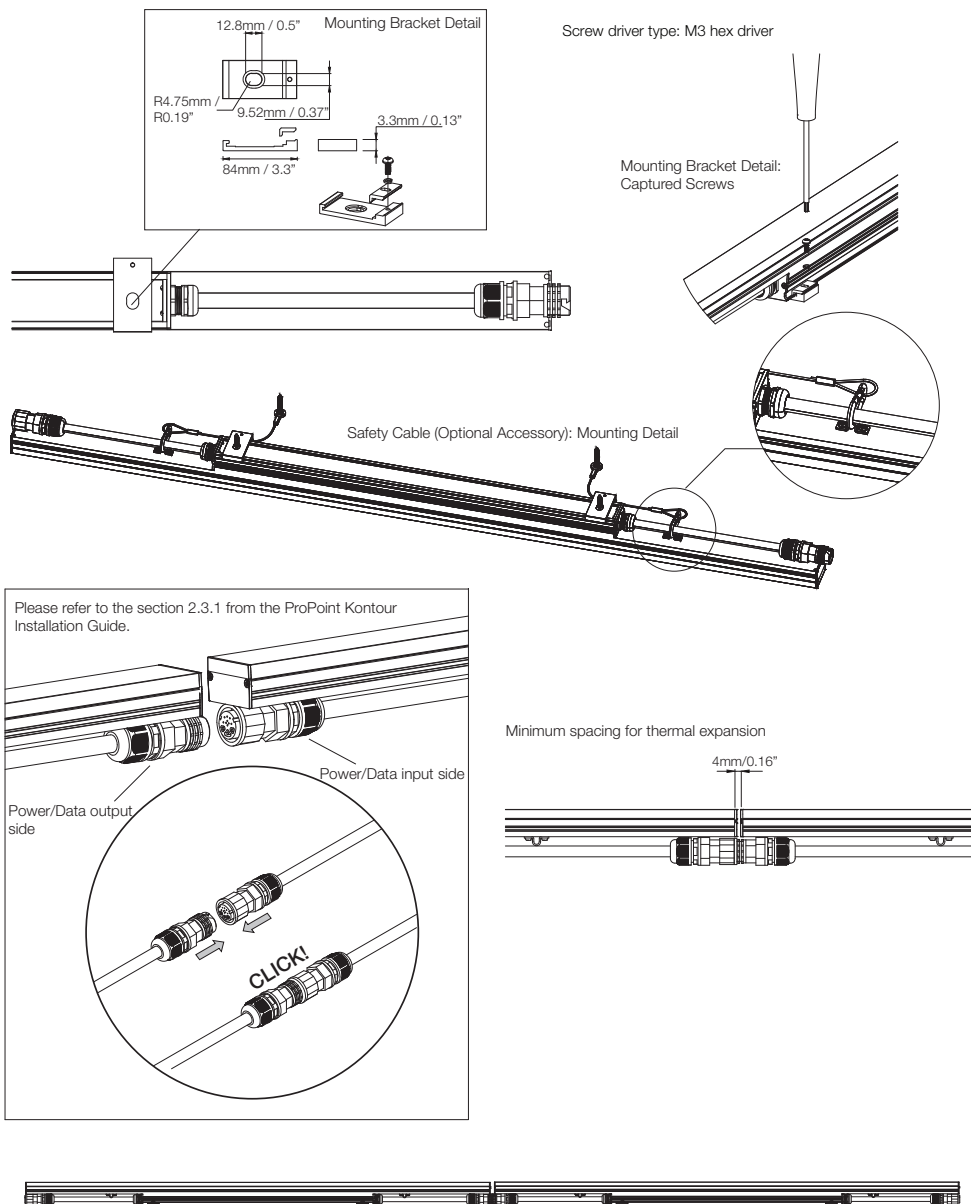
For feet multiply by 3.28

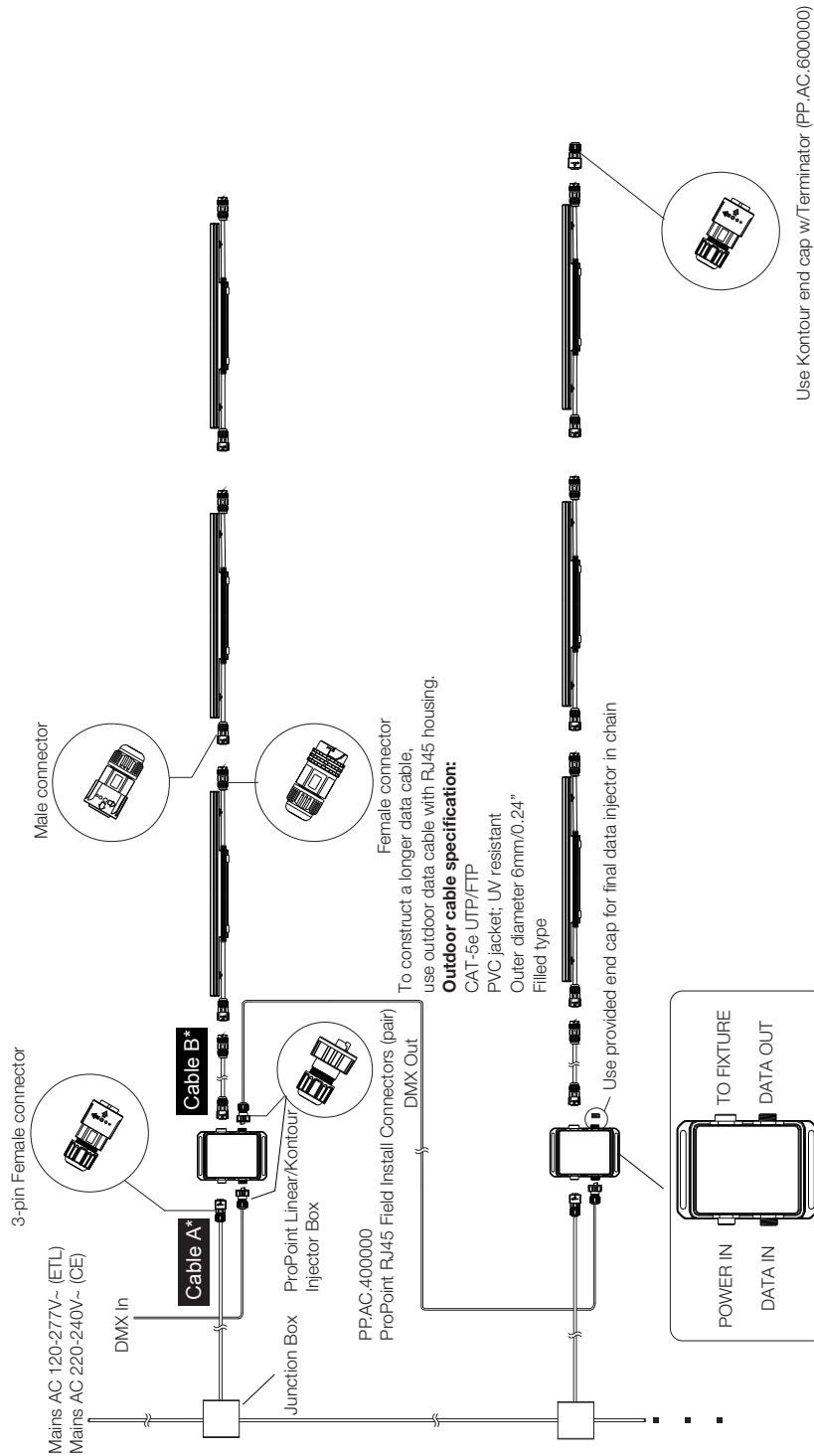
IES and LDT files are available for download from the Traxon website.

ProPoint Kontour Wide White

Dimensions







1. All ordering information of accessories can be referred to next page.
 2. All interconnection information can be referred to next page.
- * Cable A, Cable B: Please refer to System Diagram Accessories table for options.

ProPoint Kontour Wide White

System Diagram

Wiring Information Details

ProPoint Kontour Wide -CE

220V-240V

Model	Power Consumption (Typ.)	Input Voltage	Max Connected Chain
300mm	5W	220-240V	512
600mm	10W	220-240V	320
1200mm	20W	220-240V	150
2400mm	40W	220-240V	80

Accessories (ETL / CE)

Model No.	Description	Item Code
PP.AC.100001	PROPOINT LINEAR/KONTOUR INJECTOR BOX	AM374890055
PP.AC.100002	PROPOINT LINEAR/KONTOUR INJECTOR BOX BL	AM374900055
PP.AC.100003	PROPOINT LINEAR/KONTOUR INJECTOR BOX WT	AM374910055
PP.AC.600000	PP LIN/KON END CAP W/ TERM.	AM380550055
PP.AC.400000	PROPOINT RJ45 FIELD INSTALL CONNECTORS (PAIR)	AM380560055

Accessories (CE)

Cable Type	Model No.	Description	Item Code
Cable A*	PP. A2.303000	3M PP LINEAR POWER INPUT CABLE CE	AM374840055
Cable B*	KO.KB.610000	10M KONTOUR PWR/DATA INT CBL CE	AM357520155
Cable B*	KO.KB.601000	1M KONTOUR PWR/DATA INT CBL CE	AM357490155
Cable B*	KO.KB.602000	2M KONTOUR PWR/DATA INT CBL CE	AM357500155
Cable B*	KO.KB.603000	3M KONTOUR PWR/DATA INT CBL CE	AM357510155

* All cables come pre-wired with male / female connectors.

ProPoint Kontour Wide White

Ordering

Model Number

KXX	.	3	.	9	.	1	.	X	.	6	.	1	.	X	.	XX
Kontour Length	Width	Control	Color	CCT	Approbation	Lens	Finish	Pixel Config								
K1L: 1'	3: 75mm/3"	9: DMX	1: SW	3: 3000K	6: CE	1: Diffused Lens	1: Gray	01: 1PXL								
K2L: 2'				4: 4000K			2: Black	02: 2PXL								
K4L: 4'							3: White	04: 4PXL								
K8L: 8'								08: 8PXL								

*Abbreviations in Description

WD: Wide NW: Narrow F: Flat BL: Black WT: White

Fixtures

Model No.	Description	Item Code
K1L.3.913611.01	PROPOINT KONTOUR F 0.3 WD 3000K 1PXL CE	AM395840055
K2L.3.913611.01	PROPOINT KONTOUR F 0.6 WD 3000K 1PXL CE	AM395960055
K2L.3.913611.02	PROPOINT KONTOUR F 0.6 WD 3000K 2PXL CE	AM396800055
K4L.3.913611.01	PROPOINT KONTOUR F 1.2 WD 3000K 1PXL CE	AM396080055
K4L.3.913611.04	PROPOINT KONTOUR F 1.2 WD 3000K 4PXL CE	AM396920055
K8L.3.913611.01	PROPOINT KONTOUR F 2.4 WD 3000K 1PXL CE	AM396200055
K8L.3.913611.08	PROPOINT KONTOUR F 2.4 WD 3000K 8PXL CE	AM397040055
K1L.3.914611.01	PROPOINT KONTOUR F 0.3 WD 4000K 1PXL CE	AM395850055
K2L.3.914611.01	PROPOINT KONTOUR F 0.6 WD 4000K 1PXL CE	AM395970055
K2L.3.914611.02	PROPOINT KONTOUR F 0.6 WD 4000K 2PXL CE	AM396810055
K4L.3.914611.01	PROPOINT KONTOUR F 1.2 WD 4000K 1PXL CE	AM396090055
K4L.3.914611.04	PROPOINT KONTOUR F 1.2 WD 4000K 4PXL CE	AM396930055
K8L.3.914611.01	PROPOINT KONTOUR F 2.4 WD 4000K 1PXL CE	AM396210055
K8L.3.914611.08	PROPOINT KONTOUR F 2.4 WD 4000K 8PXL CE	AM397050055
K1L.3.913612.01	PROPOINT KONTOUR F 0.3 WD 3000K 1PXL BL CE	AM395880055
K2L.3.913612.01	PROPOINT KONTOUR F 0.6 WD 3000K 1PXL BL CE	AM396000055
K2L.3.913612.02	PROPOINT KONTOUR F 0.6 WD 3000K 2PXL BL CE	AM396840055
K4L.3.913612.01	PROPOINT KONTOUR F 1.2 WD 3000K 1PXL BL CE	AM396120055
K4L.3.913612.04	PROPOINT KONTOUR F 1.2 WD 3000K 4PXL BL CE	AM396960055
K8L.3.913612.01	PROPOINT KONTOUR F 2.4 WD 3000K 1PXL BL CE	AM396240055
K8L.3.913612.08	PROPOINT KONTOUR F 2.4 WD 3000K 8PXL BL CE	AM397080055
K1L.3.914612.01	PROPOINT KONTOUR F 0.3 WD 4000K 1PXL BL CE	AM395890055
K2L.3.914612.01	PROPOINT KONTOUR F 0.6 WD 4000K 1PXL BL CE	AM396010055
K2L.3.914612.02	PROPOINT KONTOUR F 0.6 WD 4000K 2PXL BL CE	AM396850055
K4L.3.914612.01	PROPOINT KONTOUR F 1.2 WD 4000K 1PXL BL CE	AM396130055
K4L.3.914612.04	PROPOINT KONTOUR F 1.2 WD 4000K 4PXL BL CE	AM396970055
K8L.3.914612.01	PROPOINT KONTOUR F 2.4 WD 4000K 1PXL BL CE	AM396250055
K8L.3.914612.08	PROPOINT KONTOUR F 2.4 WD 4000K 8PXL BL CE	AM397090055

www.traxontechnologies.com | www.osram.us/traxon

©2021 TRAXON TECHNOLOGIES - AN OSRAM BUSINESS. ALL RIGHTS RESERVED. TRAXON™, TX CONNECT®, ARE TRADEMARKS OF TRAXON TECHNOLOGIES. U.S. PATENTS, E.U. PATENTS, JAPAN PATENTS, OTHER PATENTS PENDING. SPECIFICATIONS ARE SUBJECT TO CHANGE WITHOUT NOTICE.

ProPoint Kontour Wide White

Ordering

Fixtures

Model No.	Description	Item Code
K1L.3.913613.01	PROPOINT KONTOUR F 0.3 WD 3000K 1PXL WT CE	AM395920055
K2L.3.913613.01	PROPOINT KONTOUR F 0.6 WD 3000K 1PXL WT CE	AM396040055
K2L.3.913613.02	PROPOINT KONTOUR F 0.6 WD 3000K 2PXL WT CE	AM396880055
K4L.3.913613.01	PROPOINT KONTOUR F 1.2 WD 3000K 1PXL WT CE	AM396160055
K4L.3.913613.04	PROPOINT KONTOUR F 1.2 WD 3000K 4PXL WT CE	AM397000055
K8L.3.913613.01	PROPOINT KONTOUR F 2.4 WD 3000K 1PXL WT CE	AM396280055
K8L.3.913613.08	PROPOINT KONTOUR F 2.4 WD 3000K 8PXL WT CE	AM397120055
K1L.3.914613.01	PROPOINT KONTOUR F 0.3 WD 4000K 1PXL WT CE	AM395930055
K2L.3.914613.01	PROPOINT KONTOUR F 0.6 WD 4000K 1PXL WT CE	AM396050055
K2L.3.914613.02	PROPOINT KONTOUR F 0.6 WD 4000K 2PXL WT CE	AM396890055
K4L.3.914613.01	PROPOINT KONTOUR F 1.2 WD 4000K 1PXL WT CE	AM396170055
K4L.3.914613.04	PROPOINT KONTOUR F 1.2 WD 4000K 4PXL WT CE	AM397010055
K8L.3.914613.01	PROPOINT KONTOUR F 2.4 WD 4000K 1PXL WT CE	AM396290055
K8L.3.914613.08	PROPOINT KONTOUR F 2.4 WD 4000K 8PXL WT CE	AM397130055

Accessories (ETL / CE)

Model No.	Description	Item Code
PP.AC.100001	PROPOINT LINEAR/KONTOUR INJECTOR BOX	AM374890055
PP.AC.100002	PROPOINT LINEAR/KONTOUR INJECTOR BOX BL	AM374900055
PP.AC.100003	PROPOINT LINEAR/KONTOUR INJECTOR BOX WT	AM374910055
PP.AC.600000	PP LIN/KON END CAP W/ TERM.	AM380550055
PP.AC.400000	PROPOINT RJ45 FIELD INSTALL CONNECTORS (PAIR)	AM380560055

Accessories (CE)

Model No.	Description	Item Code
PP.A2.303000	3M PP LINEAR POWER INPUT CABLE CE	AM374840055
KO.KB.610000	10M KONTOUR PWR/DATA INT CBL CE	AM357520155
KO.KB.601000	1M KONTOUR PWR/DATA INT CBL CE	AM357490155
KO.KB.602000	2M KONTOUR PWR/DATA INT CBL CE	AM357500155
KO.KB.603000	3M KONTOUR PWR/DATA INT CBL CE	AM357510155

Accessories (Optional)

Model No.	Description	Item Code
KO.AA.900010	KONTOUR SAFETY CABLE 0.25M (10")	AM403000055

Our Brands

traxon **et:cue**

www.traxontechnologies.com | www.osram.us/traxon

OSRAM

©2021 TRAXON TECHNOLOGIES - AN OSRAM BUSINESS. ALL RIGHTS RESERVED. TRAXON™, TX CONNECT®[®], ARE TRADEMARKS OF TRAXON TECHNOLOGIES. U.S. PATENTS, E.U. PATENTS, JAPAN PATENTS, OTHER PATENTS PENDING. SPECIFICATIONS ARE SUBJECT TO CHANGE WITHOUT NOTICE.