

Date: \_\_\_\_\_ Quantity: \_\_\_\_\_

Company: \_\_\_\_\_

Project: \_\_\_\_\_



## ProPoint™ Linear HO Dynamic White

The ProPoint Linear Dynamic White is an AC Line powered luminaire in a slim profile. The ProPoint Linear Dynamic White is available in 8W (SO) or 12W (HO) per foot output, 4 beam options, standard & custom finishes which can meet the needs for most projects. The daisy chain topology is augmented with a separate Data Injector allowing single cable feed combining data and power to fixtures.

### Product Specifications

Model	ProPoint Linear HO Dynamic White 1'	ProPoint Linear HO Dynamic White 4'
Light Source	2200K/6500K LED Cluster x 5	2200K/6500K LED Cluster x 20
Color Range	DW (2200K - 6500K)	
Beam Angle	15°, 25°, 35°, 50° x 30°, 105° x 105°	
Luminous Flux	681 lm @15°	2,460 lm @15°
Efficacy	53 lm/W @15°	53 lm/W @15°
Lumen Maintenance	L <sub>70</sub> @ 25° 81,000 hours	
Cover Lens	Tempered Glass	
Housing	Die Cast Aluminum	
Adjustment Options	±90°	
Size	300mm x 58mm x 90mm (12" x 2.3" x 3.6")	1200mm x 58mm x 90mm (48" x 2.3" x 3.6")
Weight	1.35 kg (3 lbs.)	3.6 kg (8 lbs.)
Regulatory/Product Certifications	cETLus, FCC, RoHS, ASTM B117-16, ANSI 3G, IK08	
Operating Temperature	-30°C to +55°C (-22°F to +131°F)	
Minimum Starting Temperature	-20°C (-4°F)	
Storage Temperature	-40°C to +80°C (-40°F to +176°F)	
Environment	IP66 Outdoor, suitable for coastal environments	
Humidity	85%, non-condensing	

### Electrical Specifications

Input Voltage <sup>1</sup>	100-277V <sub>AC</sub> 50/60Hz	
Wattage	12W	48W
Power Factor	≥0.9	

### System Specifications

Power	AC Line
Control	DMX512, RDM Enabled
Power Supply	Integrated

1. Auto-switching. Single phase (line, neutral and ground).

**LED CHARACTERISTICS:** Because LEDs are semiconductor devices, their performances are subject to inherent variability commonly found in semiconductor industry. To improve consistency in performance across the same product, LED manufacturers "sort" LEDs into bins according to different preset parameters, such as forward driving voltage, illumination, etc. Whereas binning is a sorting function, it is not a correction process. Inherent variability in the manufacturing process always results in different binning distributions according to different production lots. Traxon uses automatically binned LEDs on its products, thereby minimizing output variations within the model range.

As with all electronic devices, LED output degrades over time – a term called lumen depreciation. This also explains why it is nearly impossible to expect photometric performances of two LED products with different service life spans to be the same. The rate of LED degrade is a complicated function involving many factors, such as operating efficiency, duration of continuous operation and, more significantly, environmental conditions (ambient temperature for example). If allowed, working under optimal operating temperature range and with good ventilation, LED devices enjoy long service lives over conventional light sources. When using/installing LED devices, care should be taken to ensure that the devices will operate within the operating conditions specified in respective product literature.

Lumen measurement complies with LM-79-08 standard.  
Lumen maintenance is calculated based on LM-80 compliant measurement.

[www.traxontechnologies.com](http://www.traxontechnologies.com)  
[www.osram.us/traxon](http://www.osram.us/traxon)

©2019 TRAXON TECHNOLOGIES - AN OSRAM BUSINESS. ALL RIGHTS RESERVED. TRAXON™ AND TX CONNECT® ARE TRADEMARKS OF TRAXON TECHNOLOGIES. U.S. PATENTS, E.U. PATENTS, JAPAN PATENTS, OTHER PATENTS PENDING. SPECIFICATIONS ARE SUBJECT TO CHANGE WITHOUT NOTICE.

### Source Specifications

LED Source	2200K / 6500K LED clusters x5 / x20
Beam Angle	15°
Cover Lens	Tempered Glass

### Candela Distribution

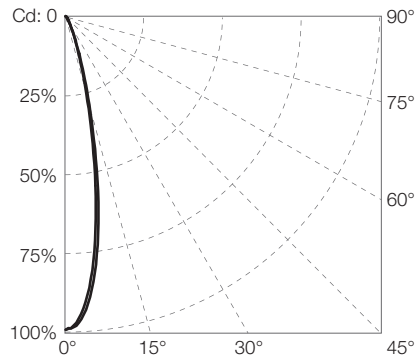


Diagram based on HO 1' Dynamic White 15°

### Light Output

Color Temperature	Luminous Flux (lm)	Candela Distribution @100%	Efficacy (lm/W)
<b>ProPoint Linear HO Dynamic White 15° 1'</b>			
White (full on)	681.86	3,466.05	53.27
Warm White (2200K)	259.45	1,317.14	37.60
Warm White (2700K)	334.32	1,691.86	42.32
Neutral White (4000K)	623.39	3,137.17	54.68
Cold White (6500K)	426.25	2,161.91	61.78
<b>ProPoint Linear HO Dynamic White 15° 4'</b>			
White (full on)	2,460.4	11,513.32	53.26
Warm White (2200K)	927.3	4,425.55	38.00
Warm White (2700K)	1,223.5	5,857.9	42.78
Neutral White (4000K)	2,295.6	10,861.17	54.01
Cold White (6500K)	1,519.5	7,043.75	61.52

### Illuminance at a Distance

#### ProPoint Linear HO Dynamic White 15° 1'

	Center Beam LUX	Beam Width
1m	3,479	0.38m
2m	869.7	0.76m
3m	386.5	1.14m
4m	217.4	1.52m
5m	139.2	1.89m

- Vert. Spread: 21.5°
- Horiz. Spread: 21.5°

For feet multiply by 3.28

For fc divide by 10.7

#### ProPoint Linear HO Dynamic White 15° 4'

	Center Beam LUX	Beam Width
1m	11,486	0.39m
2m	2,872	0.78m
3m	1,276	1.17m
4m	717.9	1.55m
5m	459.4	1.94m

- Vert. Spread: 22.0°
- Horiz. Spread: 22.0°

For feet multiply by 3.28

For fc divide by 10.7

# ProPoint™ Linear HO Dynamic White

## Photometrics

### Source Specifications

LED Source	2200K / 6500K LED clusters x5 / x20
Beam Angle	25°
Cover Lens	Tempered Glass

### Candela Distribution

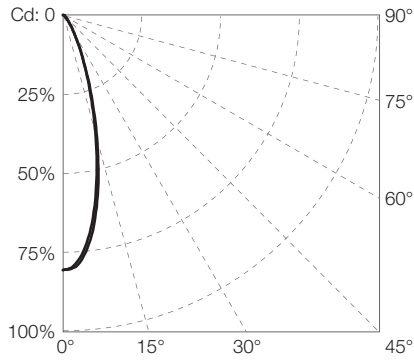


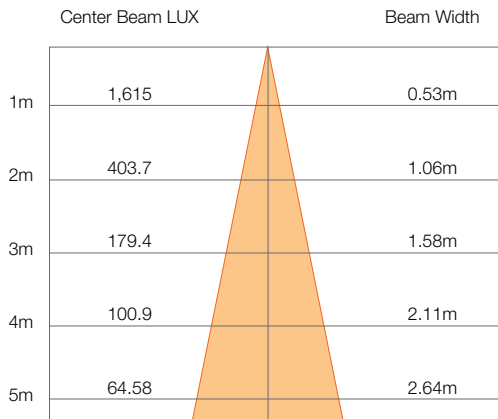
Diagram based on HO 1' Dynamic White 25°

### Light Output

Color Temperature	Luminous Flux (lm)	Candela Distribution @100%	Efficacy (lm/W)
<b>ProPoint Linear HO Dynamic White 25° 1'</b>			
White (full on)	617.16	1,609.96	48.98
Warm White (2200K)	233.31	612.02	34.62
Warm White (2700K)	304.9	802.18	39.09
Neutral White (4000K)	577.26	1,512.68	50.20
Cold White (6500K)	387.81	1,017.64	57.88
<b>ProPoint Linear HO Dynamic White 25° 4'</b>			
White (full on)	2,231.4	5,677.08	48.51
Warm White (2200K)	856.78	2,205.56	34.69
Warm White (2700K)	1,177.3	3,031.02	40.32
Neutral White (4000K)	2,079.2	5,323.48	49.50
Cold White (6500K)	1,386.7	3,538.74	56.37

### Illuminance at a Distance

#### ProPoint Linear HO Dynamic White 25° 1'

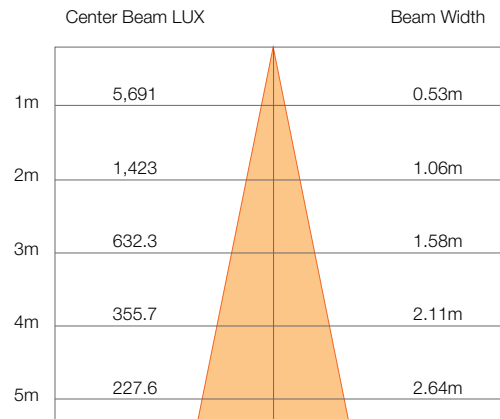


- Vert. Spread: 29.6°
- Horiz. Spread: 29.6°

For feet multiply by 3.28

For fc divide by 10.7

#### ProPoint Linear HO Dynamic White 25° 4'



- Vert. Spread: 29.6°
- Horiz. Spread: 29.6°

For feet multiply by 3.28

For fc divide by 10.7

# ProPoint™ Linear HO Dynamic White

## Photometrics

### Source Specifications

LED Source	2200K / 6500K LED clusters x5 / x20
Beam Angle	35°
Cover Lens	Tempered Glass

### Candela Distribution

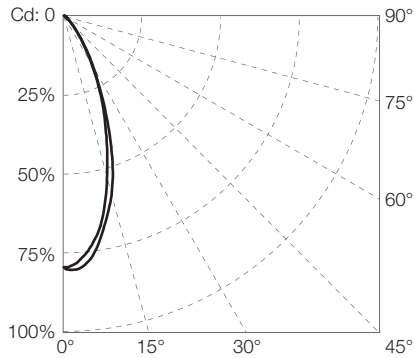


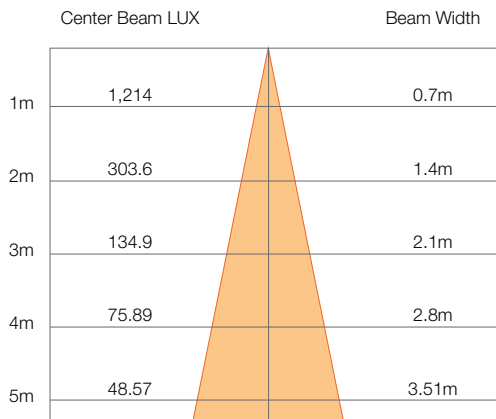
Diagram based on HO 1' Dynamic White 35°

### Light Output

Color Temperature	Luminous Flux (lm)	Candela Distribution @100%	Efficacy (lm/W)
<b>ProPoint Linear HO Dynamic White 35° 1'</b>			
White (full on)	660.69	1,209.40	52.02
Warm White (2200K)	246.44	465.79	36.78
Warm White (2700K)	320.62	607.75	41.64
Neutral White (4000K)	605.15	1,134.28	53.55
Cold White (6500K)	410.24	765.48	61.23
<b>ProPoint Linear HO Dynamic White 35° 4'</b>			
White (full on)	2,416.5	4,347.81	52.53
Warm White (2200K)	906.87	1,693.83	37.63
Warm White (2700K)	1,167.4	2,216.82	41.99
Neutral White (4000K)	2,265.1	4,287.55	53.05
Cold White (6500K)	1,505.8	2,853.67	60.47

### Illuminance at a Distance

#### ProPoint Linear HO Dynamic White 35° 1'

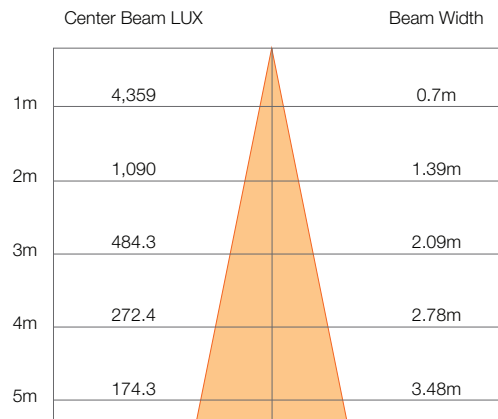


- Vert. Spread: 38.6°
- Horiz. Spread: 38.6°

For feet multiply by 3.28

For fc divide by 10.7

#### ProPoint Linear HO Dynamic White 35° 4'



- Vert. Spread: 38.3°
- Horiz. Spread: 38.3°

For feet multiply by 3.28

For fc divide by 10.7

[www.traxontechnologies.com](http://www.traxontechnologies.com)  
[www.osram.us/traxon](http://www.osram.us/traxon)

©2019 TRAXON TECHNOLOGIES - AN OSRAM BUSINESS. ALL RIGHTS RESERVED. TRAXON™ AND TX CONNECT® ARE TRADEMARKS OF TRAXON TECHNOLOGIES. U.S. PATENTS, E.U. PATENTS, JAPAN PATENTS, OTHER PATENTS PENDING. SPECIFICATIONS ARE SUBJECT TO CHANGE WITHOUT NOTICE.

# ProPoint™ Linear HO Dynamic White

## Photometrics

### Source Specifications

LED Source	2200K / 6500K LED clusters x5 / x20
Beam Angle	50° x 30°
Cover Lens	Tempered Glass

### Candela Distribution

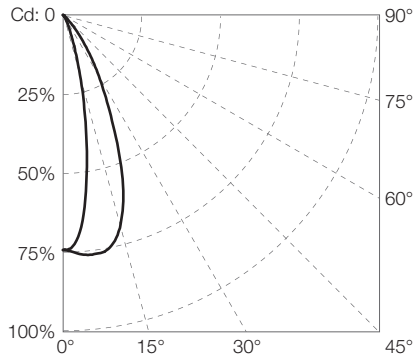


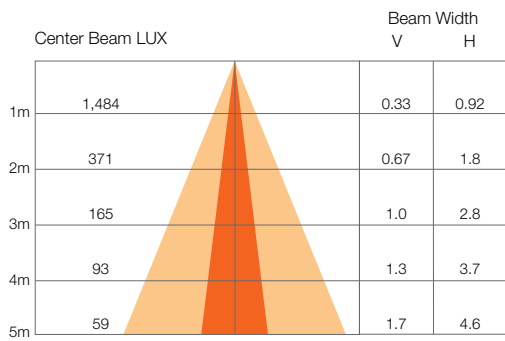
Diagram based on HO 1' Dynamic White 50° x 30°

### Light Output

Color Temperature	Luminous Flux (lm)	Candela Distribution @100%	Efficacy (lm/W)
<b>ProPoint Linear HO Dynamic White 50° x 30° 1'</b>			
White (full on)	614.87	1,531.27	48.04
Warm White (2200K)	231.35	579.94	34.02
Warm White (2700K)	299.96	749.12	38.46
Neutral White (4000K)	557.66	1,387.34	49.35
Cold White (6500K)	384.36	952.71	55.70
<b>ProPoint Linear HO Dynamic White 50° x 30° 4'</b>			
White (full on)	2228	5,381.27	48.33
Warm White (2200K)	850.85	2,062.82	34.73
Warm White (2700K)	1,086.8	2,654.56	38.95
Neutral White (4000K)	2,068.7	5,001.34	49.37
Cold White (6500K)	1,385.5	3,350.22	56.55

### Illuminance at a Distance

#### ProPoint Linear HO Dynamic White 50° x 30° 1'

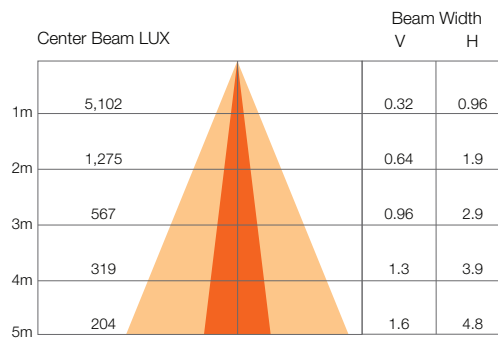


- Vert Spread: 19.0°
- Horiz Spread: 49.6°

For feet multiply by 3.28

For fc divide by 10.7

#### ProPoint Linear HO Dynamic White 50° x 30° 4'



- Vert Spread: 18.2°
- Horiz Spread: 51.4°

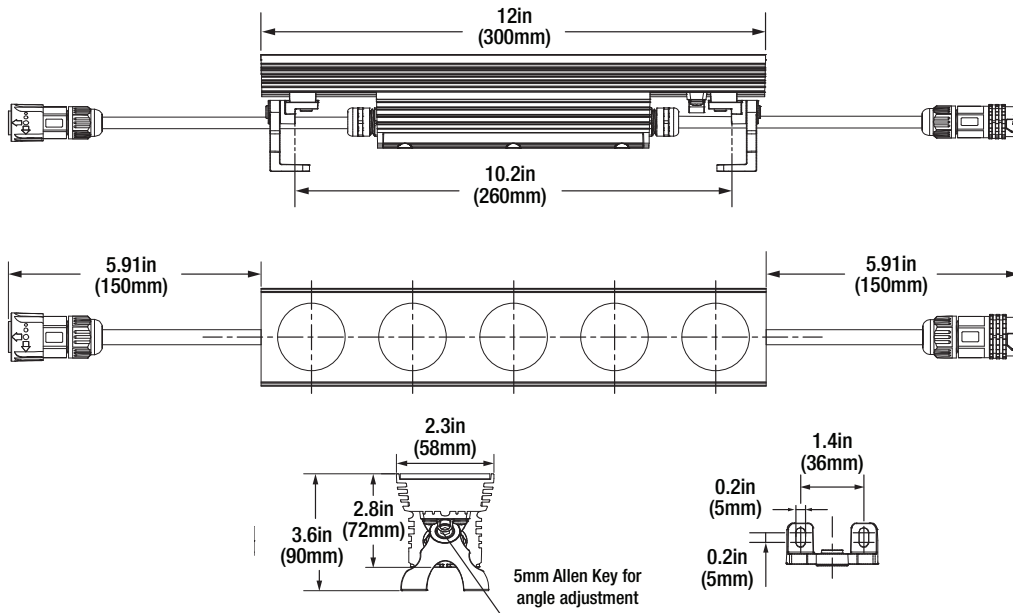
For feet multiply by 3.28

For fc divide by 10.7

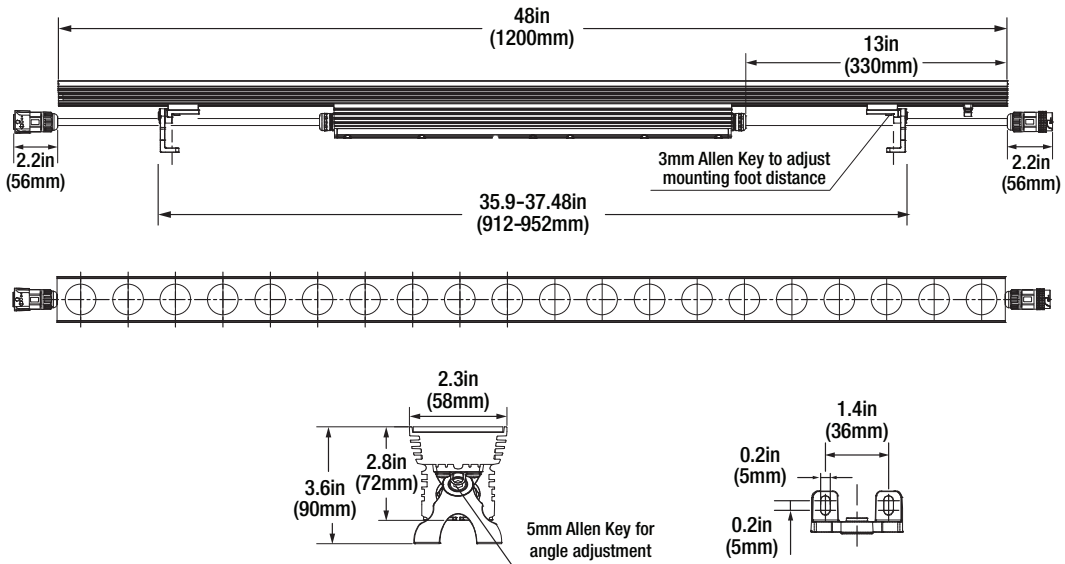
# ProPoint™ Linear HO Dynamic White

## Dimensions

### ProPoint™ Linear 1'

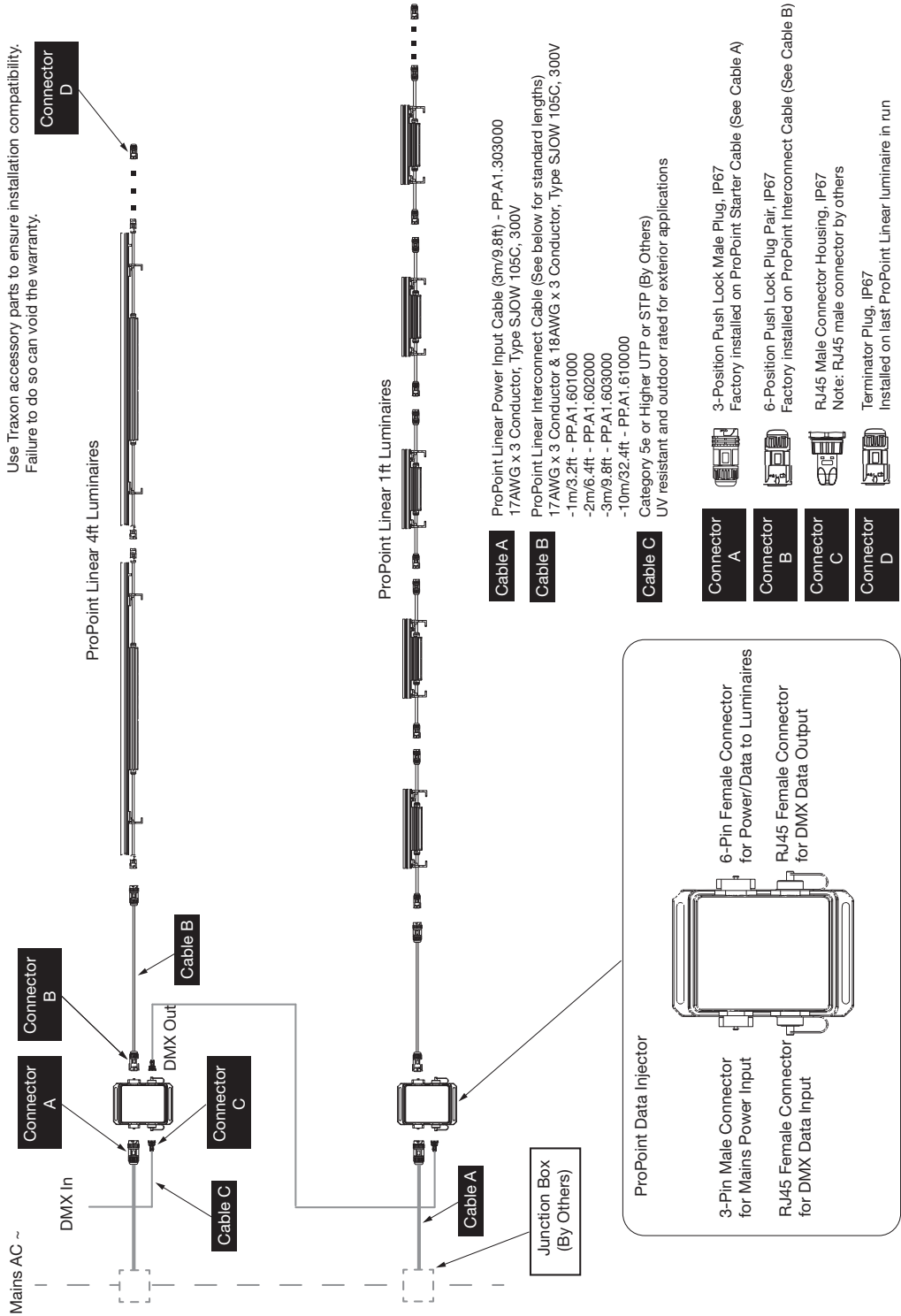


### ProPoint Linear 4'



www.traxontechnologies.com  
www.osram.us/traxon

©2019 TRAXON TECHNOLOGIES - AN OSRAM BUSINESS. ALL RIGHTS RESERVED. TRAXON™ AND TX CONNECT® ARE TRADEMARKS OF TRAXON TECHNOLOGIES. U.S. PATENTS, E.U. PATENTS, JAPAN PATENTS, OTHER PATENTS PENDING. SPECIFICATIONS ARE SUBJECT TO CHANGE WITHOUT NOTICE.



www.traxontechnologies.com  
www.osram.us/traxon

©2019 TRAXON TECHNOLOGIES - AN OSRAM BUSINESS. ALL RIGHTS RESERVED. TRAXON™ AND TX CONNECT® ARE TRADEMARKS OF TRAXON TECHNOLOGIES. U.S. PATENTS, E.U. PATENTS, JAPAN PATENTS, OTHER PATENTS PENDING. SPECIFICATIONS ARE SUBJECT TO CHANGE WITHOUT NOTICE.

# ProPoint™ Linear HO Dynamic White

Ordering

## Model Number

PP	.	XX	.	9	2	7	4	X	X
ProPoint		Linear HO		Control	Color	CCT	Approbation	Optic	Finish
		L1 - 4' 48W		9: DMX	2: DW	7: 2200K-6500K	4: cETLus	2: 15°	1: Gray
		L4 - 1' 12W						3: 25°	2: Black
								4: 35°	3: White
								5: 50° x 30°	
								6: 105° x 105°	

## Fixtures

Model Number	Description	Item Code
PP.L4.927421	ProPoint Linear HO (12W) 1' DW 15°	
PP.L4.927431	ProPoint Linear HO (12W) 1' DW 25°	
PP.L4.927441	ProPoint Linear HO (12W) 1' DW 35°	
PP.L4.927451	ProPoint Linear HO (12W) 1' DW 50°x30°	
PP.L1.927421	ProPoint Linear HO (48W) 4' DW 15°	
PP.L1.927431	ProPoint Linear HO (48W) 4' DW 25°	
PP.L1.927441	ProPoint Linear HO (48W) 4' DW 35°	
PP.L1.927451	ProPoint Linear HO (48W) 4' DW 50°x30°	
PP.L4.927422	ProPoint Linear HO (12W) 1' DW 15° BL	
PP.L4.927432	ProPoint Linear HO (12W) 1' DW 25° BL	
PP.L4.927442	ProPoint Linear HO (12W) 1' DW 35° BL	
PP.L4.927452	ProPoint Linear HO (12W) 1' DW 50°x30° BL	
PP.L1.927422	ProPoint Linear HO (48W) 4' DW 15° BL	
PP.L1.927432	ProPoint Linear HO (48W) 4' DW 25° BL	
PP.L1.927442	ProPoint Linear HO (48W) 4' DW 35° BL	
PP.L1.927452	ProPoint Linear HO (48W) 4' DW 50°x30° BL	
PP.L4.927423	ProPoint Linear HO (12W) 1' DW 15° WT	
PP.L4.927433	ProPoint Linear HO (12W) 1' DW 25° WT	
PP.L4.927443	ProPoint Linear HO (12W) 1' DW 35° WT	
PP.L4.927453	ProPoint Linear HO (12W) 1' DW 50°x30° WT	
PP.L1.927423	ProPoint Linear HO (48W) 4' DW 15° WT	
PP.L1.927433	ProPoint Linear HO (48W) 4' DW 25° WT	
PP.L1.927443	ProPoint Linear HO (48W) 4' DW 35° WT	
PP.L1.927453	ProPoint Linear HO (48W) 4' DW 50°x30° WT	

[www.traxontechnologies.com](http://www.traxontechnologies.com)  
[www.osram.us/traxon](http://www.osram.us/traxon)

©2019 TRAXON TECHNOLOGIES - AN OSRAM BUSINESS. ALL RIGHTS RESERVED. TRAXON™ AND TX CONNECT® ARE TRADEMARKS OF TRAXON TECHNOLOGIES. U.S. PATENTS, E.U. PATENTS, JAPAN PATENTS, OTHER PATENTS PENDING. SPECIFICATIONS ARE SUBJECT TO CHANGE WITHOUT NOTICE.



## Accessories

Model Number	Description	Item Code
PP.AC.100001	ProPoint Data Injector Box (cETLus/CE)	AM280370055
PP.AC.100002	ProPoint Data Injector Box (cETLus/CE) BL	
PP.AC.100003	ProPoint Data Injector Box (cETLus/CE) WT	
PP.AC.600000	ProPoint Linear End Cap w/ Termination Resistor	AM280380055
PP.AC.400000	ProPoint RJ45 Field Install Connectors (pair)	AM280400055
PP.A1.303000	3m Power Input Cable (cETLus)	AM280360055
PP.A1.601000	1m ProPoint Linear Power/Data Int Cable (cETLus)	AM280310055
PP.A1.602000	2m ProPoint Linear Power/Data Int Cable (cETLus)	AM280330055
PP.A1.603000	3m ProPoint Linear Power/Data Int Cable (cETLus)	AM280340055
PP.A1.610000	10m ProPoint Linear Power/Data Int Cable (cETLus)	AM280350055
PP.LA.200011	Asymmetric Louver 1'	
PP.LA.200012	Asymmetric Louver 1' BL	
PP.LA.200013	Asymmetric Louver 1' WT	
PP.LA.200041	Asymmetric Louver 4'	
PP.LA.200042	Asymmetric Louver 4' BL	
PP.LA.200043	Asymmetric Louver 4' WT	
PP.LA.100001	Wall Mount Arm	
PP.LA.100002	Wall Mount Arm BL	
PP.LA.100003	Wall Mount Arm WT	
PP.AK.000003	ProPoint 3mm Allen Key	
PP.AK.000005	ProPoint 5mm Allen Key	

## Our Brands



www.traxontechnologies.com  
www.osram.us/traxon



©2019 TRAXON TECHNOLOGIES - AN OSRAM BUSINESS. ALL RIGHTS RESERVED. TRAXON™ AND TX CONNECT® ARE TRADEMARKS OF TRAXON TECHNOLOGIES. U.S. PATENTS, E.U. PATENTS, JAPAN PATENTS, OTHER PATENTS PENDING. SPECIFICATIONS ARE SUBJECT TO CHANGE WITHOUT NOTICE.