

Light is OSRAM

OSRAM

Our Brands

traxon ecue



# ProPoint™ Wall Washer Accessories

Body Finishes:



Gray (RAL 7015)



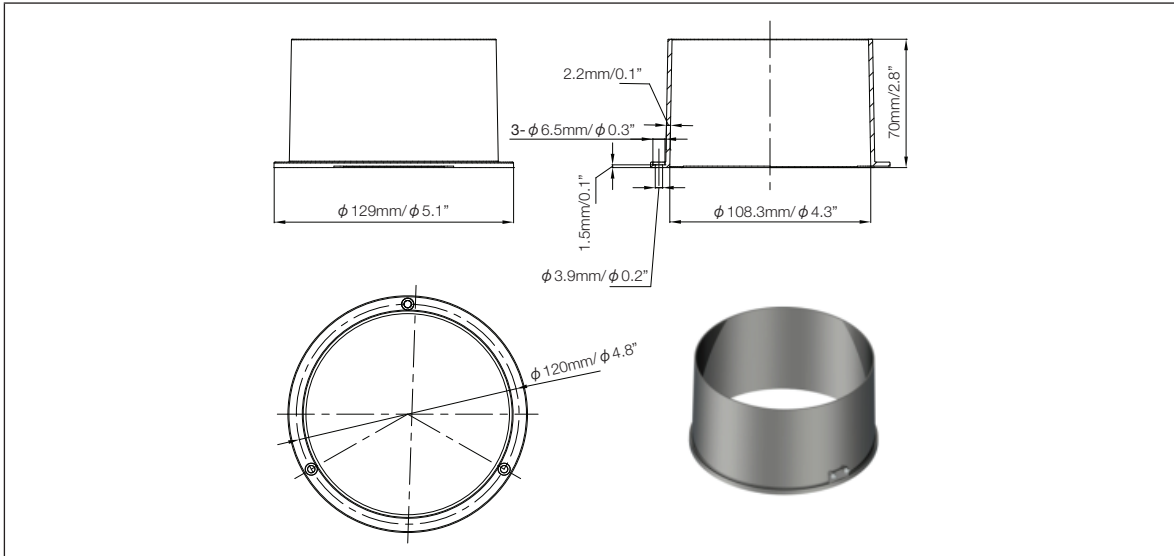
Black (RAL 9005)



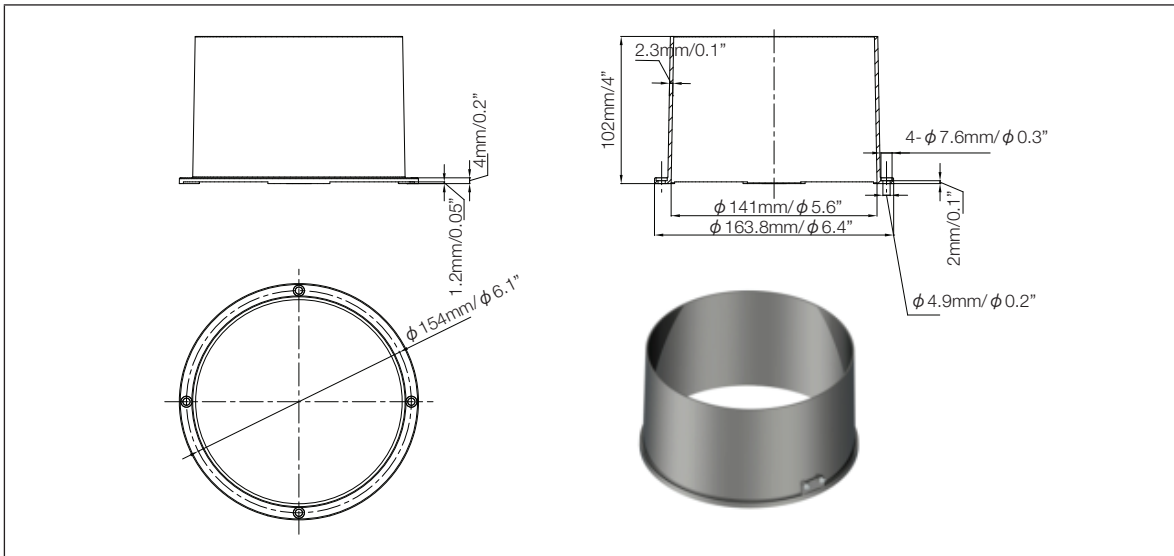
White (RAL 9003)

## Accessories Dimensions

ProPoint Washer 20W Full Glare Shield



ProPoint Washer 40W Full Glare Shield



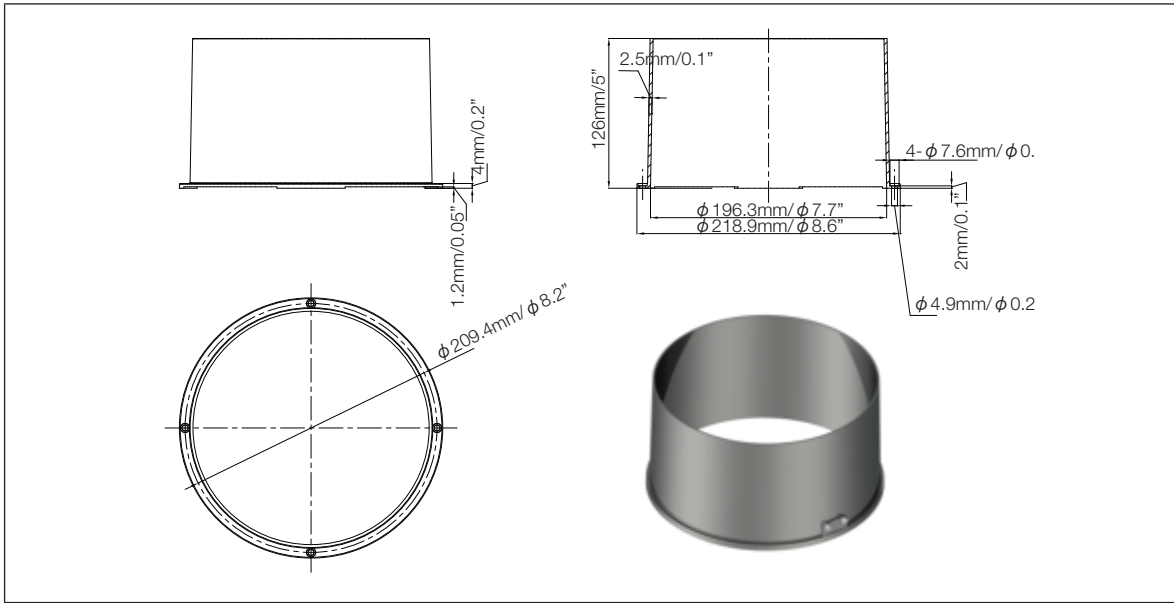
Our Brands

traxon e:cue

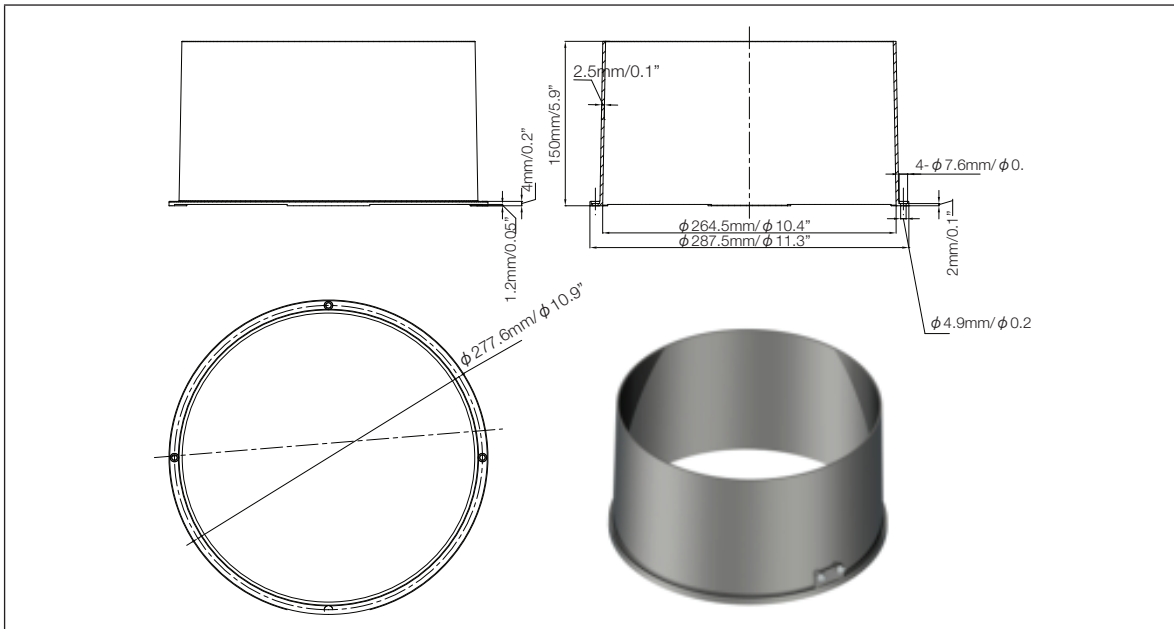
www.traxontechnologies.com | www.osram.us/traxon

OSRAM

ProPoint Washer 80W Full Glare Shield



ProPoint Washer 120W/180W Full Glare Shield



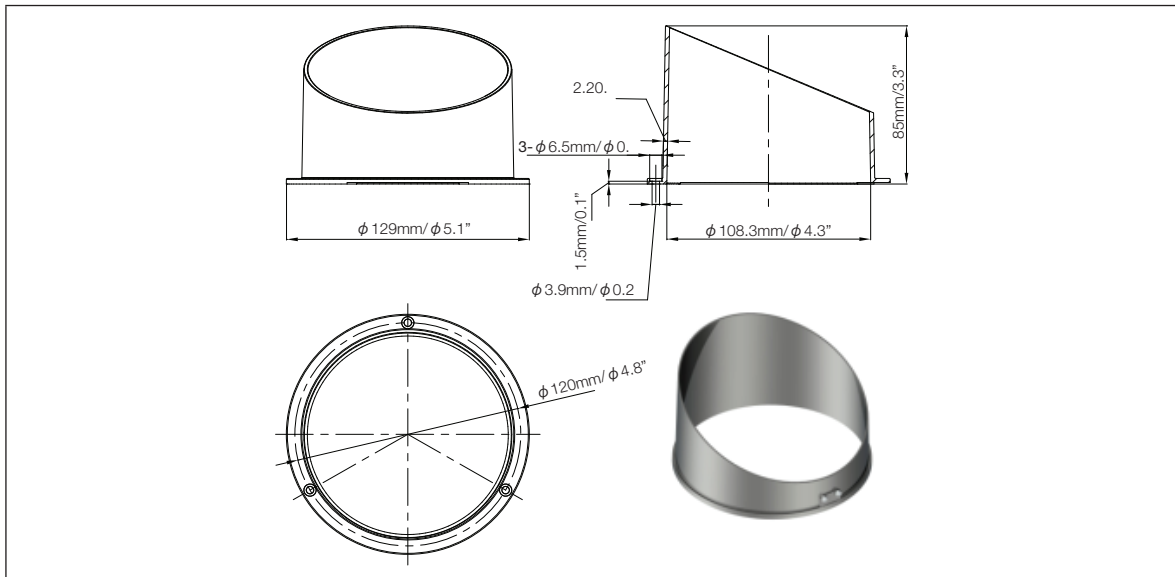
Our Brands

traxon e:cue

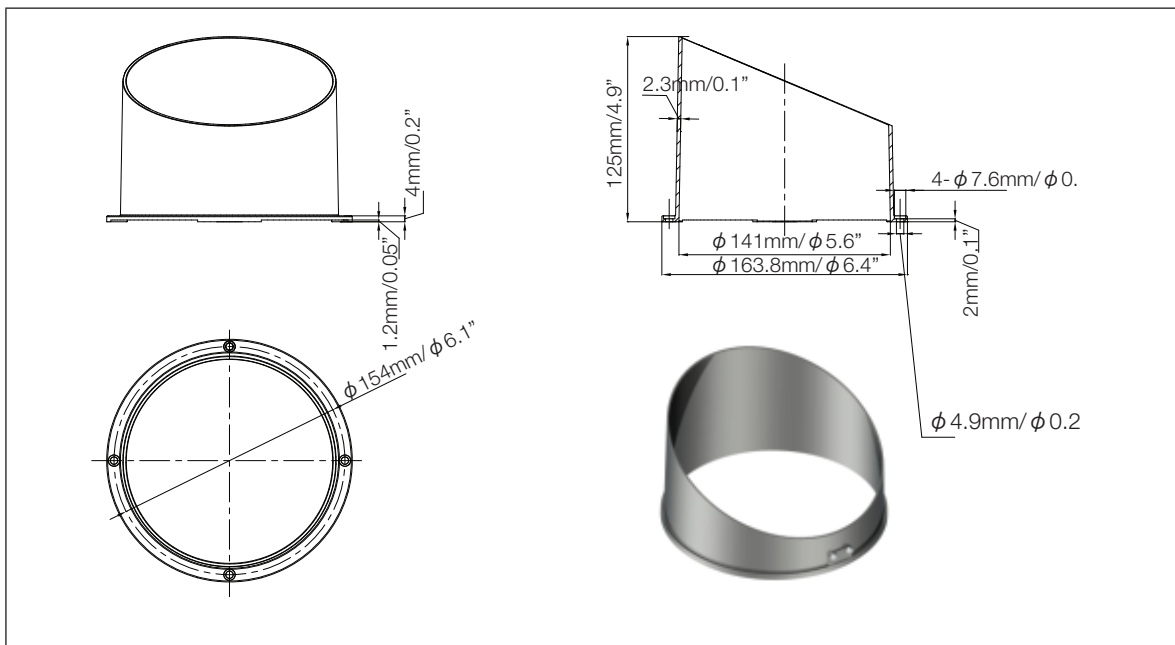
www.traxontechnologies.com | www.osram.us/traxon

OSRAM

ProPoint Washer 20W Half Glare Shield



ProPoint Washer 40W Half Glare Shield



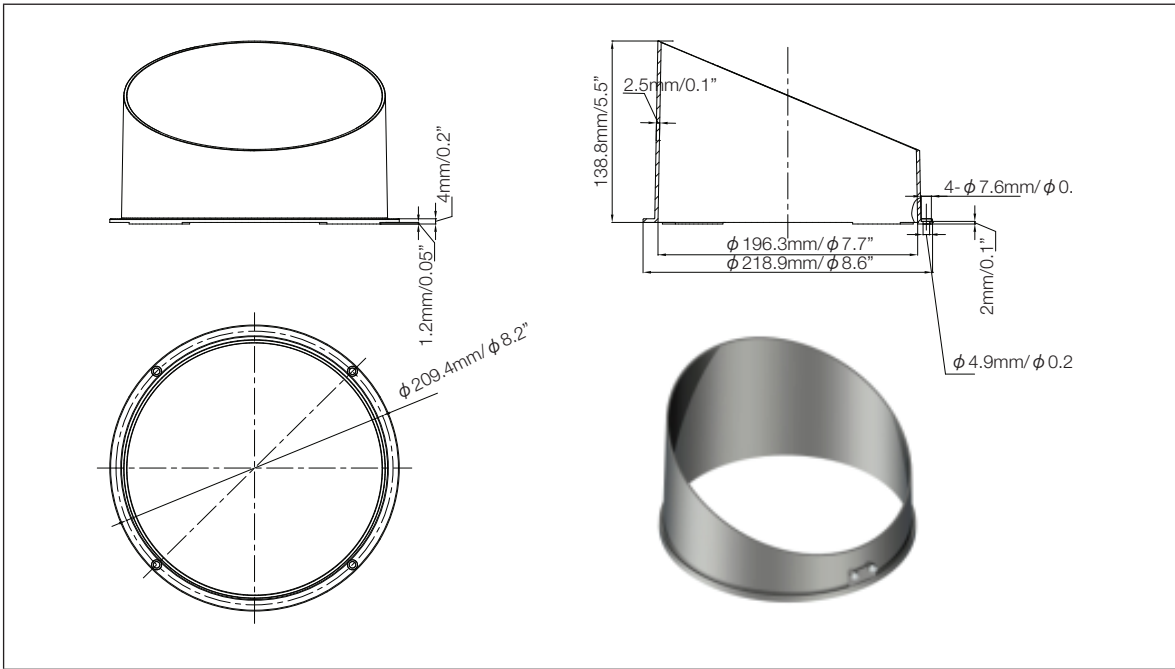
Our Brands

traxon e:cue

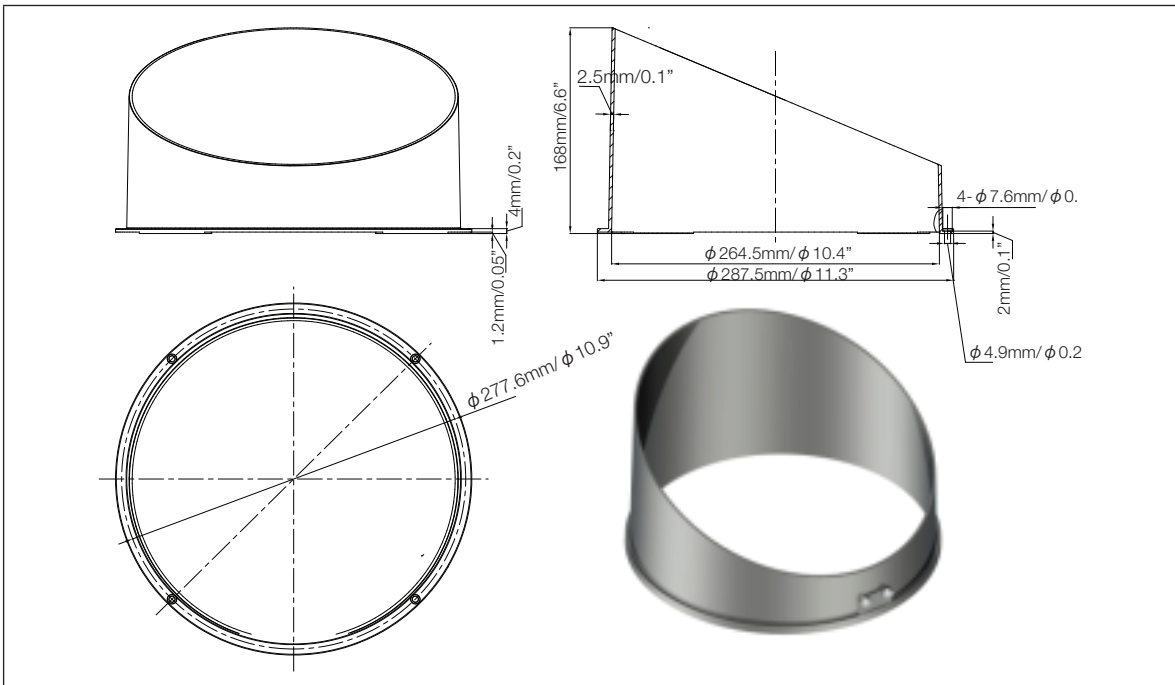
www.traxontechnologies.com | www.osram.us/traxon

OSRAM

ProPoint Washer 80W Half Glare Shield



ProPoint Washer 120W/180W Half Glare Shield



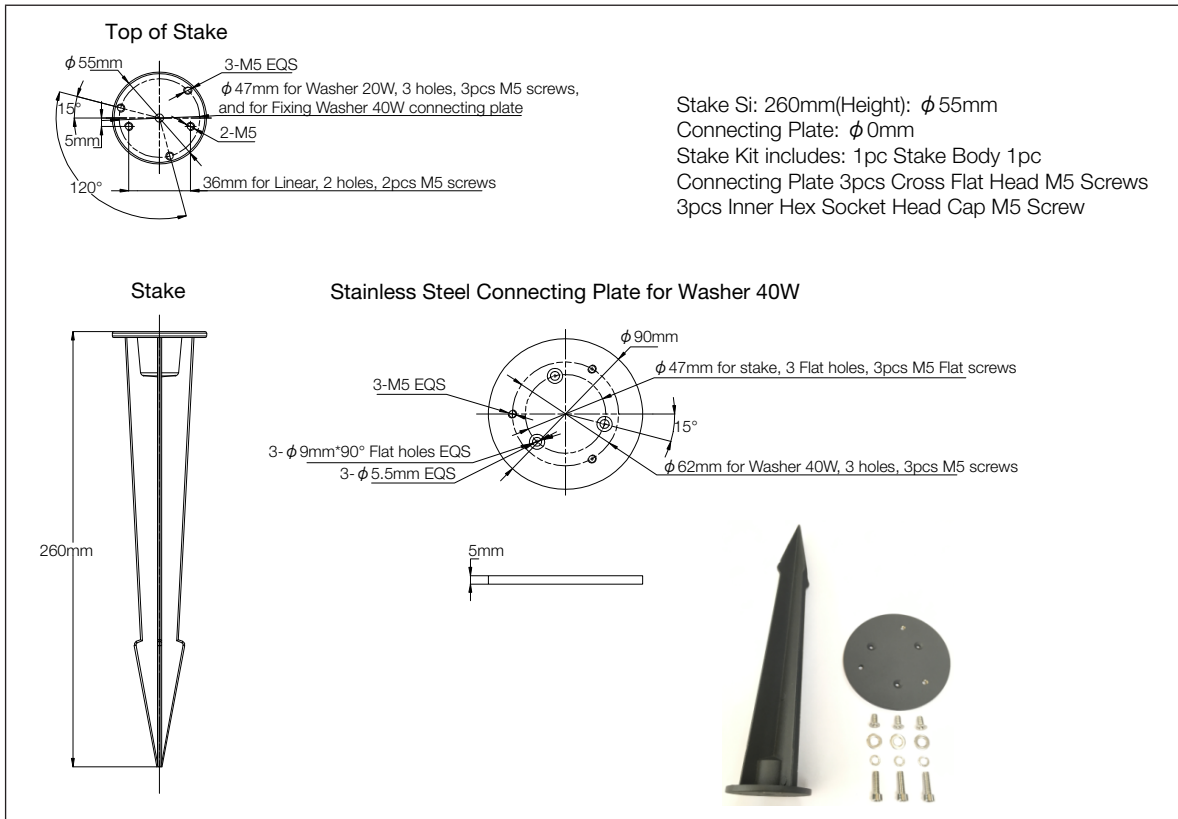
Our Brands

traxon e:cue

www.traxontechnologies.com | www.osram.us/traxon

OSRAM

ProPoint Washer 20W / 40W Landscape Stake Mounting Kit



Our Brands

traxon e:cue

www.traxontechnologies.com | www.osram.us/traxon

OSRAM