

## PURSOS® SHP R V2 Flood Light Datasheet



PURSOS® SHP R V2 Flood Light is a high-power LED flood light with modern design, professional optics for sports and high mast lighting applications (airports, ports, sports centers and facade lighting and other similar occasions). With robustness, long outdoor service life and excellent energy-saving performance, the PURSOS® SHP R V2 Flood Light provides high consistency and high-CRI white light, becoming the ideal replacement for traditional HID 1000/1500/2000W luminaires. Comes with a detachable glare control visors, it outputs as high as 130,000 lm.

### Benefits

Professional optics for both high mast and sports applications

- Excellent glare control, low spilt light
- Beam angles 9°, 15°, 25° and 40°
- Nearly flicker free, fulfill HDTV broadcast standard
- Choice of CRI70, CRI80 and CRI90
- Additional visors for better glare control

Compact size and light weight

- The most compact sizes in the market with comparable weight to traditional flood light
- It is the perfect replacement for traditional HID fixtures in renovation projects with existing poles

Full product range with flexibility of control

- Power options at 450W/600W/800W/1000W; other power options customizable on request
- Controllability of 0-10V/PWM/Time control; DMX

### Applications

- Airports and harbors
- Outdoor stadiums and indoor arenas
- High mast area lighting
- Large building facade lighting

# PURSOS® SHP R V2 Flood Light

## Technical Data

### Optical Specifications

	450W	600W	800W	1000W
<b>Luminous Flux @5700K CRI70</b>	58500 lm	78000 lm	104000 lm	130000 lm
<b>Efficacy @5700K CRI70</b>	130 lm/W	130 lm/W	130 lm/W	130 lm/W
<b>CCT</b>	3000K, 4000K, 5700K (Other CCT is available on request)			
<b>CRI</b>	CRI > 70 (CRI>80 & CRI>90 available on request)			
<b>SDCM</b>	5 SDCM			
<b>Beam Angle</b>	9° 15° 25° 40°	9° 15° 25° 40°	9° 15° 25° 40°	9° 15° 25° 40°

### Electrical and Mechanical Specifications

<b>Input Voltage</b>	220-240V AC 50/60Hz			
<b>Power Consumption</b>	450W	600W	800W	1000W
<b>Power Factor</b>	0.95			
<b>Surge Protection</b>	Line-to-line 5KV, line-to-earth 10KV			
<b>Total Harmonic Distortion</b>	10%			
<b>Dimensions</b>	<b>Length</b>	532mm		
	<b>Width</b>	510mm		
	<b>Height</b>	252mm	269mm	309mm
<b>Weight (luminaire)</b>	17.6kg	20.2kg	26.4kg	31.2kg
<b>Cover Lens</b>	PC Lens			
<b>Housing</b>	Die-casting in metallic grey			

### System Specifications

<b>Power</b>	AC line
<b>Dimmable</b>	Yes (4 in 1 of On/Off, 0-10V, PWM, Time control; DMX)
<b>Mounting Type</b>	Bracket installation, suitable for installation on the ground, wall, high mast and other solid plane
<b>Operating Temperature</b>	Outdoor: -40°C to +50°C; Indoor: -40°C to +45°C
<b>Storage Temperature</b>	-40°C to +80°C
<b>Environment</b>	Outdoor (IP66, IK08)
<b>Lumen Maintenance</b>	L70 @35°C - 50,000hrs
<b>Safety Approval</b>	Electrical Protection Class I, CQC, CB

Due to the special conditions of manufacturing process of LED, the typical data of technical parameters can only reflect statistical figures and do not necessarily correspond to the actual parameters of each single product which could differ from typical data.

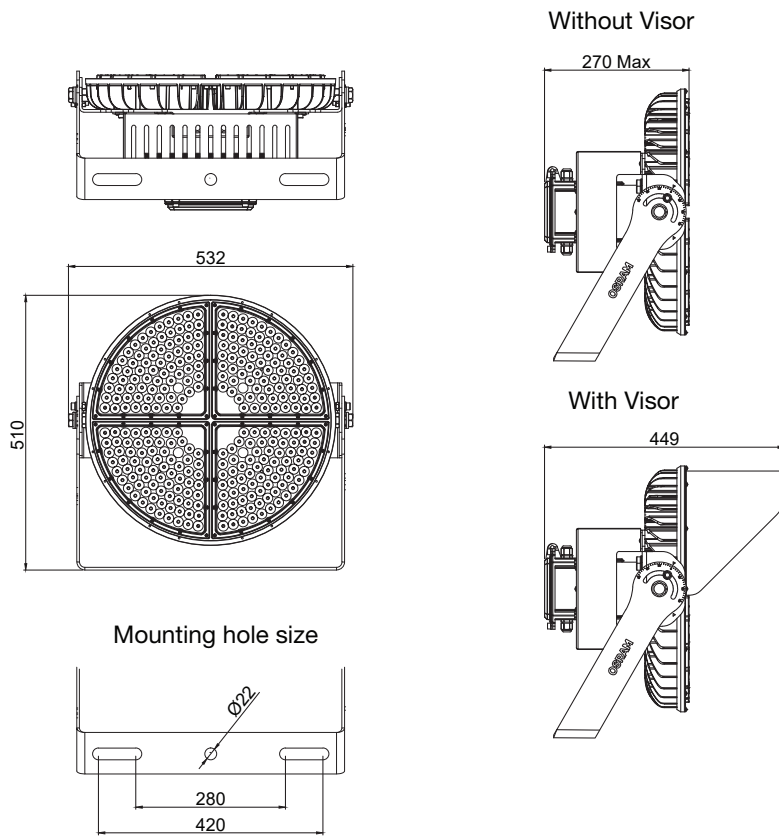
Exceeding maximum ratings for operation voltage will cause hazardous overload and will likely destroy the LED module.

Exceeding maximum ratings for operation and storage temperature will reduce expected life time or destroy the LED module.

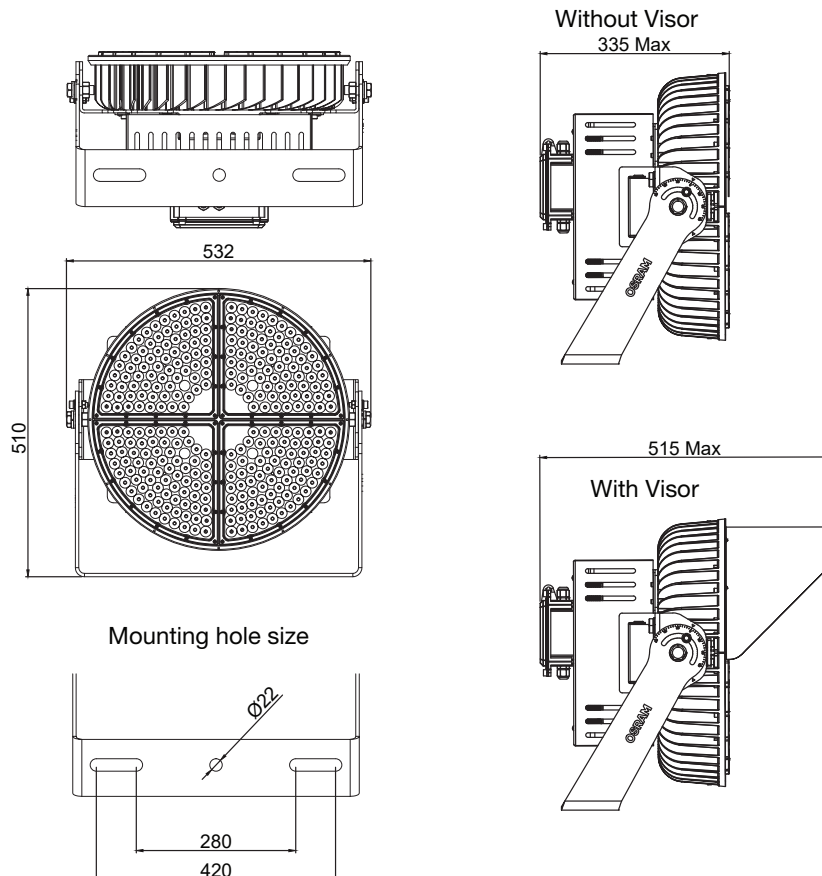
DS0123EN V1.1 12/20- Specifications are subject to change without notice. Errors and omission excepted, always make sure to use the most recent release.

# PURSOS® SHP R V2 Flood Light

## 450W/600W Dimension

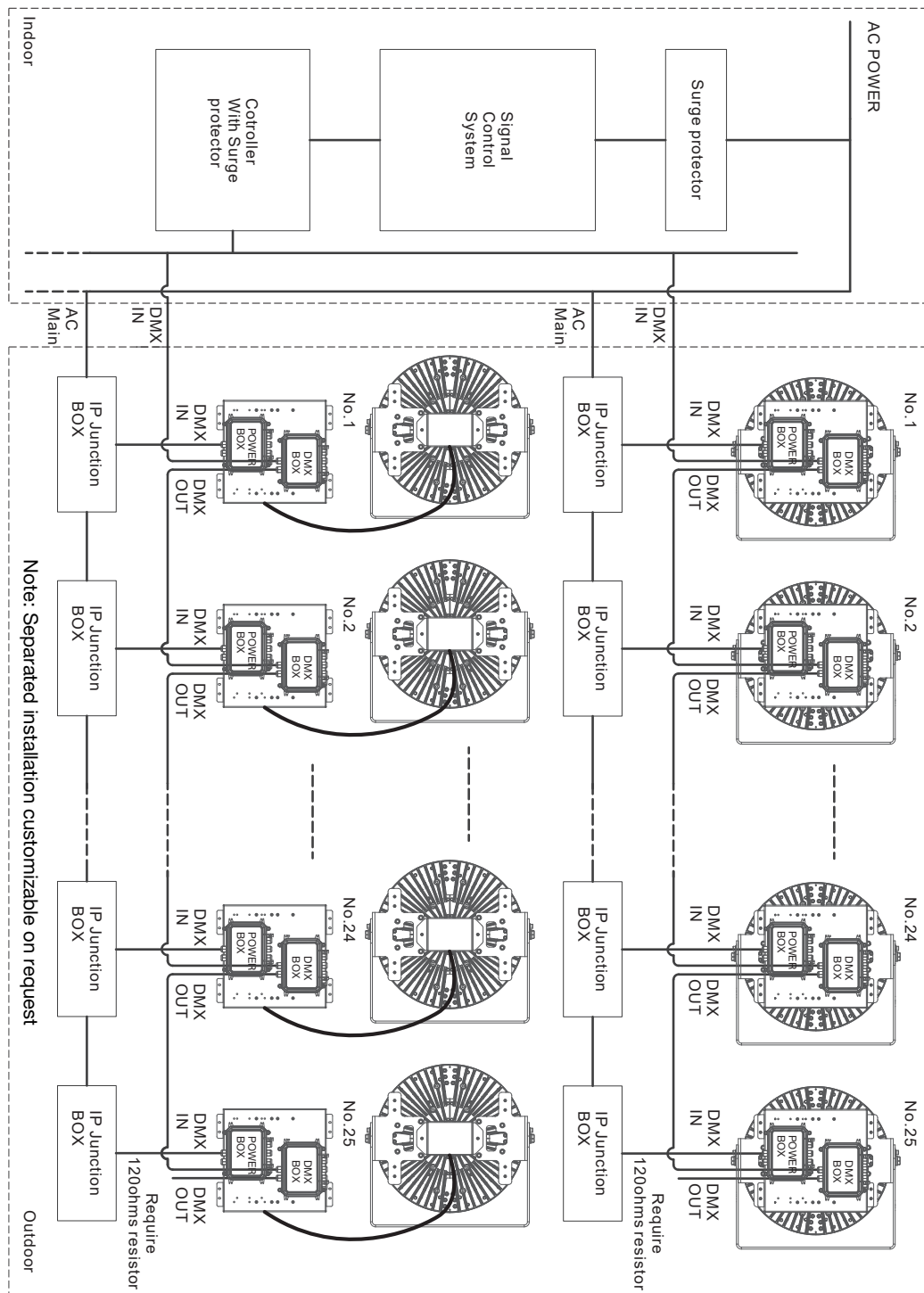


## 800W/1000W Dimension



# PURSOS® SHP R V2 Flood Light

## DMX System Diagram

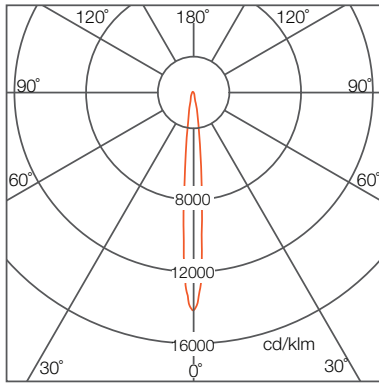


1. Fixture is RDM compatible.
2. Up to 25pcs luminaires daisy-chained in single loop.
3. Signal amplifier is recommended when the distance between controller and the first luminaire is over 80 meters.
4. Signal amplifier is recommended when the distance between adjacent luminaires is over 80 meters.
5. Suggest to use shielded twisted-pair cable as signal cable.
6. Require addressing tool and RDM for addressing the luminaires.
7. Order all the cables/signal amplifiers/IP junction boxes separately.
8. For each signal loop, require 120 ohms resistor on the last luminaire.

# PURSOS® SHP R V2 Flood Light

## Photometrics

9°

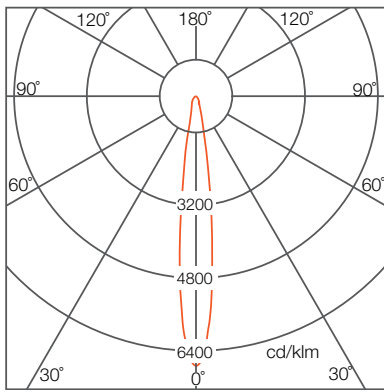


## Illuminance at a distance

	Center Beam Lux/klm	Beam Width
4.6m	671	0.75m
9.1m	168	1.50m
13.7m	75	2.26m
18.3m	42	3.01m
22.9m	27	3.76m
27.4m	19	4.51m
32.0m	14	5.26m

For feet multiply by 3.28  
 For fc divide by 10.7  
 Horiz.Spread: 9.4°

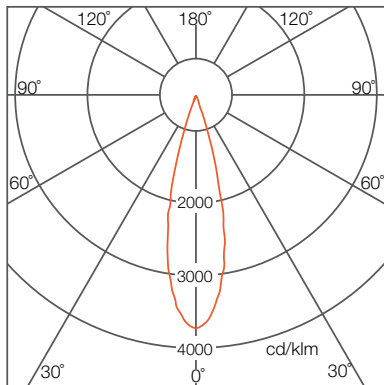
15°



	Center Beam Lux/klm	Beam Width
4.0m	413	1.08m
8.0m	103	2.16m
12.0m	46	3.24m
16.0m	26	4.33m
20.0m	17	5.41m
24.0m	11	6.49m

For feet multiply by 3.28  
 For fc divide by 10.7  
 Horiz.Spread: 15.4°

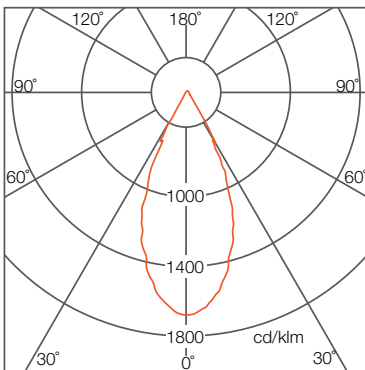
25°



	Center Beam Lux/klm	Beam Width
3.6m	286	1.73m
7.2m	71	3.46m
10.8m	32	5.19m
14.4m	18	6.91m
18.0m	11	8.64m

For feet multiply by 3.28  
 For fc divide by 10.7  
 Horiz.Spread: 27.0°

40°



	Center Beam Lux/klm	Beam Width
3.6m	147	2.89m
7.2m	37	5.79m
10.8m	16	8.68m
14.4m	9	11.58m
18.0m	6	14.47m

For feet multiply by 3.28  
 For fc divide by 10.7  
 Horiz.Spread: 43.8°

Due to the manufacturing processes of LED, the polar candela distribution and distance luminaries only reflect statistical figures and do not necessarily correspond to the actual parameters of individual product that may differ from the typical values.

DS0123EN V1.1 12/20- Specifications are subject to change without notice. Errors and omission excepted, always make sure to use the most recent release.

# PURSOS® SHP R V2 Flood Light

## Ordering Codes

### Fixtures (Round 730 On/Off & 0-10V dim)

Short Text	Power	CCT	Beam Angle	Material	EAN40
PSS SHP R V2 450W 730 9D VS1 OSRAM	450	3000K	9°	AM389090055	4062172181778
PSS SHP R V2 450W 730 15D VS1 OSRAM	450	3000K	15°	AM389110055	4062172181785
PSS SHP R V2 450W 730 25D VS1 OSRAM	450	3000K	25°	AM389120055	4062172181815
PSS SHP R V2 450W 730 40D VS1 OSRAM	450	3000K	40°	AM389130055	4062172181822
PSS SHP R V2 600W 730 9D VS1 OSRAM	600	3000K	9°	AM389140055	4062172181853
PSS SHP R V2 600W 730 15D VS1 OSRAM	600	3000K	15°	AM389150055	4062172181860
PSS SHP R V2 600W 730 25D VS1 OSRAM	600	3000K	25°	AM389170055	4062172181877
PSS SHP R V2 600W 730 40D VS1 OSRAM	600	3000K	40°	AM389180055	4062172181884
PSS SHP R V2 800W 730 9D VS1 OSRAM	800	3000K	9°	AM389190055	4062172181891
PSS SHP R V2 800W 730 15D VS1 OSRAM	800	3000K	15°	AM389200055	4062172181907
PSS SHP R V2 800W 730 25D VS1 OSRAM	800	3000K	25°	AM389210055	4062172181914
PSS SHP R V2 800W 730 40D VS1 OSRAM	800	3000K	40°	AM389220055	4062172181921
PSS SHP R V2 1000W 730 9D VS1 OSRAM	1000	3000K	9°	AM389230055	4062172181938
PSS SHP R V2 1000W 730 15D VS1 OSRAM	1000	3000K	15°	AM389240055	4062172181945
PSS SHP R V2 1000W 730 25D VS1 OSRAM	1000	3000K	25°	AM389250055	4062172181952
PSS SHP R V2 1000W 730 40D VS1 OSRAM	1000	3000K	40°	AM389260055	4062172181969

### Fixtures (Round 740 On/Off & 0-10V dim)

Short Text	Power	CCT	Beam Angle	Material	EAN40
PSS SHP R V2 450W 740 9D VS1 OSRAM	450	4000K	9°	AM389430055	4062172182188
PSS SHP R V2 450W 740 15D VS1 OSRAM	450	4000K	15°	AM389440055	4062172182195
PSS SHP R V2 450W 740 25D VS1 OSRAM	450	4000K	25°	AM389450055	4062172182201
PSS SHP R V2 450W 740 40D VS1 OSRAM	450	4000K	40°	AM389460055	4062172182218
PSS SHP R V2 600W 740 9D VS1 OSRAM	600	4000K	9°	AM389470055	4062172182225
PSS SHP R V2 600W 740 15D VS1 OSRAM	600	4000K	15°	AM389480055	4062172182232
PSS SHP R V2 600W 740 25D VS1 OSRAM	600	4000K	25°	AM389490055	4062172182249
PSS SHP R V2 600W 740 40D VS1 OSRAM	600	4000K	40°	AM389500055	4062172182256
PSS SHP R V2 800W 740 9D VS1 OSRAM	800	4000K	9°	AM389510055	4062172182263
PSS SHP R V2 800W 740 15D VS1 OSRAM	800	4000K	15°	AM389520055	4062172182270
PSS SHP R V2 800W 740 25D VS1 OSRAM	800	4000K	25°	AM389530055	4062172182287
PSS SHP R V2 800W 740 40D VS1 OSRAM	800	4000K	40°	AM389540055	4062172182294
PSS SHP R V2 1000W 740 9D VS1 OSRAM	1000	4000K	9°	AM389550055	4062172182300
PSS SHP R V2 1000W 740 15D VS1 OSRAM	1000	4000K	15°	AM389560055	4062172182317
PSS SHP R V2 1000W 740 25D VS1 OSRAM	1000	4000K	25°	AM389570055	4062172182324
PSS SHP R V2 1000W 740 40D VS1 OSRAM	1000	4000K	40°	AM389580055	4062172182331

# PURSOS® SHP R V2 Flood Light

## Ordering Codes

### Fixtures (Round 757 On/off & 0-10V dim)

Short Text	Power	CCT	Beam Angle	Material	EAN40
PSS SHP R V2 450W 757 9D VS1 OSRAM	450W	5700K	9°	AM355750055	4062172137621
PSS SHP R V2 450W 757 15D VS1 OSRAM	450W	5700K	15°	AM355760055	4062172137638
PSS SHP R V2 450W 757 25D VS1 OSRAM	450W	5700K	25°	AM355820055	4062172137645
PSS SHP R V2 450W 757 40D VS1 OSRAM	450W	5700K	40°	AM355830055	4062172137652
PSS SHP R V2 600W 757 9D VS1 OSRAM	600W	5700K	9°	AM355840055	4062172137669
PSS SHP R V2 600W 757 15D VS1 OSRAM	600W	5700K	15°	AM355850055	4062172137676
PSS SHP R V2 600W 757 25D VS1 OSRAM	600W	5700K	25°	AM355860055	4062172137683
PSS SHP R V2 600W 757 40D VS1 OSRAM	600W	5700K	40°	AM355870055	4062172137690
PSS SHP R V2 800W 757 9D VS1 OSRAM	800W	5700K	9°	AM355880055	4062172137706
PSS SHP R V2 800W 757 15D VS1 OSRAM	800W	5700K	15°	AM355890055	4062172137713
PSS SHP R V2 800W 757 25D VS1 OSRAM	800W	5700K	25°	AM355900055	4062172137720
PSS SHP R V2 800W 757 40D VS1 OSRAM	800W	5700K	40°	AM355910055	4062172137737
PSS SHP R V2 1000W 757 9D VS1 OSRAM	1000W	5700K	9°	AM355920055	4062172137744
PSS SHP R V2 1000W 757 15D VS1 OSRAM	1000W	5700K	15°	AM355770055	4062172137751
PSS SHP R V2 1000W 757 25D VS1 OSRAM	1000W	5700K	25°	AM355780055	4062172137768
PSS SHP R V2 1000W 757 40D VS1 OSRAM	1000W	5700K	40°	AM355790055	4062172137775

### Fixtures (Round 757 DMX)

Short Text	Power	CCT	Beam Angle	Material	EAN40
PSS SHP R V2 450W 757 9D DMX VS1 OSRAM	450	5700K	9°	AM388290055	4062172180795
PSS SHP R V2 450W 757 15D DMX VS1 OSRAM	450	5700K	15°	AM388300055	4062172180801
PSS SHP R V2 450W 757 25D DMX VS1 OSRAM	450	5700K	25°	AM388310055	4062172180818
PSS SHP R V2 450W 757 40D DMX VS1 OSRAM	450	5700K	40°	AM388320055	4062172180825
PSS SHP R V2 600W 757 9D DMX VS1 OSRAM	600	5700K	9°	AM388330055	4062172180832
PSS SHP R V2 600W 757 15D DMX VS1 OSRAM	600	5700K	15°	AM388340055	4062172180849
PSS SHP R V2 600W 757 25D DMX VS1 OSRAM	600	5700K	25°	AM388350055	4062172180856
PSS SHP R V2 600W 757 40D DMX VS1 OSRAM	600	5700K	40°	AM388360055	4062172180863
PSS SHP R V2 800W 757 9D DMX VS1 OSRAM	800	5700K	9°	AM388370055	4062172180870
PSS SHP R V2 800W 757 15D DMX VS1 OSRAM	800	5700K	15°	AM388380055	4062172180887
PSS SHP R V2 800W 757 25D DMX VS1 OSRAM	800	5700K	25°	AM388390055	4062172180894
PSS SHP R V2 800W 757 40D DMX VS1 OSRAM	800	5700K	40°	AM388400055	4062172180900
PSS SHP R V2 1000W 757 9D DMX VS1 OSRAM	1000	5700K	9°	AM388410055	4062172180917
PSS SHP R V2 1000W 757 15D DMX VS1 OSRAM	1000	5700K	15°	AM388420055	4062172180924
PSS SHP R V2 1000W 757 25D DMX VS1 OSRAM	1000	5700K	25°	AM388430055	4062172180931
PSS SHP R V2 1000W 757 40D DMX VS1 OSRAM	1000	5700K	40°	AM388440055	4062172180948

### Accessories

Short Text	Power	CCT	Beam Angle	Material	EAN40
PSS SHP R V2 VISOR	NA	NA	NA	AM391350055	4062172186827
PSS SHP R V2 SAFETYROPE	NA	NA	NA	AM391360055	4062172187572