

PURSOS® SHP S V2 Flood Light Datasheet



PURSOS® SHP S V2 Flood Light is a high-power LED flood light with modern design, professional symmetric and asymmetric optics for sports and high mast lighting applications (airports, ports, sports centers and facade lighting and other similar occasions). With robustness, long outdoor service life and excellent energy-saving performance, the PURSOS® SHP S V2 Flood Light provides high consistency and high-CRI white light, becoming the ideal replacement for traditional HID 1000/1500/2000W luminaires. Comes with a glass cover and detachable glare control visors, it outputs as high as 144,000 lm.

Benefits

Professional light distribution design

- Excellent glare control, low spilt light
- Symmetric beam angles at 9°, 15°, 25°, 40°; Asymmetric optics
- Nearly flicker free, fulfill HDTV broadcast standard
- Choice of CRI70, CRI80 and CRI90
- Additional visors for better glare control

Compact size and light weight

- The most compact size available on the market with the same weight as traditional HID lights
- Light weight and low wind-resistance make it the perfect replacement for traditional HID fixtures in renovation projects with existing poles

Full product range with flexibility of control

- Default power options at 600W/900W/1200W; other power options customizable on request
- Controllability of 0-10V/PWM/Time control; DMX
- Power box allows for both integrative and separate installations.

Applications

- Airports and harbors
- Outdoor stadiums and indoor arenas
- High mast area lighting
- Large building facade lighting

PURSOS® SHP S V2 Flood Light

Technical Data

Optical Specifications

Size	2 Modules		3 Modules		4 Modules	
Power	600W (9°/15°/25°/40°)	400W (Asymmetric)	900W (9°/15°/25°/40°)	600W (Asymmetric)	1200W (9°/15°/25°/40°)	800W (Asymmetric)
Luminous Flux @5700K CRI70	72000 lm	48000 lm	108000 lm	72000 lm	144000 lm	96000 lm
Efficacy @5700K CRI70	120 lm/W	120 lm/W	120 lm/W	120 lm/W	120 lm/W	120 lm/W
CCT	3000K, 4000K, 5700K (Other CCT is available on request)					
CRI	CRI > 70 (CRI>80 & CRI>90 available on request)					
SDCM	5 SDCM					
Beam Angle	9° 15° 25° 40°	Asymmetric	9° 15° 25° 40°	Asymmetric	9° 15° 25° 40°	Asymmetric

Electrical and Mechanical Specifications

Input Voltage	220-240V AC 50/60Hz					
Power Consumption	600W (9°/15°/25°/40°)	400W (Asymmetric)	900W (9°/15°/25°/40°)	600W (Asymmetric)	1200W (9°/15°/25°/40°)	800W (Asymmetric)
Power Factor	0.95					
Surge Protection Independent lightning protection device (SPD)	Line-to-line 10KV, line-to-earth 10KV					
Total Harmonic Distortion	10%					
Dimensions	Length	636mm		636mm		636mm
	Width	594mm		778mm		961mm
	Height	284mm		284mm		284mm
Weight (luminaire)	16.4kg		21.6kg		27.2kg	
Weight (driver box)	6.8kg		9.1kg		10.6kg	
Lens + glass cover	PC Lens + tempered glass cover					
Housing	Die-casting in metallic grey					

System Specifications

Power	AC power, 220-240V AC 50/60Hz
Dimmable	Yes (4 in 1 of On/Off, 0-10V, PWM, Time control; DMX)
Mounting Type	Bracket installation, suitable for installation on the ground, wall, high mast and other solid plane
Operating Temperature	Outdoor: -40°C to +50°C; Indoor: -40°C to +45°C
Storage Temperature	-40°C to +80°C
Environment	IP66/IK08, suitable for outdoor and indoor occasions
Lumen Maintenance	L70 @35°C - 50,000hrs
Safety Approval	Electrical Protection Class I, CQC, CB

Due to the special conditions of manufacturing process of LED, the typical data of technical parameters can only reflect statistical figures and do not necessarily correspond to the actual parameters of each single product which could differ from typical data.

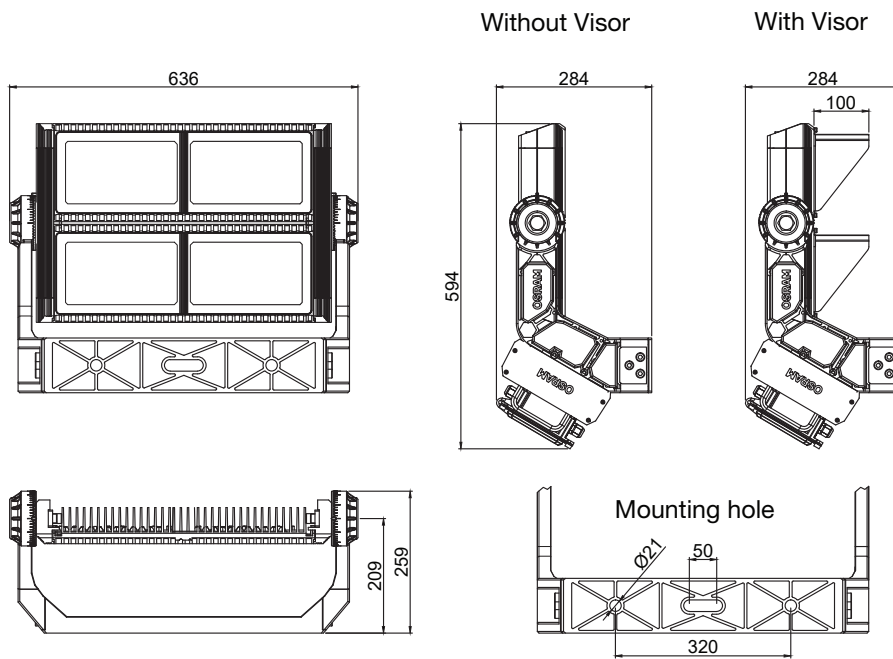
Exceeding maximum ratings for operation voltage will cause hazardous overload and will likely destroy the LED module.

Exceeding maximum ratings for operation and storage temperature will reduce expected life time or destroy the LED module.

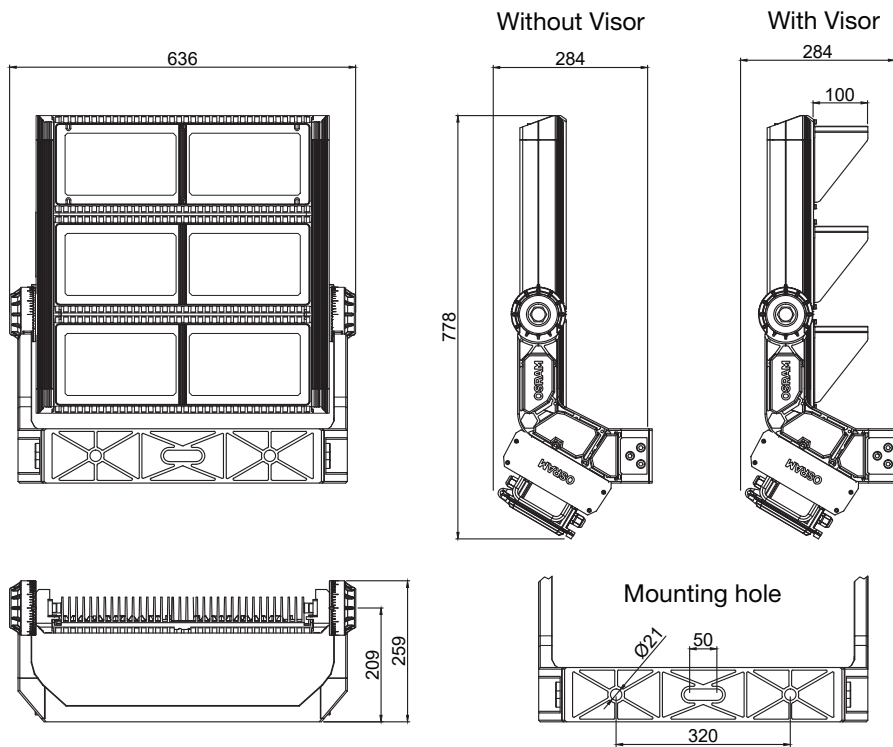
DS0129EN V1.3 12/20- Specifications are subject to change without notice. Errors and omission excepted, always make sure to use the most recent release.

PURSOS® SHP S V2 Flood Light

2 Modules dimension for 600W Symmetry and 400W Asymmetry

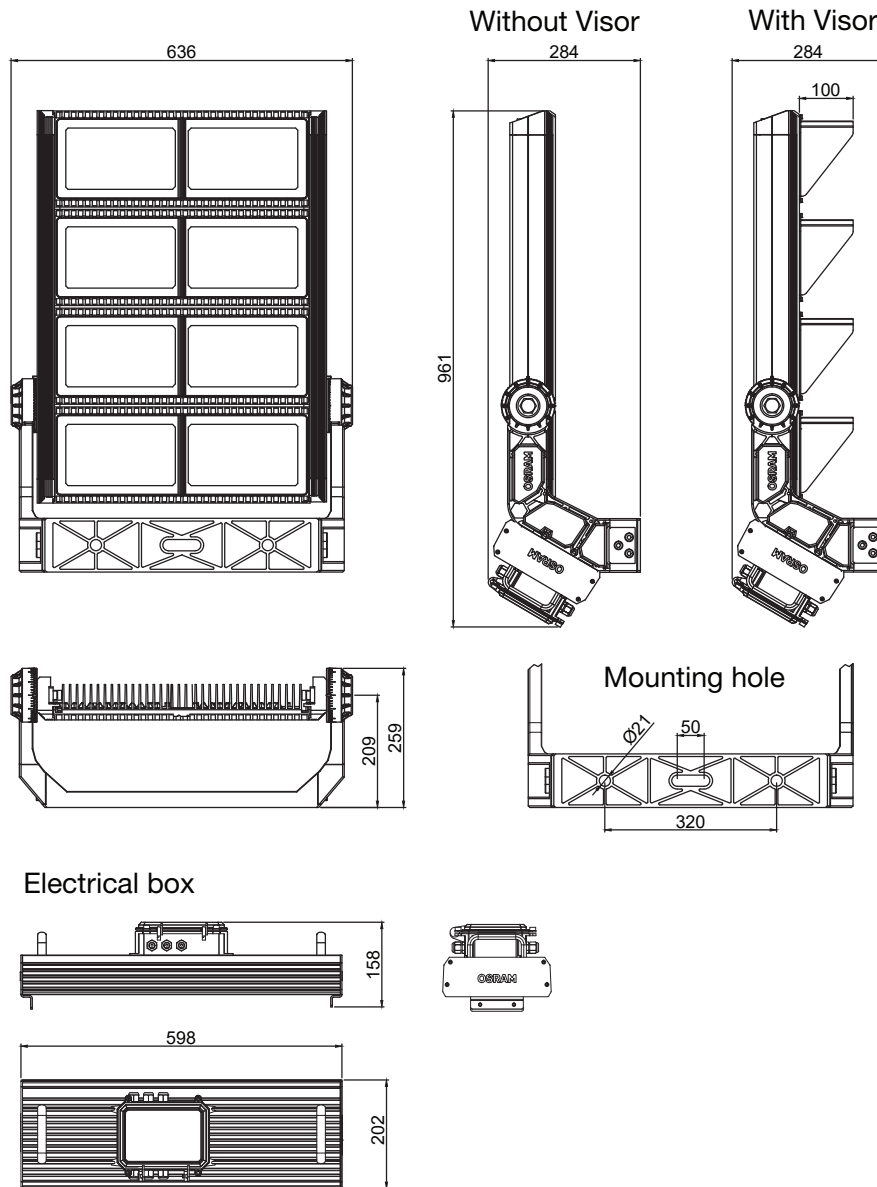


3 Modules dimension for 900W Symmetry and 600W Asymmetry



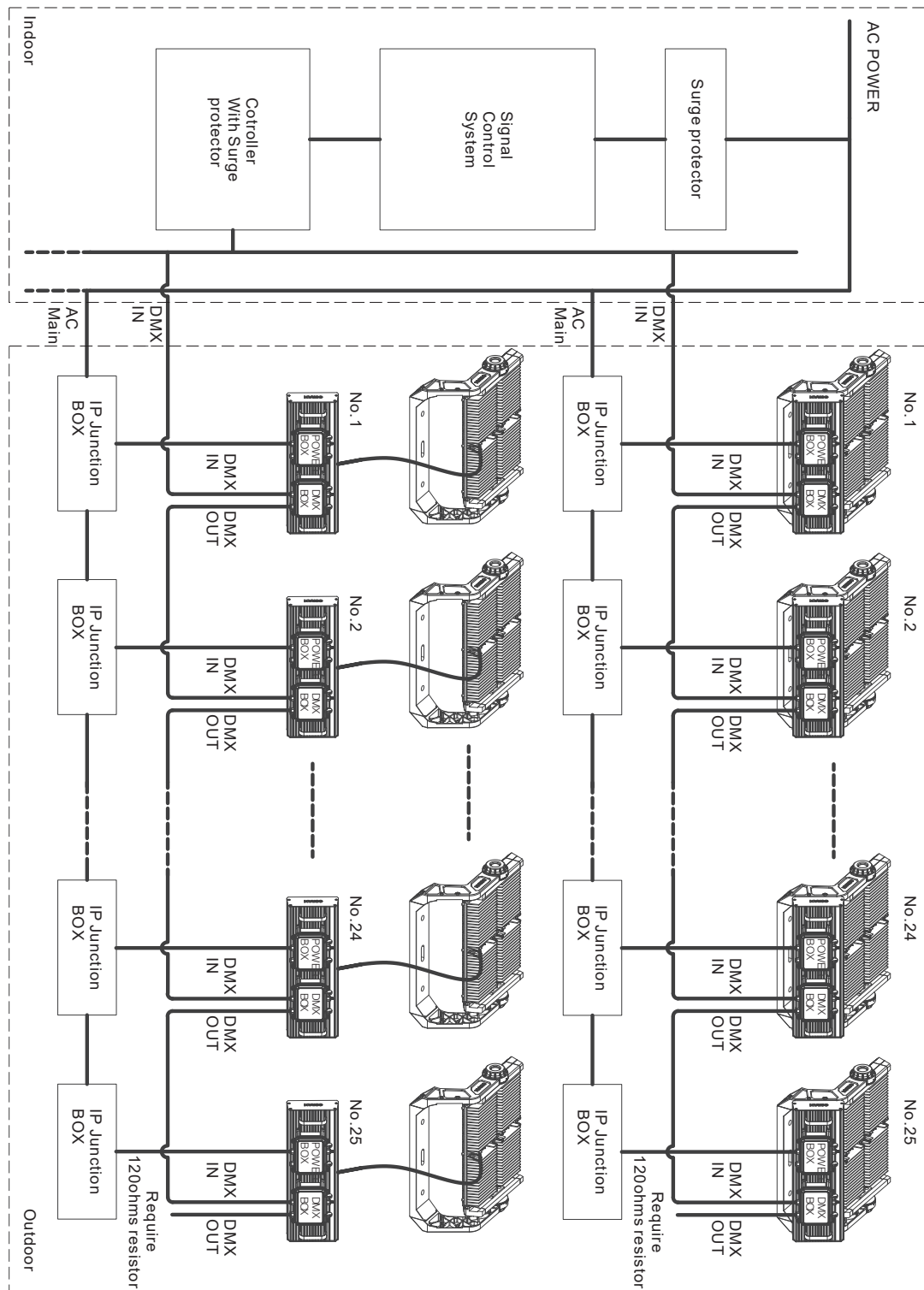
PURSOS® SHP S V2 Flood Light

4 Modules dimension for 1200W Symmetry and 800W Asymmetry



PURSOS® SHP S V2 Flood Light

DMX System Diagram



1. Fixture is RDM compatible.
2. Up to 25pcs luminaires daisy-chained in single loop.
3. Signal amplifier is recommended when the distance between controller and the first luminaire is over 80 meters.
4. Signal amplifier is recommended when the distance between adjacent luminaires is over 80 meters.
5. Suggest to use shielded twisted-pair cable as signal cable.
6. Require addressing tool and RDM for addressing the luminaires.
7. Order all the cables/signal amplifiers/IP junction boxes separately.
8. For each signal loop, require 120 ohms resistor on the last luminaire.

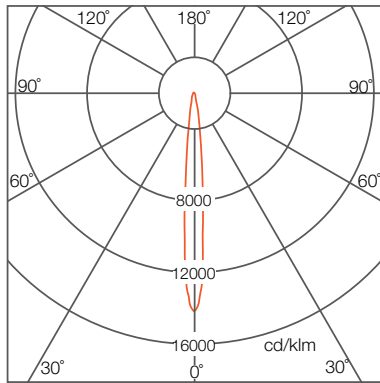
DS0129EN V1.3 12/20· Specifications are subject to change without notice. Errors and omission excepted, always make sure to use the most recent release.

PURSOS® SHP S V2 Flood Light

Photometrics

Illuminance at a distance

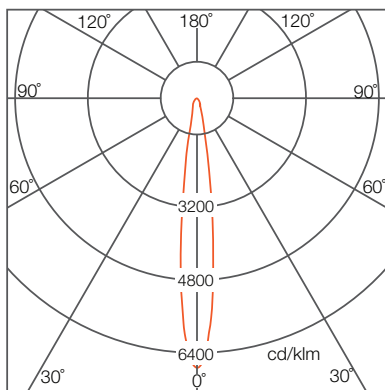
9°



	Center Beam Lux/klm	Beam Width
4.6m	671	0.75m
9.1m	168	1.50m
13.7m	75	2.26m
18.3m	42	3.01m
22.9m	27	3.76m
27.4m	19	4.51m
32.0m	14	5.26m

For feet multiply by 3.28
 Horiz.Spread: 9.4°
 For fc divide by 10.7

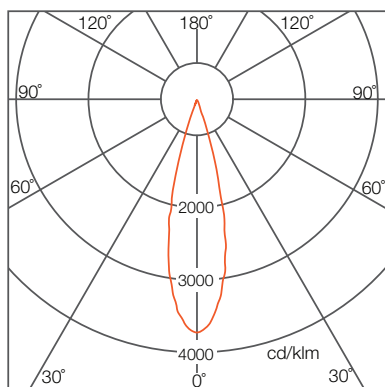
15°



	Center Beam Lux/klm	Beam Width
4.0m	413	1.08m
8.0m	103	2.16m
12.0m	46	3.24m
16.0m	26	4.33m
20.0m	17	5.41m
24.0m	11	6.49m

For feet multiply by 3.28
 Horiz.Spread: 15.4°
 For fc divide by 10.7

25°



	Center Beam Lux/klm	Beam Width
3.6m	286	1.73m
7.2m	71	3.46m
10.8m	32	5.19m
14.4m	18	6.91m
18.0m	11	8.64m

For feet multiply by 3.28
 Horiz.Spread: 27.0°
 For fc divide by 10.7

Due to the manufacturing processes of LED, the polar candela distribution and distance luminaries only reflect statistical figures and do not necessarily correspond to the actual parameters of individual product that may differ from the typical values.

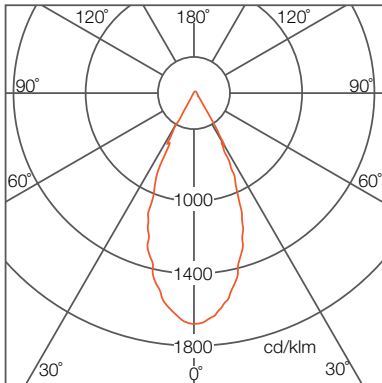
DS0129EN V1.3 12/20- Specifications are subject to change without notice. Errors and omission excepted, always make sure to use the most recent release.

PURSOS® SHP S V2 Flood Light

Photometrics

Illuminance at a distance

40°

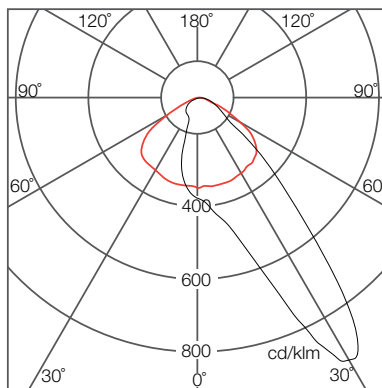


	Center Beam Lux/klm	Beam Width
3.6m	147	2.89m
7.2m	37	5.79m
10.8m	16	8.68m
14.4m	9	11.58m
18.0m	6	14.47m

For feet multiply by 3.28

● Horiz. Spread: 43.8°
For fc divide by 10.7

ASY



Due to the manufacturing processes of LED, the polar candela distribution and distance luminaries only reflect statistical figures and do not necessarily correspond to the actual parameters of individual product that may differ from the typical values.

DS0129EN V1.3 12/20- Specifications are subject to change without notice. Errors and omission excepted, always make sure to use the most recent release.

PURSOS® SHP S V2 Flood Light

Ordering Codes

Fixtures

Short Text	Power	CCT	Beam Angle	Material	EAN40
PSS SHP S V2 600W 730 9D VS1 OSRAM	600W	3000K	9°	AM389280055	4062172182010
PSS SHP S V2 600W 730 15D VS1 OSRAM	600W	3000K	15°	AM389290055	4062172182027
PSS SHP S V2 600W 730 25D VS1 OSRAM	600W	3000K	25°	AM389300055	4062172182034
PSS SHP S V2 600W 730 40D VS1 OSRAM	600W	3000K	40°	AM389310055	4062172182041
PSS SHP S V2 400W 730 ASY VS1 OSRAM	400W	3000K	ASY	AM389320055	4062172182058
PSS SHP S V2 900W 730 9D VS1 OSRAM	900W	3000K	9°	AM389330055	4062172182065
PSS SHP S V2 900W 730 15D VS1 OSRAM	900W	3000K	15°	AM389340055	4062172182072
PSS SHP S V2 900W 730 25D VS1 OSRAM	900W	3000K	25°	AM389350055	4062172182089
PSS SHP S V2 900W 730 40D VS1 OSRAM	900W	3000K	40°	AM389360055	4062172182096
PSS SHP S V2 600W 730 ASY VS1 OSRAM	600W	3000K	ASY	AM389370055	4062172182102
PSS SHP S V2 1200W 730 9D VS1 OSRAM	1200W	3000K	9°	AM389380055	4062172182119
PSS SHP S V2 1200W 730 15D VS1 OSRAM	1200W	3000K	15°	AM389390055	4062172182126
PSS SHP S V2 1200W 730 25D VS1 OSRAM	1200W	3000K	25°	AM389400055	4062172182133
PSS SHP S V2 1200W 730 40D VS1 OSRAM	1200W	3000K	40°	AM389410055	4062172182140
PSS SHP S V2 800W 730 ASY VS1 OSRAM	800W	3000K	ASY	AM389420055	4062172182157
PSS SHP S V2 600W 740 9D VS1 OSRAM	600W	4000K	9°	AM388660055	4062172181389
PSS SHP S V2 600W 740 15D VS1 OSRAM	600W	4000K	15°	AM388670055	4062172181396
PSS SHP S V2 600W 740 25D VS1 OSRAM	600W	4000K	25°	AM388680055	4062172181402
PSS SHP S V2 600W 740 40D VS1 OSRAM	600W	4000K	40°	AM388690055	4062172181419
PSS SHP S V2 400W 740 ASY VS1 OSRAM	400W	4000K	ASY	AM388710055	4062172181488
PSS SHP S V2 900W 740 9D VS1 OSRAM	900W	4000K	9°	AM388730055	4062172181495
PSS SHP S V2 900W 740 15D VS1 OSRAM	900W	4000K	15°	AM388790055	4062172181501
PSS SHP S V2 900W 740 25D VS1 OSRAM	900W	4000K	25°	AM388800055	4062172181518
PSS SHP S V2 900W 740 40D VS1 OSRAM	900W	4000K	40°	AM388810055	4062172181525
PSS SHP S V2 600W 740 ASY VS1 OSRAM	600W	4000K	ASY	AM388820055	4062172181532
PSS SHP S V2 1200W 740 9D VS1 OSRAM	1200W	4000K	9°	AM388850055	4062172181549
PSS SHP S V2 1200W 740 15D VS1 OSRAM	1200W	4000K	15°	AM388970055	4062172181556
PSS SHP S V2 1200W 740 25D VS1 OSRAM	1200W	4000K	25°	AM389010055	4062172181563
PSS SHP S V2 1200W 740 40D VS1 OSRAM	1200W	4000K	40°	AM389020055	4062172181570
PSS SHP S V2 800W 740 ASY VS1 OSRAM	800W	4000K	ASY	AM389030055	4062172181587
PSS SHP S V2 600W 757 9D VS1 OSRAM	600W	5700K	9°	AM355980055	4062172138130
PSS SHP S V2 600W 757 15D VS1 OSRAM	600W	5700K	15°	AM355990055	4062172138147
PSS SHP S V2 600W 757 25D VS1 OSRAM	600W	5700K	25°	AM356000055	4062172138154
PSS SHP S V2 600W 757 40D VS1 OSRAM	600W	5700K	40°	AM356010055	4062172138161
PSS SHP S V2 400W 757 ASY VS1 OSRAM	400W	5700K	ASY	AM356020055	4062172138178
PSS SHP S V2 900W 757 9D VS1 OSRAM	900W	5700K	9°	AM356030055	4062172138185
PSS SHP S V2 900W 757 15D VS1 OSRAM	900W	5700K	15°	AM356040055	4062172138192
PSS SHP S V2 900W 757 25D VS1 OSRAM	900W	5700K	25°	AM356050055	4062172138208
PSS SHP S V2 900W 757 40D VS1 OSRAM	900W	5700K	40°	AM356060055	4062172138215
PSS SHP S V2 600W 757 ASY VS1 OSRAM	600W	5700K	ASY	AM356070055	4062172138222
PSS SHP S V2 1200W 757 9D VS1 OSRAM	1200W	5700K	9°	AM356080055	4062172138239
PSS SHP S V2 1200W 757 15D VS1 OSRAM	1200W	5700K	15°	AM356090055	4062172138253
PSS SHP S V2 1200W 757 25D VS1 OSRAM	1200W	5700K	25°	AM356100055	4062172138260
PSS SHP S V2 1200W 757 40D VS1 OSRAM	1200W	5700K	40°	AM356110055	4062172138277
PSS SHP S V2 800W 757 ASY VS1 OSRAM	800W	5700K	ASY	AM356120055	4062172138284

PURSOS® SHP S V2 Flood Light

Ordering Codes

Fixtures (Square 757 DMX)

Short Text	Power	CCT	Beam Angle	Material	EAN40
PSS SHP S V2 600W 757 9D DMX VS1 OSRAM	600	5700K	9°	AM388450055	4062172180955
PSS SHP S V2 600W 757 15D DMX VS1 OSRAM	600	5700K	15°	AM388460055	4062172180962
PSS SHP S V2 600W 757 25D DMX VS1 OSRAM	600	5700K	25°	AM388470055	4062172180979
PSS SHP S V2 600W 757 40D DMX VS1 OSRAM	600	5700K	40°	AM388480055	4062172180986
PSS SHP S V2 400W 757 ASY DMX VS1 OSRAM	400	5700K	ASY	AM388490055	4062172180993
PSS SHP S V2 900W 757 9D DMX VS1 OSRAM	900	5700K	9°	AM388500055	4062172181006
PSS SHP S V2 900W 757 15D DMX VS1 OSRAM	900	5700K	15°	AM388510055	4062172181013
PSS SHP S V2 900W 757 25D DMX VS1 OSRAM	900	5700K	25°	AM388520055	4062172181020
PSS SHP S V2 900W 757 40D DMX VS1 OSRAM	900	5700K	40°	AM388530055	4062172181037
PSS SHP S V2 600W 757 ASY DMX VS1 OSRAM	600	5700K	ASY	AM388540055	4062172181044
PSS SHP S V2 1200W 757 9D DMX VS1 OSRAM	1200	5700K	9°	AM388550055	4062172181051
PSS SHP S V2 1200W 757 15D DMX VS1 OSRAM	1200	5700K	15°	AM388560055	4062172181068
PSS SHP S V2 1200W 757 25D DMX VS1 OSRAM	1200	5700K	25°	AM388570055	4062172181075
PSS SHP S V2 1200W 757 40D DMX VS1 OSRAM	1200	5700K	40°	AM388580055	4062172181082
PSS SHP S V2 800W 757 ASY DMX VS1 OSRAM	800	5700K	ASY	AM388590055	4062172181099

Accessories

Short Text	Power	CCT	Beam Angle	Material	EAN40
PSS SHP S V2 VISOR	NA	NA	NA	AM391410055	4062172187596
PSS SHP S V2 SAFETYROPE	NA	NA	NA	AM391420055	4062172187619
PSS SHP V2 EXTENSION CORD 15M	NA	NA	NA	AM391450055	4062172187640
PSS SHP V2 EXTENSION CORD 20M	NA	NA	NA	AM391440055	4062172187633
PSS SHP V2 EXTENSION CORD 35M	NA	NA	NA	AM391430055	4062172187626