

PURSOS® SHP V3 Flood Light-General Datasheet



PURSOS® SHP V3 Flood Light General Edition is a cost-effective high-performance solution for area lighting, such as sports parks, road cross area, harbor and apron, etc. A well-designed forged pure aluminum heatsink offers a better heat dissipation efficiency. The integrated electrical gear box design makes the weight lighter and the size more compact without comprising on the efficiency with up to 9 types of light distribution. PURSOS® SHP V3 Flood Light general edition is the best alternative to the traditional 400W, 600W, 1000W metal halide and halogen flood lights.

Benefits

- Compact size, high cost performance
- Smallest size and lightest weight
- Ultra-high efficiency, Choice for CRI 70, CRI 80
- Nearly flicker free
- Visors for glare control
- Variety lighting distribution, flexible choice

High reliability

- Lumen maintenance L70-80000 hours @Ta30°C
- Robust aluminum body
- High protection level IP66 & IK08
- Independent surge protector
- Operating temperature: -40°C to +50°C

Applications

- Sport entertainment venues (Sport park, school stadium)
- Training field (Basketball, Football, Hockey, Tennis)
- Street lighting (High mast lighting, cross lighting)
- Apron lighting
- Harbor lighting
- Multi-purpose area (MUGA)

PURSOS® SHP V3 Flood Light-General

Technical Data

Optical Specifications

Size		1 Module		2 Modules	
Power		400W	500W	800W	1000W
Luminous Flux @5700K (+/-5%)	CRI 70	58000 lm	72500 lm	116000 lm	145000 lm
	CRI 80	50000 lm	62500 lm	100000 lm	125000 lm
Efficacy @5700K	CRI 70	Up to 150 lm/W			
	CRI 80	Up to 135 lm/W			
CCT		5700K, Other on request			
CRI		CRI 70, CRI 80			
SDCM		5 SDCM			
Beam Angle		UNB, NB, MB, UWB, ASY			

Electrical and Mechanical Specifications

Input Voltage	220-240V~ 50/60Hz			
Power Consumption (+/-10%)	400W	500W	800W	1000W
Power Factor	>0.95			
Total Harmonic Distortion	≤8%			
FF factor	≤3%			
Surge protection	Independent surge protection device, Line-to-line 10KV, line-to-ground 10KV			
Dimensions	475*300*307mm		475*562*357mm	
Weight	14Kg		24.5Kg	
Optical	PC, Polycarbonate			
Housing	Forged 1070 Aluminum			
Color	RAL 9005			

System Specifications

Main input	AC power, 220-240V AC 50/60Hz
Dimmable	On/Off, DALI and 0-10V dimming on request
Mounting Type	Bracket installation, suitable for installation on the ground, wall, high mast and other solid plane
Operating Temperature	Outdoor: -40°C to +50°C
Storage Temperature	-40°C to +80°C
Environment	IP66 / IK08, suitable for outdoor and indoor applications
Lumen Maintenance	L70-80000 hours @30°C
Warranty	5 Years (Standard)
Safety Approval	Electrical Protection Class I, CQC, CB, ENEC, CE (for 5700K)

Due to the special conditions of manufacturing process of LED, the typical data of technical parameters can only reflect statistical figures and do not necessarily correspond to the actual parameters of each single product which could differ from typical data.

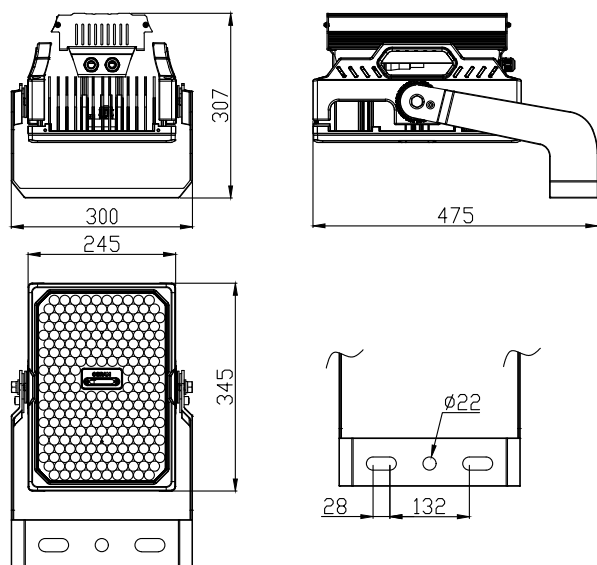
Exceeding maximum ratings for operation voltage will cause hazardous overload and will likely destroy the LED module.

Exceeding maximum ratings for operation and storage temperature will reduce expected life time or destroy the LED module.

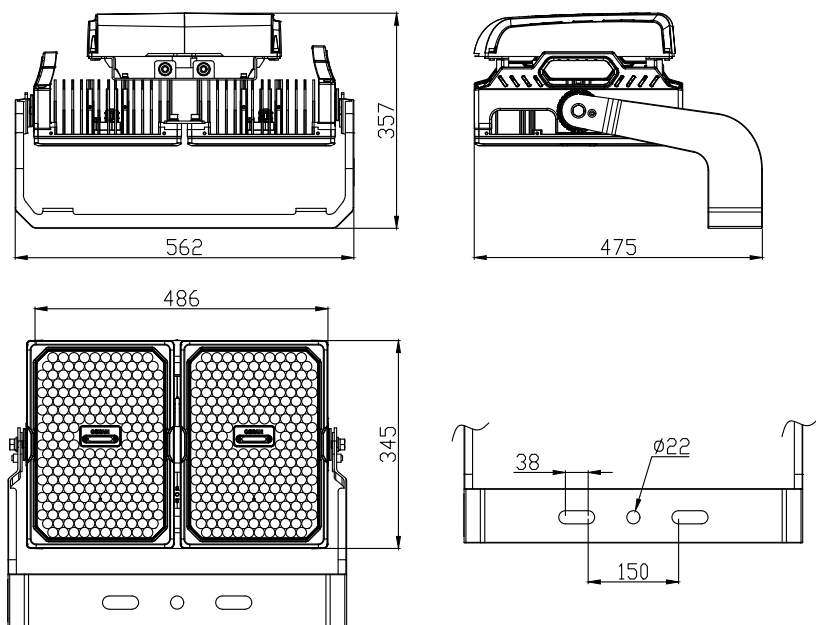
V1.0 09/21· Specifications are subject to change without notice. Errors and omission excepted, always make sure to use the most recent release.

PURSOS® SHP V3 Flood Light-General

Dimension for 400W / 500W (Unit: mm)



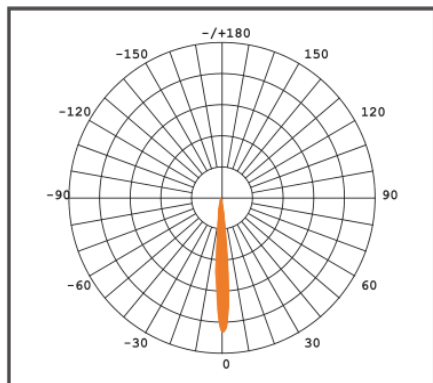
Dimension for 800W / 1000W (Unit: mm)



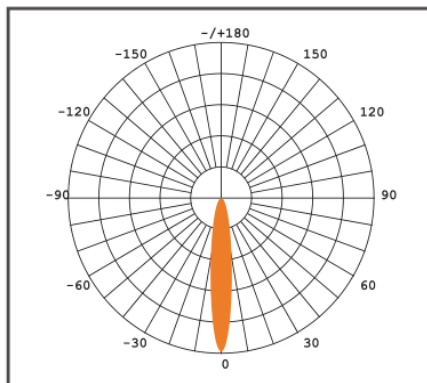
PURSOS® SHP V3 Flood Light-General

Photometrics

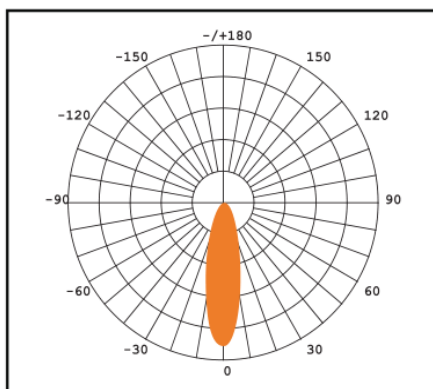
UNB (9°)



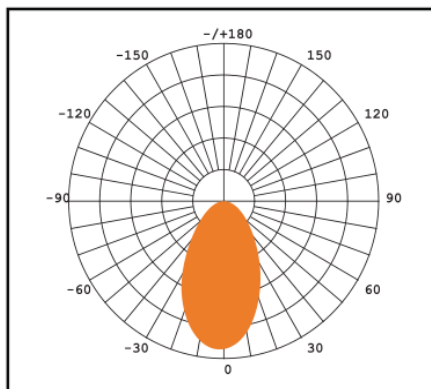
NB (15°)



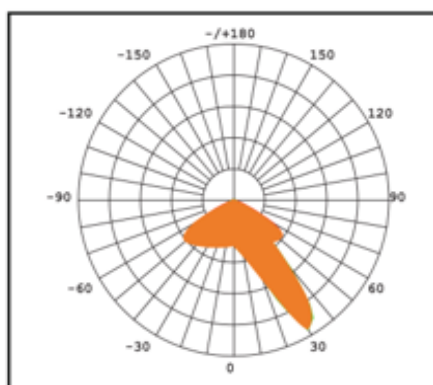
MB (30°)



UWB (60°)



ASY



Due to the manufacturing processes of LED, the polar candela distribution and distance luminaries only reflect statistical figures and do not necessarily correspond to the actual parameters of individual product that may differ from the typical values.

V1.0 09/21· Specifications are subject to change without notice. Errors and omission excepted, always make sure to use the most recent release.

PURSOS® SHP V3 Flood Light-General

Ordering Codes

Fixtures

Short Text	Power	CCT	CRI	Material	EAN40
PSS SHP V3 G 400W 757 UNB VS1 OSRAM	400	5700	70	AM427450055	4062172240147
PSS SHP V3 G 400W 757 NB VS1 OSRAM	400	5700	70	AM427460055	4062172240154
PSS SHP V3 G 400W 757 MB VS1 OSRAM	400	5700	70	AM427470055	4062172240161
PSS SHP V3 G 400W 757 UWB VS1 OSRAM	400	5700	70	AM427480055	4062172240178
PSS SHP V3 G 400W 757 ASY VS1 OSRAM	400	5700	70	AM427490055	4062172240185
PSS SHP V3 G 400W 857 UNB VS1 OSRAM	400	5700	80	AM427500055	4062172240192
PSS SHP V3 G 400W 857 NB VS1 OSRAM	400	5700	80	AM427510055	4062172240208
PSS SHP V3 G 400W 857 MB VS1 OSRAM	400	5700	80	AM427520055	4062172240215
PSS SHP V3 G 400W 857 UWB VS1 OSRAM	400	5700	80	AM427530055	4062172240222
PSS SHP V3 G 400W 857 ASY VS1 OSRAM	400	5700	80	AM427540055	4062172240239
PSS SHP V3 G 500W 757 UNB VS1 OSRAM	500	5700	70	AM427550055	4062172240246
PSS SHP V3 G 500W 757 NB VS1 OSRAM	500	5700	70	AM427560055	4062172240253
PSS SHP V3 G 500W 757 MB VS1 OSRAM	500	5700	70	AM427570055	4062172240260
PSS SHP V3 G 500W 757 UWB VS1 OSRAM	500	5700	70	AM427580055	4062172240277
PSS SHP V3 G 500W 757 ASY VS1 OSRAM	500	5700	70	AM427590055	4062172240284
PSS SHP V3 G 500W 857 UNB VS1 OSRAM	500	5700	80	AM427600055	4062172240291
PSS SHP V3 G 500W 857 NB VS1 OSRAM	500	5700	80	AM427610055	4062172240307
PSS SHP V3 G 500W 857 MB VS1 OSRAM	500	5700	80	AM427620055	4062172240314
PSS SHP V3 G 500W 857 UWB VS1 OSRAM	500	5700	80	AM427630055	4062172240321
PSS SHP V3 G 500W 857 ASY VS1 OSRAM	500	5700	80	AM427640055	4062172240338
PSS SHP V3 G 800W 757 UNB VS1 OSRAM	800	5700	70	AM427650055	4062172240345
PSS SHP V3 G 800W 757 NB VS1 OSRAM	800	5700	70	AM427660055	4062172240352
PSS SHP V3 G 800W 757 MB VS1 OSRAM	800	5700	70	AM427670055	4062172240369
PSS SHP V3 G 800W 757 UWB VS1 OSRAM	800	5700	70	AM427680055	4062172240376
PSS SHP V3 G 800W 757 ASY VS1 OSRAM	800	5700	70	AM427690055	4062172240383
PSS SHP V3 G 800W 857 UNB VS1 OSRAM	800	5700	80	AM427700055	4062172240390
PSS SHP V3 G 800W 857 NB VS1 OSRAM	800	5700	80	AM427710055	4062172240406
PSS SHP V3 G 800W 857 MB VS1 OSRAM	800	5700	80	AM427720055	4062172240413
PSS SHP V3 G 800W 857 UWB VS1 OSRAM	800	5700	80	AM427730055	4062172240420
PSS SHP V3 G 800W 857 ASY VS1 OSRAM	800	5700	80	AM427740055	4062172240437
PSS SHP V3 G 1000W 757 UNB VS1 OSRAM	1000	5700	70	AM427750055	4062172240444
PSS SHP V3 G 1000W 757 NB VS1 OSRAM	1000	5700	70	AM427760055	4062172240451
PSS SHP V3 G 1000W 757 MB VS1 OSRAM	1000	5700	70	AM427770055	4062172240468
PSS SHP V3 G 1000W 757 UWB VS1 OSRAM	1000	5700	70	AM427780055	4062172240475
PSS SHP V3 G 1000W 757 ASY VS1 OSRAM	1000	5700	70	AM427790055	4062172240482
PSS SHP V3 G 1000W 857 UNB VS1 OSRAM	1000	5700	80	AM427800055	4062172240499
PSS SHP V3 G 1000W 857 NB VS1 OSRAM	1000	5700	80	AM427810055	4062172240505
PSS SHP V3 G 1000W 857 MB VS1 OSRAM	1000	5700	80	AM427820055	4062172240512
PSS SHP V3 G 1000W 857 UWB VS1 OSRAM	1000	5700	80	AM427830055	4062172240529
PSS SHP V3 G 1000W 857 ASY VS1 OSRAM	1000	5700	80	AM427840055	4062172240536

Accessories

Short Text	Material	EAN40
PSS SHP V3 VISOR 1000W ACC VS4 OSRAM	AM428310055	4062172242035