

DALI2 Push-Button Coupler Instructions



Highlights

- DALI-2 control device that integrates existing push switches into DALI system
- 4 x DALI-2 push button instances are available for an easy integration
- In compliance with IEC62386-101, IEC62386-103, IEC62386-301
- Suitable for integration and in combination with DALI-2 compliant central control units
- Multimaster capable, multiple modules can be installed on the DALI line
- DALI bus powered, no extra power supply required
- Easy installation: the device can be installed in a flush-mounted installation box

Delivery scope

Identcode

- e:cue DALI2 Push-Button Coupler AM466330055
- Safety instructions
- Instructions

Optional accessories

- SYMPL dali Node AB444230035

Product specifications

Dimensions (W x H x D)	49.8 x 43 x 15.1 mm / 1.96 x 1.69 x 0.59 in
Weight	40 g
Mounting	back box installation, installation in protection class II devices
Max. casing temperature T _c	75 °C
Expected life time @T _c	50,000 H
Protection class	II in Intended Use
Protection degree housing	IP20
Protection degree terminals	IP20
Certificates	CE, DALI-2, UKCA, RoHS, FCC

DALI interface

Output type	DALI-2, Multimaster
Marking	DA, DA
Voltage range	9.5 V DC - 22.5 V DC (according IEC62368-101)
Typ. current consumption DALI (at 16.5 V)	2.7 mA
Max. current consumption DALI (Inrush current at 22.5 V)	10 mA
DALI addresses	None
DALI-2 addresses	1

Input interfaces

Input for	Potential free button/switch
Number of inputs	4
Marking input terminals	K1, K2, K3, K4, COM
Max wire length	200 m

Terminals

Connection type	Spring terminal connectors
-----------------	----------------------------

Wire size solid core	0.2 ... 1.5 mm ² (AWG 28 ... AWG 14)
Wire size fine core	0.2 ... 1.5 mm ² (AWG 28 ... AWG 14)
Wire size using wire end ferrule	0.25 ... 1.0 mm ²
Stripping length	9 ... 10 mm / 0.35 ... 0.39 inch
Tightening / release of wire	Push mechanism

Environment conditions

Storing temperature	-20 ... +50 °C / -4 ... 122 °F
Working ambient temperature	-20 ... +50 °C / -4 ... 122 °F
Relative humidity	8 ... 80 %



Safety & Warnings

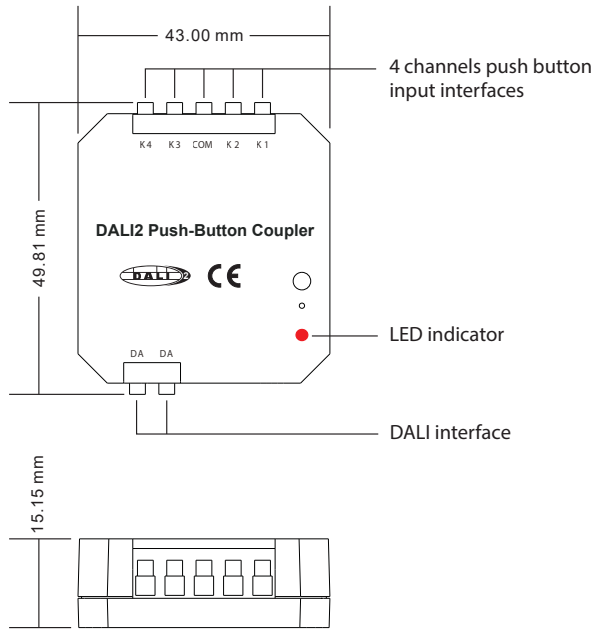


- Do not install with power applied to device.
- Do not expose the device to moisture.
- Read the instructions prior to installation.



For further product information and downloads see www.ecue.com.

Dimensions



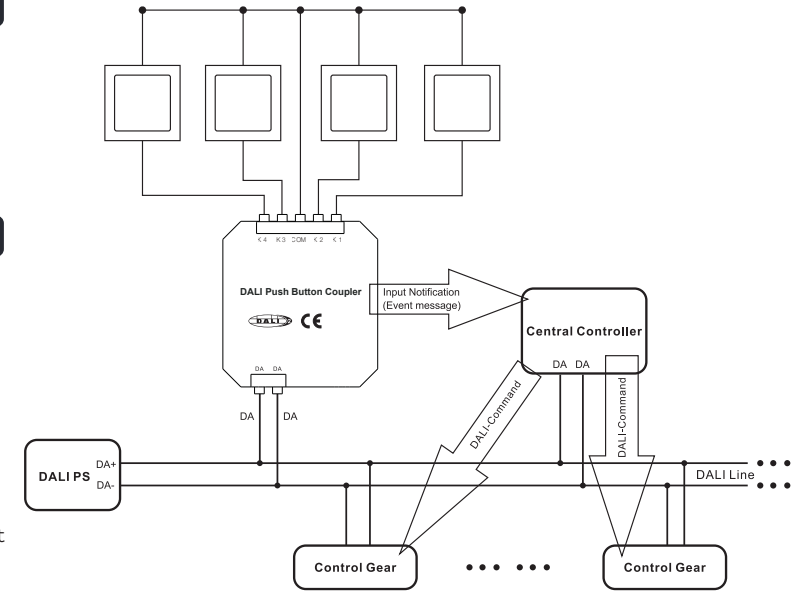
LED behavior

Off	No voltage applied
On	Voltage applied
Flickering	DALI traffic
Blinking regularly	Identify command

Application & Function

Integration in a system with DALI-2 compliant central control unit, button pushes result in input notifications (event messages).

The SYMPHO DALI2 Push-Button Coupler can be used as an input device for the integration in DALI-2 compliant central lighting control systems. In this operating mode, no DALI control commands are sent on the bus, but DALI-2 event messages for DALI-2 compatible central control systems. In this mode each input ("instance") informs about changes by using so called "input notifications". These event-messages can be evaluated by other controllers on the DALI line e.g. as trigger for commands sent to luminaires.



The SYMPHO DALI2 Push-Button Coupler supports 4 instances (1 - 4) of type 1 (IEC62386-301, Input Devices - Push Button) which are assigned to the 4 button inputs.

According to the standard the following input notifications are supported:

Event Name	Event Information	Description
Button released	00 0000 0000b	The button is released.
Button pressed	00 0000 0001b	The button is pressed.
Short press	00 0000 0010b	The button is pressed and released, without being pressed quickly again (in case of double press enabled), or the button is pressed and quickly released (in case of double press is disabled).
Double press	00 0000 0101b	The button is pressed and released, quickly followed by another button press.
Long press start	00 0000 1001b	The button is pressed without releasing it.
Long press repeat	00 0000 1011b	Following a long press start condition the button is still pressed, the event occurs at regular intervals as long as the condition holds.
Long press stop	00 0000 1100b	Following a long press start condition, the button is released.
Button free	00 0000 1110b	The button has been stuck and is now released.
Button stuck	00 0000 1111b	The button has been pressed for a very long time and is assumed stuck.

Further parameters of the instances 1-4 are: event filter, event timer settings (short timer, double timer, repeat timer, stuck timer), which can be configured according to IEC62386-301.

Installation

