

Simplitz® Downlight V2

Datasheet



Simplitz® Downlight V2 is the economic downlight solution for public areas with simple appearance design and rigid metal sheet body. Up to 120lm/W high efficacy and long lifetime 50,000hrs reduce TCO for projects of indoor applications. The deep recessed structure and imported diffuser brings good glare control and high uniformity.

Benefits

Nice ID with stable quality

- Integrated design with built-in driver
- High-end finish to present better texture
- Metal sheet body
- 50,000hrs lifetime

Good lighting experience with high performance

- Imported diffuser offers good uniformity
- Recessed structure design brings good glare control
- Without flicker
- Up to 120lm/W

Easy to install

- Bigger frame to cover bigger cut-out in retrofit projectst
- 120mm pre-wire

Whole range for all applications

- 4"/5"/6"/8'
- 5 powers from 8W-27.5W
- 3000K/4000K/6500K

Applications

- Lobby and Corridor
- Office
- Commercial building
- Shopping mall

Simplitz® Downlight V2

Technical Data

Optical Specifications

		8W	11W	14.5W	20W	27.5W
Luminous Flux	@4000K	800 lm	1200 lm	1600 lm	2300 lm	3200 lm
Efficacy	@4000K	100 lm/W	110 lm/W	115 lm/W	120 lm/W	120 lm/W
CCT		3000K/4000K/6500K				
CRI		RA \geq 80, R9>0				
SDCM		\leq 5				
Beam Angle		95°	100°	100°	100°	100°

Electrical and Mechanical Specifications

Input Voltage	220-240V AC				
Power Consumption	8W	11W	14.5W	20W	27.5W
Power Factor	>0.9				
Surge Protection	L-N 1KV, L/N-G 2KV				
Dimensions (mm)	ϕ 125×76	ϕ 153×81	ϕ 178×100	ϕ 220×109	ϕ 220×109
Weight	195g	235g	366g	357g	357g
Cover Lens	PC				
THD	20%				
Luminaire Body	SPCC				
Cut-out Size (mm)	100-110	125-135	150-160	190-200	190-200

System Specifications

Power	AC line
Control	ON/OFF only
Mounting	Recessed mounting
Operating Temperature	-20°C to +40°C
Storage Temperature	-30°C to +80°C
Environment	Indoor (IP20)
Lumen Maintenance	L70@25°C - 50,000hrs
Safety Approval	Electrical Protection Class I, CB, CCC

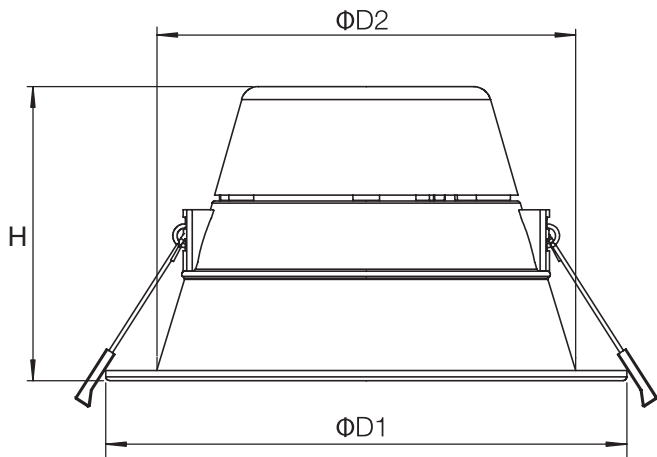
Due to the special conditions of manufacturing process of LED, the typical data of technical parameters can only reflect statistical figures and do not necessarily correspond to the actual parameters of each single product which could differ from typical data.

Exceeding maximum ratings for operation voltage will cause hazardous overload and will likely destroy the LED module.

Exceeding maximum ratings for operation and storage temperature will reduce expected life time or destroy the LED module.

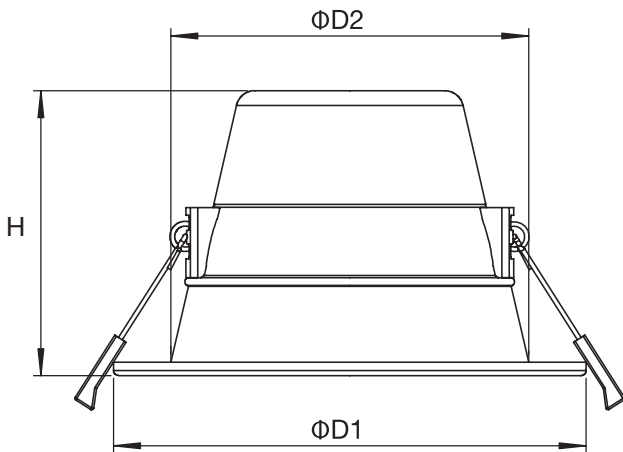
Simplitz® Downlight V2

Dimensions



Dimensions

	SIM DL V2 6"	SIM DL V2 8"
D1	178mm	220mm
D2	145mm	183mm
H	100mm	109mm



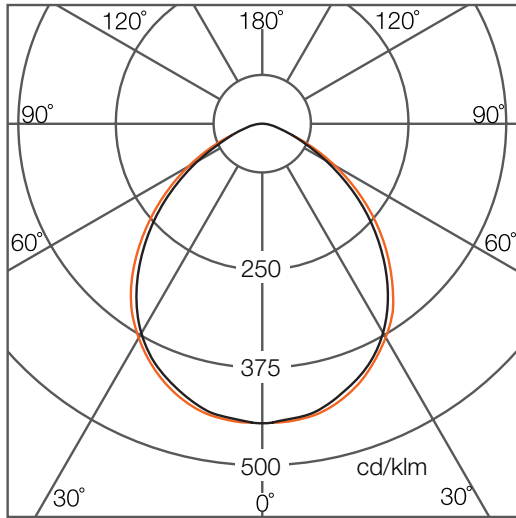
Dimensions

	SIM DL V2 4"	SIM DL V2 5"
D1	125mm	153mm
D2	97mm	123mm
H	76mm	81mm

Simplitz® Downlight V2

Photometrics

Light Distribution Curve



Illuminance at a distance

	Center Beam Lux/klmB	Beam Width	
		V	H
0.5m	1815	1.08m	1.15m
1m	454	2.15m	2.29m
1.5m	202	3.23m	3.44m
2m	113	4.30m	4.59m
2.5m	73	5.38m	5.73m
3m	50	6.46m	6.88m

● Vert.Spread: 94.2°
 ● Horiz.Spread: 97.8°
 For fc divide by 10.7

For feet multiply by 3.28

Due to the manufacturing processes of LED, the polar candela distribution and distance luminaries only reflect statistical figures and do not necessarily correspond to the actual parameters of individual product that may differ from the typical values.

Simplitz® Downlight V2

Ordering Codes

Fixture

Short Text	Power	CCT	Material	EAN10	EAN40
SIM DL 408 830 V2 36X1 OSRAM	8W	3000K/4000K/6500K	AM286230055	4062172052153	4062172052160
SIM DL 408 840 V2 36X1 OSRAM	8W	3000K/4000K/6500K	AM286240055	4062172052177	4062172052184
SIM DL 408 865 V2 36X1 OSRAM	8W	3000K/4000K/6500K	AM286250055	4062172052191	4062172052207
SIM DL 511 830 V2 36X1 OSRAM	11W	3000K/4000K/6500K	AM286260055	4062172052214	4062172052221
SIM DL 511 840 V2 36X1 OSRAM	11W	3000K/4000K/6500K	AM286270055	4062172052238	4062172052245
SIM DL 511 865 V2 36X1 OSRAM	11W	3000K/4000K/6500K	AM286280055	4062172052252	4062172052269
SIM DL 615 830 V2 24X1 OSRAM	14.5W	3000K/4000K/6500K	AM286290055	4062172052276	4062172052283
SIM DL 615 840 V2 24X1 OSRAM	14.5W	3000K/4000K/6500K	AM286300055	4062172052290	4062172052306
SIM DL 615 865 V2 24X1 OSRAM	14.5W	3000K/4000K/6500K	AM286310055	4062172052313	4062172052320
SIM DL 820 830 V2 16X1 OSRAM	20W	3000K/4000K/6500K	AM286320055	4062172052337	4062172052344
SIM DL 820 840 V2 16X1 OSRAM	20W	3000K/4000K/6500K	AM286330055	4062172052351	4062172052368
SIM DL 820 865 V2 16X1 OSRAM	20W	3000K/4000K/6500K	AM286340055	4062172052375	4062172052382
SIM DL 828 830 V2 16X1 OSRAM	27.5W	3000K/4000K/6500K	AM286350055	4062172052399	4062172052405
SIM DL 828 840 V2 16X1 OSRAM	27.5W	3000K/4000K/6500K	AM286360055	4062172052412	4062172052429
SIM DL 828 865 V2 16X1 OSRAM	27.5W	3000K/4000K/6500K	AM286370055	4062172052436	4062172052443