



Product Highlights:

- Integrated design with built-in driver
- Up to 120lm/W
- 4"/5"/6"/8" sizes with 5 power from 8W - 27.5W
- 50,000hrs lifetime
- 120mm pre-wire

Light is simple

Simplitz® Downlight V2

A economic downlight solution for large space illumination.

Light is OSRAM

Simplitz® Downlight V2



Simplitz® Downlight V2 is the economic downlight solution for public areas with simple appearance design and rigid metal sheet body. Up to 120lm/W high efficacy and long lifetime 50,000hrs reduce TCO for projects of indoor applications. The deep recessed structure and imported diffuser brings good glare control and high uniformity.

Advantages & Benefits

Nice ID with stable quality

- Integrated design with built-in driver
- High-end finish to present better texture
- Metal sheet body
- 50,000hrs lifetime

Good lighting experience with high performance

- Imported diffuser offers good uniformity
- Recessed structure design brings good glare control
- Without flicker
- Up to 120lm/W

Easy to install

- Bigger frame to cover bigger cut-out in retrofit projects
- 120mm pre-wire

Whole range for all applications

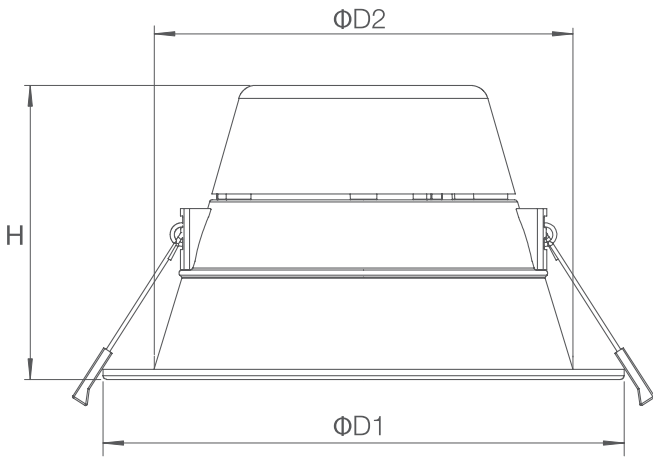
- 4''/5''/6''/8''
- 5 powers from 8W~27.5W
- 3000K/4000K/6500K

Applications

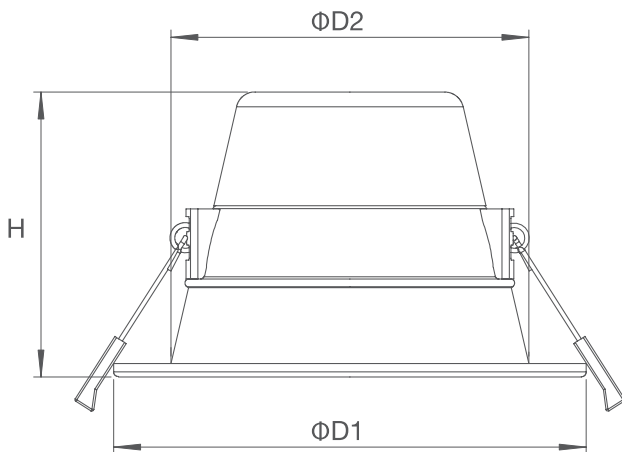
- Lobby and Corridor
- Office
- Commercial building
- Shopping mall

Simplitz® Downlight V2

Dimensions

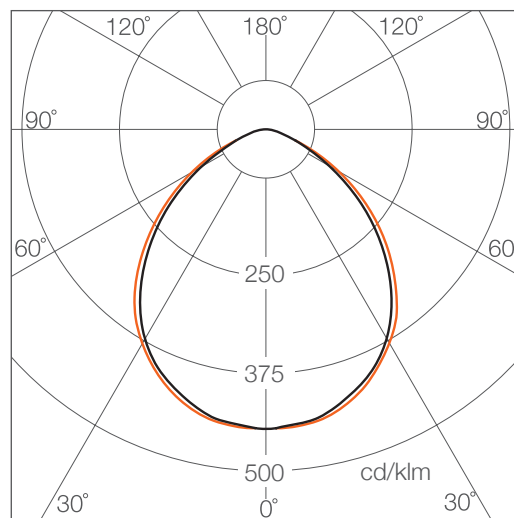


	SIM DL V2 6"	SIM DL V2 8"
D1	178mm	220mm
D2	145mm	183mm
H	100mm	109mm



	SIM DL V2 4"	SIM DL V2 5"
D1	125mm	153mm
D2	97mm	123mm
H	76mm	81mm

Photometrics



Simplitz® Downlight V2

Product Reference	Ordering Code (EAN40)		V	W	Hz		K	lm			
SIM DL 408 830 V2 36X1 OSRAM	4062172052160	Warm White / Neutral White / Cold White	220-240	8	50/60	95	3000 / 4000 / 6500	800	125	76	36
SIM DL 408 840 V2 36X1 OSRAM	4062172052184	Warm White / Neutral White / Cold White	220-240	8	50/60	95	3000 / 4000 / 6500	800	125	76	36
SIM DL 408 865 V2 36X1 OSRAM	4062172052207	Warm White / Neutral White / Cold White	220-240	8	50/60	95	3000 / 4000 / 6500	800	125	76	36
SIM DL 511 830 V2 36X1 OSRAM	4062172052221	Warm White / Neutral White / Cold White	220-240	11	50/60	100	3000 / 4000 / 6500	1200	153	81	36
SIM DL 511 840 V2 36X1 OSRAM	4062172052245	Warm White / Neutral White / Cold White	220-240	11	50/60	100	3000 / 4000 / 6500	1200	153	81	36
SIM DL 511 865 V2 36X1 OSRAM	4062172052269	Warm White / Neutral White / Cold White	220-240	11	50/60	100	3000 / 4000 / 6500	1200	153	81	36
SIM DL 615 830 V2 24X1 OSRAM	4062172052283	Warm White / Neutral White / Cold White	220-240	14.5	50/60	100	3000 / 4000 / 6500	1600	178	100	24
SIM DL 615 840 V2 24X1 OSRAM	4062172052306	Warm White / Neutral White / Cold White	220-240	14.5	50/60	100	3000 / 4000 / 6500	1600	178	100	24
SIM DL 615 865 V2 24X1 OSRAM	4062172052320	Warm White / Neutral White / Cold White	220-240	14.5	50/60	100	3000 / 4000 / 6500	1600	178	100	24
SIM DL 820 830 V2 16X1 OSRAM	4062172052344	Warm White / Neutral White / Cold White	220-240	20	50/60	100	3000 / 4000 / 6500	2300	220	109	16
SIM DL 820 840 V2 16X1 OSRAM	4062172052368	Warm White / Neutral White / Cold White	220-240	20	50/60	100	3000 / 4000 / 6500	2300	220	109	16
SIM DL 820 865 V2 16X1 OSRAM	4062172052382	Warm White / Neutral White / Cold White	220-240	20	50/60	100	3000 / 4000 / 6500	2300	220	109	16
SIM DL 828 830 V2 16X1 OSRAM	4062172052405	Warm White / Neutral White / Cold White	220-240	27.5	50/60	100	3000 / 4000 / 6500	3200	220	109	16
SIM DL 828 840 V2 16X1 OSRAM	4062172052429	Warm White / Neutral White / Cold White	220-240	27.5	50/60	100	3000 / 4000 / 6500	3200	220	109	16
SIM DL 828 865 V2 16X1 OSRAM	4062172052443	Warm White / Neutral White / Cold White	220-240	27.5	50/60	100	3000 / 4000 / 6500	3200	220	109	16

Technical data subject to variation and change without notice.

OSRAM copyrights reserved 2019. Subject to change without notice. Errors and omission excepted.
All images used are for illustrative purposes only and not intended to reflect actual product performance.

Traxon e:cue

Sales enquiry: Traxon.ecue.newsletter@osram.com

www.traxontechnologies.com

