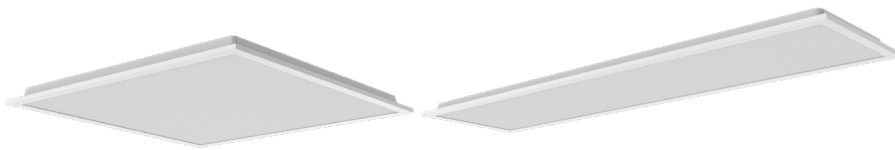


## Simplitz® Louver V2

### Datasheet



Simplitz® Louver V2 is the perfect back-lit LED lighting solution for office areas and assortment of public buildings. The optimized optical design ensures high uniformity and good glare control with the efficacy up to 125lm/W. It perfectly fits a variety of applications to provide quality general lighting that enhances sense of well-being.

#### Benefits

- Simple shape with stable quality
- Strong frame with extrusion aluminum
- Simple design with height of 35mm

#### Outstanding light performance

- Without flicker, Low glare
- UGR<19
- Up to 125 lm/W
- 50,000hrs lumen maintenance - L70@25°C

#### Whole range for all applications

- Size 2ft x 2ft, 4ft x 1ft
- Control: ON&OFF, DALI
- CCT 4000K/5700K/6500K
- Recessed, suspended, integrated ceiling and PCV mounting

#### Applications

- Offices
- Metro stations
- Banks
- Public areas

# Simplitz® Louver V2

## Technical Data

### Optical Specifications

	2ft x 2ft	4ft x 1ft	2ft x 2ft	4ft x 1ft
	32W	32W	32W	32W
Luminous Flux @4000K	4000lm	4000lm	4160lm	4160lm
Efficacy @4000K	125 lm/W	125 lm/W	130 lm/W	130 lm/W
CCT	4000K, 5700K, 6500K			
CRI	>80			
SDCM	<5			
UGR	<19	<19	<22	<22
Beam Angle	90°	90°	110°	110°

### Electrical and Mechanical Specifications

Input Voltage	220-240V AC 50/60Hz				
Power Consumption	32W	32W	32W	32W	
Power Factor	>0.9				
Surge Protection	Line to line 1KV				
Dimensions (mm) (Recessed / Suspended)	Length	597	1197	597	1197
	Width	597	297	597	297
	Height	35	35	35	35
Dimensions (mm) (Integrated ceiling)	Length	600	1200	/	/
	Width	600	300	/	/
	Height	35	35	/	/
Weight (kg) @ON/OFF	1.80	1.96	1.54	1.70	
Weight (kg) @DALI	1.86	2.02	/	/	
Cover Lens	PMMA				
Housing	Aluminum				

### System Specifications

Power	220-240V AC 50/60Hz			
Control	ON/OFF, DALI	ON/OFF, DALI	ON/OFF	ON/OFF
Mounting	Recessed, suspended, integrated ceiling and PCV mounting		Recessed, suspended mounting	
Operating Temperature	-20°C to +40°C			
Storage Temperature	-20°C to +60°C			
Environment	Indoor (IP20)			
Lumen Maintenance	L70@25°C - 50,000hrs			
Safety Approval	Electrical Protection Class II, CB, CCC			

Due to the special conditions of manufacturing process of LED, the typical data of technical parameters can only reflect statistical figures and do not necessarily correspond to the actual parameters of each single product which could differ from typical data.

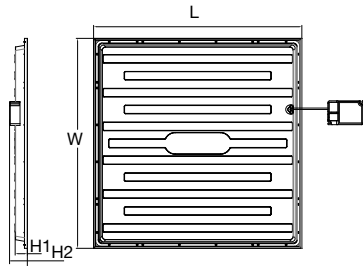
Exceeding maximum ratings for operation voltage will cause hazardous overload and will likely destroy the LED module.

Exceeding maximum ratings for operation and storage temperature will reduce expected life time or destroy the LED module.

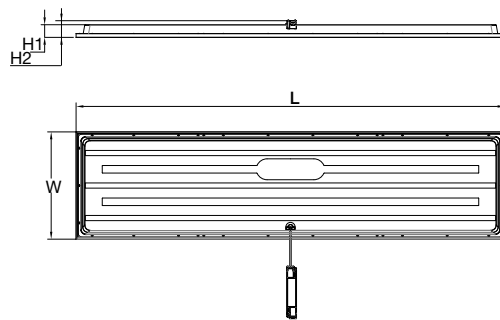
## Simplitz® Louver V2

### Dimensions Recessed / Suspended Mounting

2ft x 2ft



4ft x 1ft

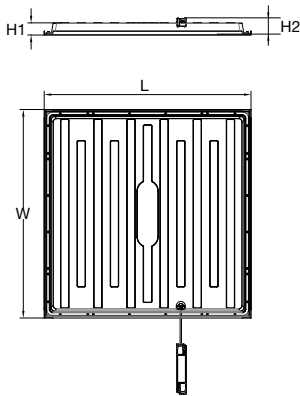


### Dimensions

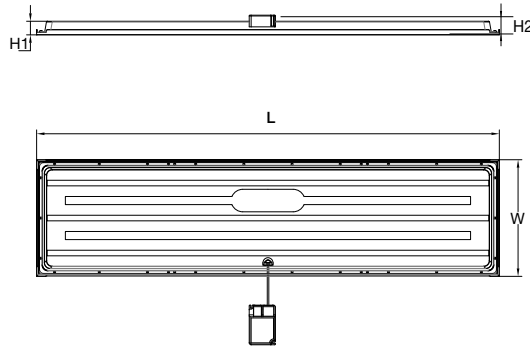
	2ft x 2ft	4ft x 1ft
L	597mm	1197mm
W	597mm	297mm
H1	35mm	35mm
H2	42mm	42mm

### Integrated Ceiling Mounting

2ft x 2ft



4ft x 1ft



### Dimensions

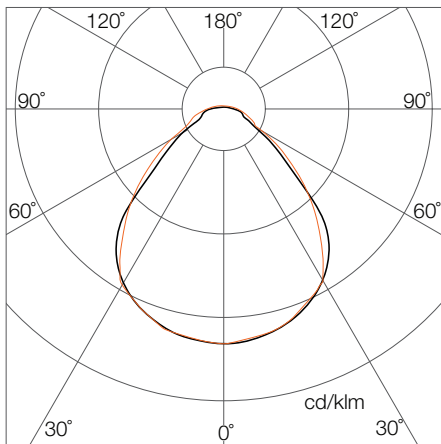
	2ft x 2ft	4ft x 1ft
L	600mm	1200mm
W	600mm	300mm
H1	35mm	35mm
H2	42mm	42mm

# Simplitz® Louver V2

## Photometrics

### URG19

#### Light Distribution Curve



#### Illuminance at a distance

	Center Beam Lux/klm	Beam Width	
		V	H
0.5m	1787	1.01m	1.01m
1.0m	447	2.01m	2.02m
1.5m	199	3.02m	3.03m
2.0m	112	4.03m	4.04m
2.5m	71	5.04m	5.05m
3.0m	50	6.04m	6.06m

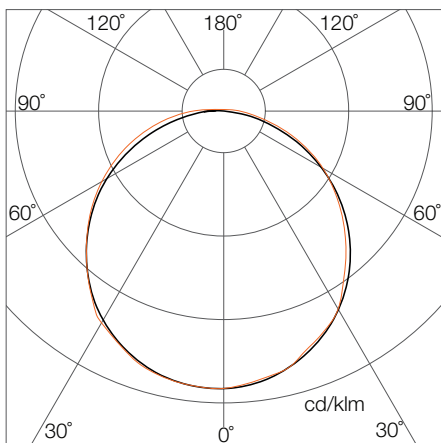
● Horiz.Spread: 90.6°  
 ● Verti.Spread: 90.4°

For feet multiply by 3.28

For fc divide by 10.7

### URG22

#### Light Distribution Curve



#### Illuminance at a distance

	Center Beam Lux/klm	Beam Width	
		V	H
0.5m	1382	1.51m	1.50m
1.0m	346	3.02m	3.00m
1.5m	154	4.53m	4.50m
2.0m	86	6.04m	6.00m
2.5m	55	7.55m	7.50m
3.0m	38	9.07m	9.00m

● Horiz.Spread: 112.6°  
 ● Verti.Spread: 113.0°  
 For fc divide by 10.7

For feet multiply by 3.28

Due to the manufacturing processes of LED, the polar candela distribution and distance luminaries only reflect statistical figures and do not necessarily correspond to the actual parameters of individual product that may differ from the typical values.

## Simplitz® Louver V2

### Ordering Codes

#### Fixture

Short Text	Power	Dimension	CCT	IC	EAN40
SIM LV V2 0606 LP 840 VS4 OSRAM	32W	2ft x 2ft	4000K	AM457270055	4062172292832
SIM LV V2 0606 LP 857 VS4 OSRAM	32W	2ft x 2ft	5700K	AM457280055	4062172292856
SIM LV V2 0606 LP 865 VS4 OSRAM	32W	2ft x 2ft	6500K	AM457290055	4062172292870
SIM LV V2 0312 LP 840 VS4 OSRAM	32W	4ft x 1ft	4000K	AM457300055	4062172292894
SIM LV V2 0312 LP 857 VS4 OSRAM	32W	4ft x 1ft	5700K	AM457310055	4062172292917
SIM LV V2 0312 LP 865 VS4 OSRAM	32W	4ft x 1ft	6500K	AM457320055	4062172292931
SIM LV V2 0606 LP 840 DA VS4 OSRAM	32W	2ft x 2ft	4000K	AM457330055	4062172292955
SIM LV V2 0606 LP 857 DA VS4 OSRAM	32W	2ft x 2ft	5700K	AM457340055	4062172292979
SIM LV V2 0606 LP 865 DA VS4 OSRAM	32W	2ft x 2ft	6500K	AM457350055	4062172292993
SIM LV V2 0312 LP 840 DA VS4 OSRAM	32W	4ft x 1ft	4000K	AM457360055	4062172293013
SIM LV V2 0312 LP 857 DA VS4 OSRAM	32W	4ft x 1ft	5700K	AM457370055	4062172293037
SIM LV V2 0312 LP 865 DA VS4 OSRAM	32W	4ft x 1ft	6500K	AM457380055	4062172293051
SIM LV V2 0606 LP 840 IT VS4 OSRAM	32W	2ft x 2ft	4000K	AM457390055	4062172293075
SIM LV V2 0606 LP 857 IT VS4 OSRAM	32W	2ft x 2ft	5700K	AM457400055	4062172293099
SIM LV V2 0606 LP 865 IT VS4 OSRAM	32W	2ft x 2ft	6500K	AM457410055	4062172293112
SIM LV V2 0312 LP 840 IT VS4 OSRAM	32W	4ft x 1ft	4000K	AM457420055	4062172293136
SIM LV V2 0312 LP 857 IT VS4 OSRAM	32W	4ft x 1ft	5700K	AM457430055	4062172293150
SIM LV V2 0312 LP 865 IT VS4 OSRAM	32W	4ft x 1ft	6500K	AM457440055	4062172293174
SIM LV V2 0606 LP 840 GU VS4 OSRAM	32W	2ft x 2ft	4000K	AM457450055	4062172293198
SIM LV V2 0606 LP 857 GU VS4 OSRAM	32W	2ft x 2ft	5700K	AM457460055	4062172293211
SIM LV V2 0606 LP 865 GU VS4 OSRAM	32W	2ft x 2ft	6500K	AM457470055	4062172293235
SIM LV V2 0312 LP 840 GU VS4 OSRAM	32W	4ft x 1ft	4000K	AM457480055	4062172293259
SIM LV V2 0312 LP 857 GU VS4 OSRAM	32W	4ft x 1ft	5700K	AM457490055	4062172293273
SIM LV V2 0312 LP 865 GU VS4 OSRAM	32W	4ft x 1ft	6500K	AM457500055	4062172293297
SIM LV V2 SUSPENSION KIT 50X1 OSRAM				AM463250055	4062172298537
SIM LV V2 PCV KIT 50X1 OSRAM				AM463260055	4062172298551