

Product Highlights:

- Strong frame with extrusion aluminum
- Without flicker, Low glare
- 50,000 hours of lumen maintenance - L70@25°C
- Dali & ON/OFF Version

Light is consistent

Simplitz[®] Louver V2

A perfect back-lit LED lighting solution for office areas and assortment of public buildings.

Light is OSRAM

Our Brands

traxon e:cue

OSRAM

Simplitz® Louver V2



Simplitz® Louver V2 is the perfect back-lit LED lighting solution for office areas and assortment of public buildings. The optimized optical design ensures have high uniformity and good glare control with the efficacy up to 125lm/W. It perfectly fits a variety of applications to provide quality general lighting that enhances sense of well-being.

Advantages & Benefits

Simple shape with stable quality

- Strong frame with extrusion aluminum
- Simple design with height of 35mm

Outstanding light performance

- Without flicker, Low glare
- UGR<19
- Up to 125 lm/W
- 50,000hrs lumen maintenance - L70@25°C

Whole range for all applications

- Size: 2ft x 2ft, 4ft x 1ft
- Control: ON&OFF, DALI
- CCT: 4000K/5700K/6500K
- Recessed, suspended, integrated ceiling and PCV mounting

Applications

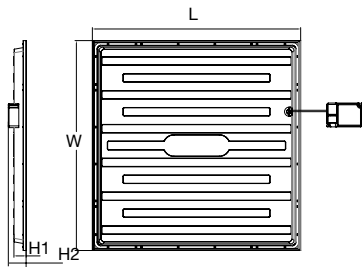
- Offices
- Metro stations
- Banks
- Public areas

Simplitz® Louver V2

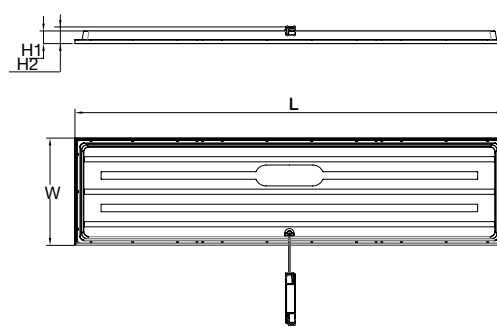
Dimensions

Recessed / Suspended Mounting

2ft x 2ft



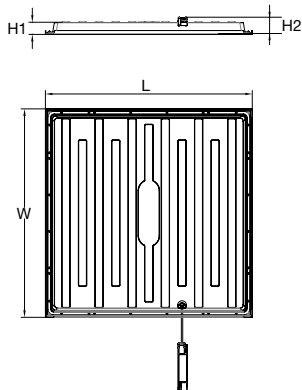
4ft x 1ft



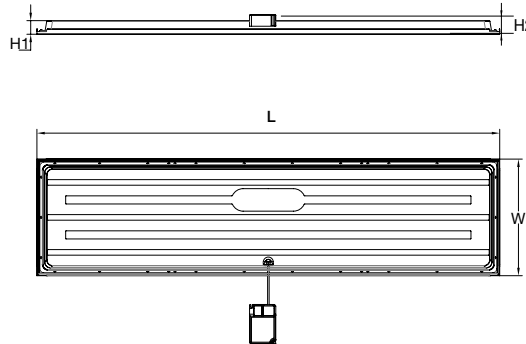
	2ft x 2ft	4ft x 1ft
L	597mm	1197mm
W	597mm	297mm
H1	35mm	35mm
H2	42mm	42mm

Integrated Ceiling Mounting

2ft x 2ft



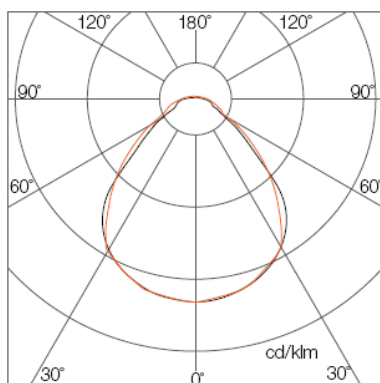
4ft x 1ft



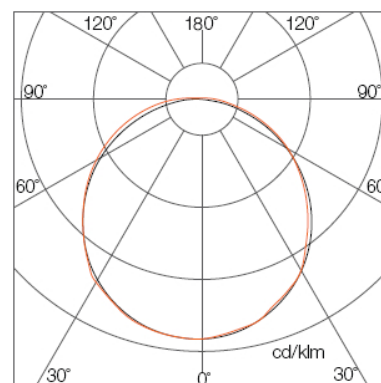
	2ft x 2ft	4ft x 1ft
L	600mm	1200mm
W	600mm	300mm
H2@ON/OFF	35mm	35mm
H2@DALI	42mm	42mm

Photometrics




URG19 - Light Distribution Curve



URG22 - Light Distribution Curve



Simplitz® Louver V2

Product Reference	Ordering Code (EAN40)		V	W	Hz		K	lm	$\frac{b}{[mm]}$	$\frac{l}{[mm]}$	$\frac{h}{[mm]}$	
SIM LV V2 0606 LP 840 VS4 OSRAM	4062172292832	Warm white	220-240	32	50/60	4000	4160	597	597	35	4	4
SIM LV V2 0606 LP 857 VS4 OSRAM	4062172292856	Neutral white	220-240	32	50/60	5700	4160	597	597	35	4	4
SIM LV V2 0606 LP 865 VS4 OSRAM	4062172292870	Cold white	220-240	32	50/60	6500	4160	597	597	35	4	4
SIM LV V2 0312 LP 840 VS4 OSRAM	4062172292894	Warm white	220-240	32	50/60	4000	4160	1197	297	35	4	4
SIM LV V2 0312 LP 857 VS4 OSRAM	4062172292917	Neutral white	220-240	32	50/60	5700	4160	1197	297	35	4	4
SIM LV V2 0312 LP 865 VS4 OSRAM	4062172292931	Cold white	220-240	32	50/60	6500	4160	1197	297	35	4	4
SIM LV V2 0606 LP 840 DA VS4 OSRAM	4062172292955	Warm white	220-240	32	50/60	4000	4000	597	597	35	4	4
SIM LV V2 0606 LP 857 DA VS4 OSRAM	4062172292979	Neutral white	220-240	32	50/60	5700	4000	597	597	35	4	4
SIM LV V2 0606 LP 865 DA VS4 OSRAM	4062172292993	Cold white	220-240	32	50/60	6500	4000	597	597	35	4	4
SIM LV V2 0312 LP 840 DA VS4 OSRAM	4062172293013	Warm white	220-240	32	50/60	4000	4000	1197	297	35	4	4
SIM LV V2 0312 LP 857 DA VS4 OSRAM	4062172293037	Neutral white	220-240	32	50/60	5700	4000	1197	297	35	4	4
SIM LV V2 0312 LP 865 DA VS4 OSRAM	4062172293051	Cold white	220-240	32	50/60	6500	4000	1197	297	35	4	4
SIM LV V2 0606 LP 840 IT VS4 OSRAM	4062172293075	Warm white	220-240	32	50/60	4000	4160	600	600	35	4	4
SIM LV V2 0606 LP 857 IT VS4 OSRAM	4062172293099	Neutral white	220-240	32	50/60	5700	4160	600	600	35	4	4
SIM LV V2 0606 LP 865 IT VS4 OSRAM	4062172293112	Cold white	220-240	32	50/60	6500	4160	600	600	35	4	4
SIM LV V2 0312 LP 840 IT VS4 OSRAM	4062172293136	Warm white	220-240	32	50/60	4000	4160	1200	300	35	4	4
SIM LV V2 0312 LP 857 IT VS4 OSRAM	4062172293150	Neutral white	220-240	32	50/60	5700	4160	1200	300	35	4	4
SIM LV V2 0312 LP 865 IT VS4 OSRAM	4062172293174	Cold white	220-240	32	50/60	6500	4160	1200	300	35	4	4
SIM LV V2 0606 LP 840 GU VS4 OSRAM	4062172293198	Warm white	220-240	32	50/60	4000	4160	597	597	35	4	4
SIM LV V2 0606 LP 857 GU VS4 OSRAM	4062172293211	Neutral white	220-240	32	50/60	5700	4160	597	597	35	4	4
SIM LV V2 0606 LP 865 GU VS4 OSRAM	4062172293235	Cold white	220-240	32	50/60	6500	4160	597	597	35	4	4
SIM LV V2 0312 LP 840 GU VS4 OSRAM	4062172293259	Warm white	220-240	32	50/60	4000	4160	1197	297	35	4	4
SIM LV V2 0312 LP 857 GU VS4 OSRAM	4062172293273	Neutral white	220-240	32	50/60	5700	4160	1197	297	35	4	4
SIM LV V2 0312 LP 865 GU VS4 OSRAM	4062172293297	Cold white	220-240	32	50/60	6500	4160	1197	297	35	4	4

Technical data subject to variation and change without notice.

OSRAM copyrights reserved 2022. Subject to change without notice. Errors and omission excepted. All images used are for illustrative purposes only and not intended to reflect actual product performance.

Traxon e:cue

Sales enquiry: Traxon.ecue.newsletter@osram.com

www.traxontechnologies.com

