



Product Highlights:

- Smart city connectivity with NEMA socket
- Power range from 60W to 300W
- Independent 10KV surge protection
- No tools for maintenance and replacement
- Flicker free

Light is intelligent

Simplitz[®] Street Light V2

An intelligent street light for all road lighting applications

Light is OSRAM

Our Brands

traxon ecue

OSRAM

Simplitz® Street Light V2



Simplitz® Street Light V2 Edition is OSRAM’s new generation intelligent street light. It is able to work with a built-in or external single-lamp controller and become a unit of the smart city control system. Designed as a smart, reliable and energy saving solution for all road lighting applications, it comes with a streamlined appearance, ergonomic structure, precise optical design, extra-long lifetime and high optical efficiency to ensure road safety and pedestrian comfort.

Advantages & Benefits

Perfectly integrated into smart city control

- Smart city connectivity with NEMA socket
- 1-10V/Step/PWM Dimming available

Fulfill various application

- Power range from 60W to 300W
- CCT available from 2700K to 6500K
- Up to 165 lm/W efficacy
- Flicker free

High reliability

- Independent 10KV surge protection

- Lumen maintenance L70-80000 hours @Ta35°C
- Robust aluminum body
- High protection level IP66&IK10
- Operating temperature: -40°C to +55°C

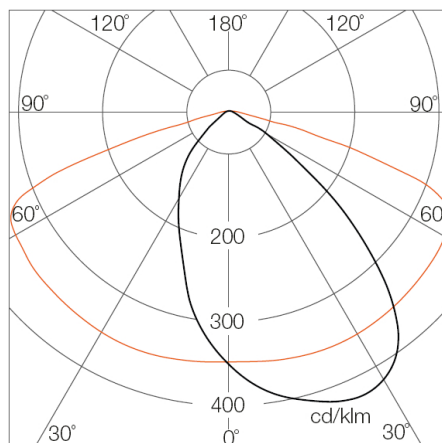
Easy to maintain

- No tools for maintenance and replacement
- Suitable for mounting on 40-60mm diameter
- Tilt angle adjustable

Applications

- Urban road lighting (Express way, Major road, Collector road, Local road, Residential road)
- Rural road lighting
- Commercial district road lighting
- Industrial areas road lighting
- Parking lot lighting

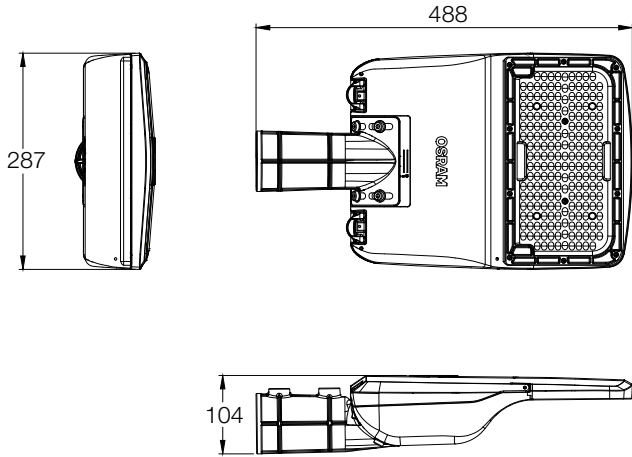
Photometrics



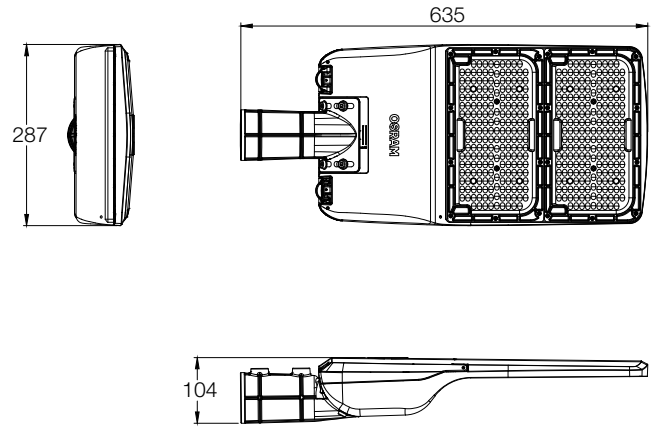
Simplitz® Street Light V2

Dimensions

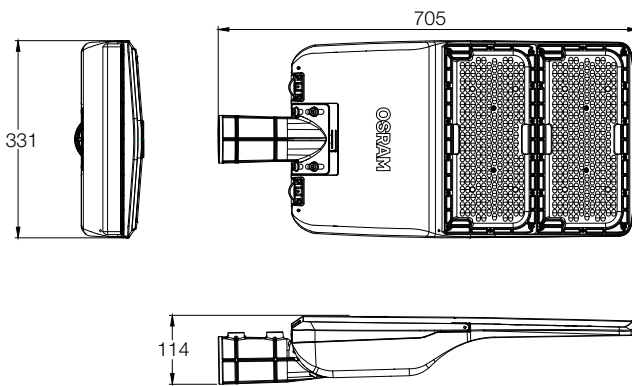
Micro 60W-90W



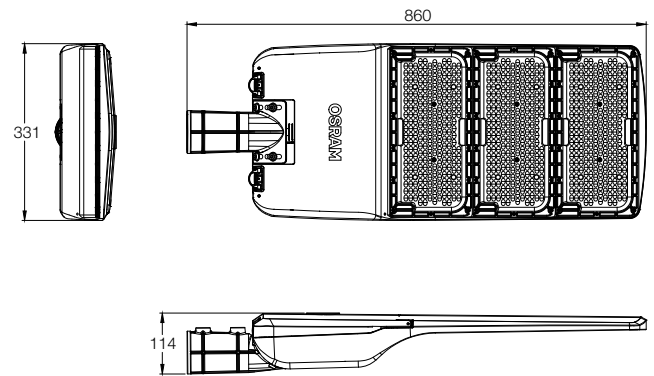
Mini 120W-150W



Midi 180W-210W



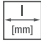
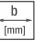




Maxi 240W-300W



Product Reference	Ordering Code (EAN40)		V	W	Hz	K	lm					
									l [mm]	b [mm]	h [mm]	
SIM.ST V2 60W 730 SMB VS2 OSRAM	4062172268943	Warm white	220-240	60	50/60	3000	9300	150°x 70°	488	287	104	2
SIM.ST V2 60W 730 SMB NEMA VS2 OSRAM	4062172268950	Warm white	220-240	60	50/60	3000	9300	150°x 70°	488	287	104	2
SIM.ST V2 60W 740 SMB VS2 OSRAM	4062172268967	Neutral white	220-240	60	50/60	4000	9300	150°x 70°	488	287	104	2
SIM.ST V2 60W 740 SMB NEMA VS2 OSRAM	4062172268974	Neutral white	220-240	60	50/60	4000	9300	150°x 70°	488	287	104	2
SIM.ST V2 60W 757 SMB VS2 OSRAM	4062172268981	Cold white	220-240	60	50/60	5700	9300	150°x 70°	488	287	104	2
SIM.ST V2 60W 757 SMB NEMA VS2 OSRAM	4062172268998	Cold white	220-240	60	50/60	5700	9300	150°x 70°	488	287	104	2
SIM.ST V2 90W 730 SMB VS2 OSRAM	4062172269162	Warm white	220-240	90	50/60	3000	13950	150°x 70°	488	287	104	2
SIM.ST V2 90W 730 SMB NEMA VS2 OSRAM	4062172269179	Warm white	220-240	90	50/60	3000	13950	150°x 70°	488	287	104	2
SIM.ST V2 90W 740 SMB VS2 OSRAM	4062172269193	Neutral white	220-240	90	50/60	4000	13950	150°x 70°	488	287	104	2
SIM.ST V2 90W 740 SMB NEMA VS2 OSRAM	4062172269247	Neutral white	220-240	90	50/60	4000	13950	150°x 70°	488	287	104	2
SIM.ST V2 90W 757 SMB VS2 OSRAM	4062172269254	Cold white	220-240	90	50/60	5700	13950	150°x 70°	488	287	104	2
SIM.ST V2 90W 757 SMB NEMA VS2 OSRAM	4062172269261	Cold white	220-240	90	50/60	5700	13950	150°x 70°	488	287	104	2
SIM.ST V2 120W 730 SMB VS1 OSRAM	4062172269278	Warm white	220-240	120	50/60	3000	18600	150°x 70°	635	287	104	1
SIM.ST V2 120W 730 SMB NEMA VS1 OSRAM	4062172269285	Warm white	220-240	120	50/60	3000	18600	150°x 70°	635	287	104	1
SIM.ST V2 120W 740 SMB VS1 OSRAM	4062172269292	Neutral white	220-240	120	50/60	4000	18600	150°x 70°	635	287	104	1
SIM.ST V2 120W 740 SMB NEMA VS1 OSRAM	4062172269308	Neutral white	220-240	120	50/60	4000	18600	150°x 70°	635	287	104	1
SIM.ST V2 120W 757 SMB VS1 OSRAM	4062172269315	Cold white	220-240	120	50/60	5700	18600	150°x 70°	635	287	104	1
SIM.ST V2 120W 757 SMB NEMA VS1 OSRAM	4062172269322	Cold white	220-240	120	50/60	5700	18600	150°x 70°	635	287	104	1
SIM.ST V2 150W 730 SMB VS1 OSRAM	4062172269339	Warm white	220-240	150	50/60	3000	23250	150°x 70°	635	287	104	1
SIM.ST V2 150W 730 SMB NEMA VS1 OSRAM	4062172269346	Warm white	220-240	150	50/60	3000	23250	150°x 70°	635	287	104	1
SIM.ST V2 150W 740 SMB VS1 OSRAM	4062172269353	Neutral white	220-240	150	50/60	4000	23250	150°x 70°	635	287	104	1
SIM.ST V2 150W 740 SMB NEMA VS1 OSRAM	4062172269360	Neutral white	220-240	150	50/60	4000	23250	150°x 70°	635	287	104	1
SIM.ST V2 150W 757 SMB VS1 OSRAM	4062172269377	Cold white	220-240	150	50/60	5700	23250	150°x 70°	635	287	104	1
SIM.ST V2 150W 757 SMB NEMA VS1 OSRAM	4062172269384	Cold white	220-240	150	50/60	5700	23250	150°x 70°	635	287	104	1

Simplitz® Street Light V2

Product Reference	Ordering Code (EAN40)		V	W	Hz	K	lm					
SIM.ST.V2.180W.730.SMB.VS1.OSRAM	4062172269414	Warm white	220-240	180	50/60	3000	27900	150°x 70°	705	331	114	1
SIM.ST.V2.180W.730.SMB.NEMA.VS1.OSRAM	4062172269421	Warm white	220-240	180	50/60	3000	27900	150°x 70°	705	331	114	1
SIM.ST.V2.180W.740.SMB.VS1.OSRAM	4062172269438	Neutral white	220-240	180	50/60	4000	27900	150°x 70°	705	331	114	1
SIM.ST.V2.180W.740.SMB.NEMA.VS1.OSRAM	4062172269445	Neutral white	220-240	180	50/60	4000	27900	150°x 70°	705	331	114	1
SIM.ST.V2.180W.757.SMB.VS1.OSRAM	4062172269452	Cold white	220-240	180	50/60	5700	27900	150°x 70°	705	331	114	1
SIM.ST.V2.180W.757.SMB.NEMA.VS1.OSRAM	4062172269469	Cold white	220-240	180	50/60	5700	27900	150°x 70°	705	331	114	1
SIM.ST.V2.210W.730.SMB.VS1.OSRAM	4062172269476	Warm white	220-240	210	50/60	3000	32550	150°x 70°	705	331	114	1
SIM.ST.V2.210W.730.SMB.NEMA.VS1.OSRAM	4062172269483	Warm white	220-240	210	50/60	3000	32550	150°x 70°	705	331	114	1
SIM.ST.V2.210W.740.SMB.VS1.OSRAM	4062172269490	Neutral white	220-240	210	50/60	4000	32550	150°x 70°	705	331	114	1
SIM.ST.V2.210W.740.SMB.NEMA.VS1.OSRAM	4062172269506	Neutral white	220-240	210	50/60	4000	32550	150°x 70°	705	331	114	1
SIM.ST.V2.210W.757.SMB.VS1.OSRAM	4062172269513	Cold white	220-240	210	50/60	5700	32550	150°x 70°	860	331	114	1
SIM.ST.V2.210W.757.SMB.NEMA.VS1.OSRAM	4062172269520	Cold white	220-240	210	50/60	5700	32550	150°x 70°	860	331	114	1
SIM.ST.V2.240W.730.SMB.VS1.OSRAM	4062172269537	Warm white	220-240	240	50/60	3000	37200	150°x 70°	860	331	114	1
SIM.ST.V2.240W.730.SMB.NEMA.VS1.OSRAM	4062172269544	Warm white	220-240	240	50/60	3000	37200	150°x 70°	860	331	114	1
SIM.ST.V2.240W.740.SMB.VS1.OSRAM	4062172269551	Neutral white	220-240	240	50/60	4000	37200	150°x 70°	860	331	114	1
SIM.ST.V2.240W.740.SMB.NEMA.VS1.OSRAM	4062172269568	Neutral white	220-240	240	50/60	4000	37200	150°x 70°	860	331	114	1
SIM.ST.V2.240W.757.SMB.VS1.OSRAM	4062172269575	Cold white	220-240	240	50/60	5700	37200	150°x 70°	860	331	114	1
SIM.ST.V2.240W.757.SMB.NEMA.VS1.OSRAM	4062172269582	Cold white	220-240	240	50/60	5700	37200	150°x 70°	860	331	114	1
SIM.ST.V2.270W.730.SMB.VS1.OSRAM	4062172269599	Warm white	220-240	270	50/60	3000	41850	150°x 70°	860	331	114	1
SIM.ST.V2.270W.730.SMB.NEMA.VS1.OSRAM	4062172269605	Warm white	220-240	270	50/60	3000	41850	150°x 70°	860	331	114	1
SIM.ST.V2.270W.740.SMB.VS1.OSRAM	4062172269612	Neutral white	220-240	270	50/60	4000	41850	150°x 70°	860	331	114	1
SIM.ST.V2.270W.740.SMB.NEMA.VS1.OSRAM	4062172269629	Neutral white	220-240	270	50/60	4000	41850	150°x 70°	860	331	114	1
SIM.ST.V2.270W.757.SMB.VS1.OSRAM	4062172269636	Cold white	220-240	270	50/60	5700	41850	150°x 70°	860	331	114	1
SIM.ST.V2.270W.757.SMB.NEMA.VS1.OSRAM	4062172269643	Cold white	220-240	270	50/60	5700	41850	150°x 70°	860	331	114	1
SIM.ST.V2.300W.730.SMB.VS1.OSRAM	4062172269650	Warm white	220-240	300	50/60	3000	46500	150°x 70°	860	331	114	1
SIM.ST.V2.300W.730.SMB.NEMA.VS1.OSRAM	4062172269667	Warm white	220-240	300	50/60	3000	46500	150°x 70°	860	331	114	1
SIM.ST.V2.300W.740.SMB.VS1.OSRAM	4062172269674	Neutral white	220-240	300	50/60	4000	46500	150°x 70°	860	331	114	1
SIM.ST.V2.300W.740.SMB.NEMA.VS1.OSRAM	4062172269681	Neutral white	220-240	300	50/60	4000	46500	150°x 70°	860	331	114	1
SIM.ST.V2.300W.757.SMB.VS1.OSRAM	4062172269698	Cold white	220-240	300	50/60	5700	46500	150°x 70°	860	331	114	1
SIM.ST.V2.300W.757.SMB.NEMA.VS1.OSRAM	4062172269704	Cold white	220-240	300	50/60	5700	46500	150°x 70°	860	331	114	1

Technical data subject to variation and change without notice.

OSRAM copyrights reserved 2022. Subject to change without notice. Errors and omission excepted. All images used are for illustrative purposes only and not intended to reflect actual product performance.

Traxon e:cue

Sales enquiry: Traxon.ecue.newsletter@osram.com

www.traxontechnologies.com | www.osram.com.cn/lis | www.osram.com/ecue

