

## Simplitz® Street Light Datasheet



Simplitz® Street Light, a versatile and powerful outdoor luminaire for street lighting applications. This highly efficient product family provides Smart City compatibility and elegant identity for modern cities, with lower total cost of ownership and quick payback on investment. With high efficacy, high reliability, low maintenance and excellent optic performance, it brings safety and well-being for various road illuminations. Simplitz® Street Light is an ideal solution for residential paths, collection roads and multi-lane highways.

### Benefits

Smart City compatibility

- Smart City connectivity with NEMA socket
- ON/OFF + 1-10V DIM (2in1), Step DIM and DALI DIM customization

Comprehensive product range for various applications

- Power range from 30W to 270W
- Choices of CCT 3000K/4000K/5700K
- PC lens version (standard)

Highly reliable and durable

- Lumen maintenance 50,000 hours @35°C, L70
- Robust die-cast housing
- IP66 and IK09
- Operating temperature: -30°C to +55°C

User-friendly installation and maintenance

- Tool-free luminaire opening and wiring
- 0-15° tilt angle adjustable
- Separate spigot enables side-entry and post-top installations

### Applications

- Street light illuminations
- Residential paths
- Parking lots
- Industrial roads

# Simplitz® Street Light

## Technical Data

### Optical Specifications

		Micro		Mini	Midi	Maxi				
<b>Luminous Flux</b>	4000K	30W	60W	90W	120W	150W	180W	210W	240W	270W
		4200 lm	8400 lm	12600 lm	16800 lm	21000 lm	25200 lm	29400 lm	33600 lm	37800 lm
<b>Efficacy</b>	4000K	140 lm/W								
<b>CCT</b>	3000K, 4000K ,5700K, others customization*									
<b>CRI (Ra)</b>	>70 , others customization*									
<b>SDCM</b>	5									
<b>Beam Angle</b>	155° x 60°				151° x 68°					

### Electrical and Mechanical Specifications

<b>Input Voltage</b>	220-240V AC 50/60Hz									
<b>Power Consumption</b>	30W	60W	90W	120W	150W	180W	210W	240W	270W	
<b>Power Factor</b>	>0.95									
<b>Total Harmonic Distortion</b>	≤20%									
<b>Surge Protection</b>	Line-to-line 5KV, line-to-ground 10KV									
<b>Dimensions</b>	<b>Length</b>	534mm		600mm	732mm	867mm				
	<b>Width</b>	300mm		300mm	300mm	330mm				
	<b>Height</b>	108mm		108mm	108mm	108mm				
<b>Weight</b>	4.5kg	4.7kg	5.3kg	6.2kg	6.2kg	8.2kg	8.2kg	8.3kg	8.5kg	
<b>Cover Lens</b>	PC lens									
<b>Housing</b>	Die-casting aluminum, RAL9006, other color customization*									

### System Specifications

<b>Power</b>	AC line									
<b>Dimmable</b>	ON/OFF + 1-10V DIM (2in1), Step DIM and DALI DIM customization*									
<b>Mounting Type</b>	Side-entry or Post-top mounting									
<b>Operating Temperature</b>	-30°C to +55°C									
<b>Storage Temperature</b>	-40°C to +80°C									
<b>Environment</b>	Outdoor (IP66, IK09)									
<b>Lumen Maintenance</b>	L70 @35°C - 50,000hrs									
<b>Safety Approval</b>	Electrical Protection Class I, CB, CE, CQC									

Items with \* are non-standard items and are available on request.

Due to the special conditions of manufacturing process of LED, the typical data of technical parameters can only reflect statistical figures and do not necessarily correspond to the actual parameters of each single product which could differ from typical data.

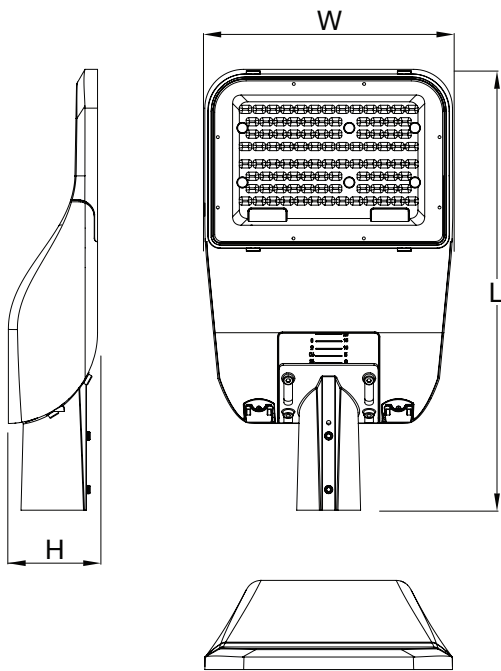
Exceeding maximum ratings for operation voltage will cause hazardous overload and will likely destroy the LED module.

Exceeding maximum ratings for operation and storage temperature will reduce expected life time or destroy the LED module.

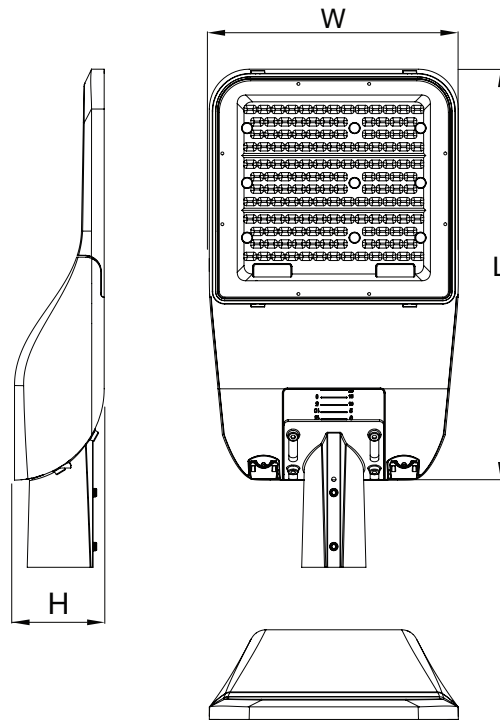
# Simplitz® Street Light

## Dimensions

### Micro



### Mini



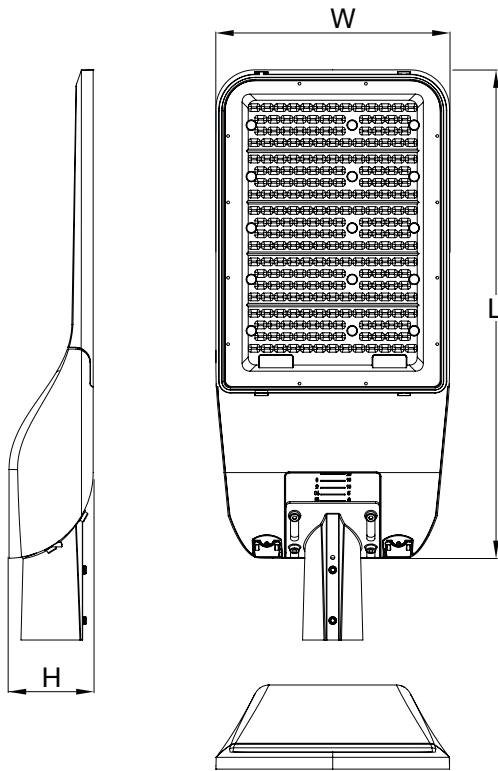
## Dimensions

	Micro	Mini
L	534mm	600mm
W	300mm	300mm
H	108mm	108mm

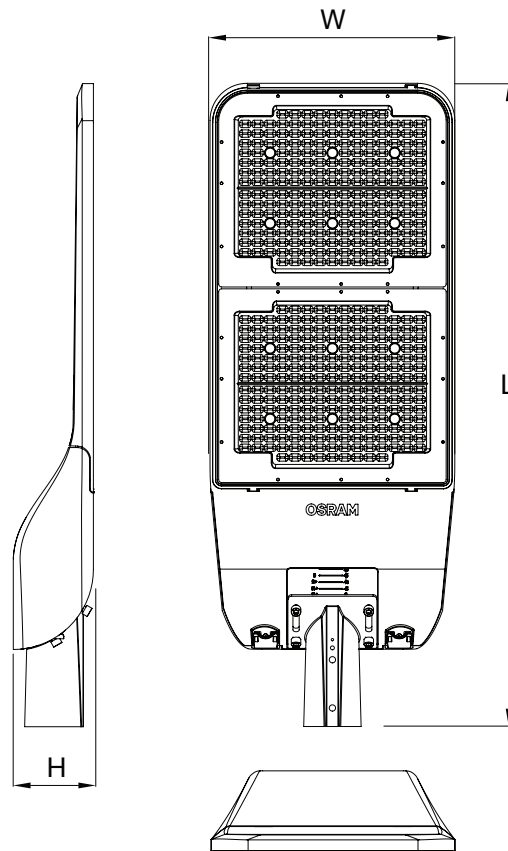
# Simplitz® Street Light

## Dimensions

### Midi



### Maxi



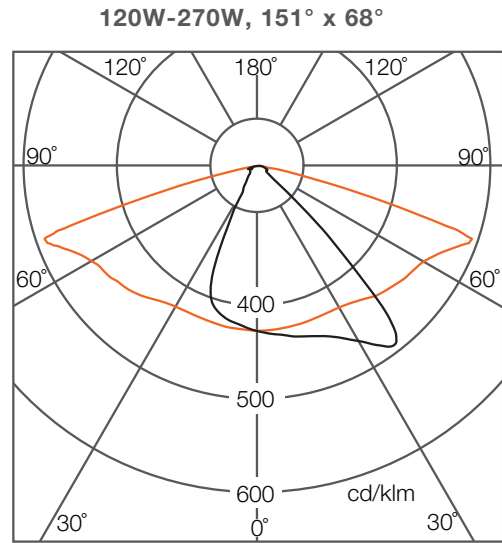
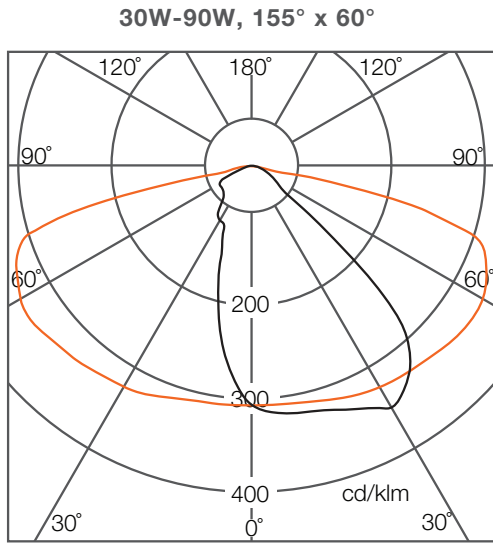
## Dimensions

	Midi	Maxi
L	732mm	867mm
W	300mm	330mm
H	108mm	108mm

# Simplitz® Street Light

## Photometrics

### Light Distribution Curve



Due to the manufacturing processes of LED, the polar candela distribution and distance luminaries only reflect statistical figures and do not necessarily correspond to the actual parameters of individual product that may differ from the typical values.

## Simplitz® Street Light

### Ordering Codes

#### Fixture

Short Text	Power	CCT	Beam Angle	Material	EAN40
SIM ST 30W 730 155X60D DIM VS2 AP OSRAM	30W	3000K	155° x 60°	AM379870055	4062172162401
SIM ST 30W 740 155X60D DIM VS2 AP OSRAM	30W	4000K	155° x 60°	AM379880055	4062172162418
SIM ST 30W 757 155X60D DIM VS2 AP OSRAM	30W	5700K	155° x 60°	AM379240055	4062172161053
SIM ST 60W 730 155X60D DIM VS2 AP OSRAM	60W	3000K	155° x 60°	AM379890055	4062172162425
SIM ST 60W 740 155X60D DIM VS2 AP OSRAM	60W	4000K	155° x 60°	AM379900055	4062172162432
SIM ST 60W 757 155X60D DIM VS2 AP OSRAM	60W	5700K	155° x 60°	AM379250055	4062172161060
SIM ST 90W 730 155X60D DIM VS2 AP OSRAM	90W	3000K	155° x 60°	AM379850055	4062172162364
SIM ST 90W 740 155X60D DIM VS2 AP OSRAM	90W	4000K	155° x 60°	AM379860055	4062172162395
SIM ST 90W 757 155X60D DIM VS2 AP OSRAM	90W	5700K	155° x 60°	AM379260055	4062172161077
SIM ST 120W 730 151X68D DIM VS1 AP OSRAM	120W	3000K	151° x 68°	AM379910055	4062172162371
SIM ST 120W 740 151X68D DIM VS1 AP OSRAM	120W	4000K	151° x 68°	AM379960055	4062172162449
SIM ST 120W 757 151X68D DIM VS1 AP OSRAM	120W	5700K	151° x 68°	AM379270055	4062172161084
SIM ST 150W 730 151X68D DIM VS1 AP OSRAM	150W	3000K	151° x 68°	AM379970055	4062172162388
SIM ST 150W 740 151X68D DIM VS1 AP OSRAM	150W	4000K	151° x 68°	AM379980055	4062172162456
SIM ST 150W 757 151X68D DIM VS1 AP OSRAM	150W	5700K	151° x 68°	AM379280055	4062172161091
SIM ST 180W 730 151X68D DIM VS1 AP OSRAM	180W	3000K	151° x 68°	AM379990055	4062172162463
SIM ST 180W 740 151X68D DIM VS1 AP OSRAM	180W	4000K	151° x 68°	AM380000055	4062172162470
SIM ST 180W 757 151X68D DIM VS1 AP OSRAM	180W	5700K	151° x 68°	AM379290055	4062172161107
SIM ST 210W 730 151X68D DIM VS1 AP OSRAM	210W	3000K	151° x 68°	AM380010055	4062172162487
SIM ST 210W 740 151X68D DIM VS1 AP OSRAM	210W	4000K	151° x 68°	AM380020055	4062172162494
SIM ST 210W 757 151X68D DIM VS1 AP OSRAM	210W	5700K	151° x 68°	AM379300055	4062172161114
SIM ST 240W 730 151X68D DIM VS1 AP OSRAM	240W	3000K	151° x 68°	AM380030055	4062172162500
SIM ST 240W 740 151X68D DIM VS1 AP OSRAM	240W	4000K	151° x 68°	AM380040055	4062172162517
SIM ST 240W 757 151X68D DIM VS1 AP OSRAM	240W	5700K	151° x 68°	AM379310055	4062172161121
SIM ST 270W 730 151X68D DIM VS1 AP OSRAM	270W	3000K	151° x 68°	AM380050055	4062172162524
SIM ST 270W 740 151X68D DIM VS1 AP OSRAM	270W	4000K	151° x 68°	AM380060055	4062172162531
SIM ST 270W 757 151X68D DIM VS1 AP OSRAM	270W	5700K	151° x 68°	AM379320055	4062172161138