

SYMPL Core Sp



e:cue SYMPL Core Sp

The SYMPL Core Sp is a stand-alone engine for e:cue SYMPHOLIGHT with SYMPL Nodes as interfaces. It executes SYMPHOLIGHT projects in small to medium-sized projects and controls all available SYMPL Nodes. As a user interface it utilizes the Action Pad of SYMPHOLIGHT with all usual web browsers. The connection between SYMPL Core Sp, external systems and the Nodes is a standard Ethernet network. Projects can be transferred to the SYMPL Core Sp from a SYMPHOLIGHT server or via its web interface. The SYMPL Core Sp can be powered by an external power supply or via Power-over-Ethernet.

Highlights

- SYMPHOLIGHT engine for small to medium-sized projects
- Connections to SYMPL Nodes over Ethernet
- SYMPHOLIGHT Action Pad as user interface with all usual web browsers
- microSD-Karte as mass memory
- USB 2.0 interface für USB memory sticks
- Power-over-Ethernet (PoE)

Delivery scope

- e:cue SYMPL Core Sp
- Safety instructions
- Welcome note

Optional accessories

- Power Supply 15W 24V DIN rail AM1884100HA
- SYMPL Switch AM313830035

Identcode

AM430280035

e:cue Interfaces

Lighting applications are heterogenous by nature. e:cue interfaces serve to integrate many networks, protocols and third party products into e:cue solutions. They also aid in applying special control functions for fixtures, they integrate analog or mechanical signaling into the digital world and offer bridging functions. e:cue interfaces are the links to bring together the many techniques and technologies of lighting control.

Product specifications

Dimensions (W x H x D)	71.5 x 90.5 x 62 mm / 2.81 x 3.56 x 2.44 in (excl. fastening clip)
Weight	170 g / 0.37 lb
Power supply input	24 ... 48 V DC on terminal plug wire gauge: 0.25 ... 1.5 sqmm, (0.5 sqmm for flexible wires with ferrules) or PoE IEEE 802.3af on RJ45
Power consumption	max. 12 W incl. external USB load
Operating temperature	-20 ... 40 °C / -4 ... 104 °F
Storage temperature	-20 ... 70 °C / -4 ... 158 °F
Operating / storage humidity	0 ... 80% RH, non-condensing
Protection class	IP20
Installation	Indoor installation only, intra building connections only
Housing	Self extinguishing blend PC/ABS, UL E140692
Mounting	on 35 mm DIN rail (EN 60715), or with key hole on any stable vertical surface
Certificates	CE, RoHS, FCC, UKCA, ETL

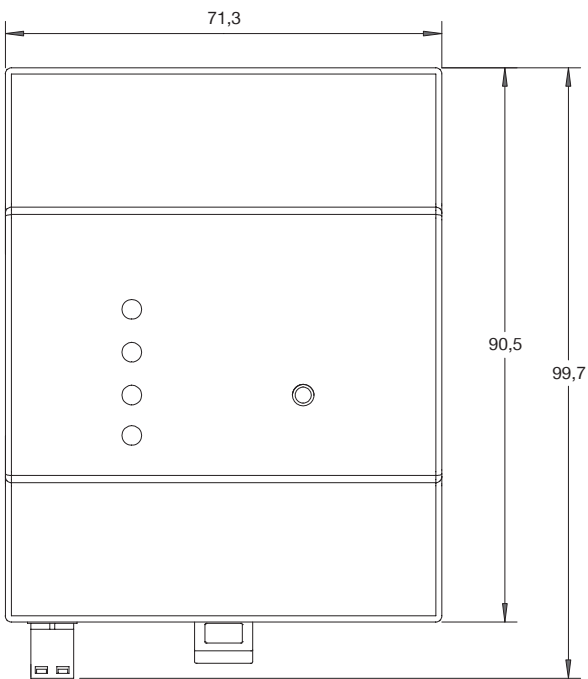
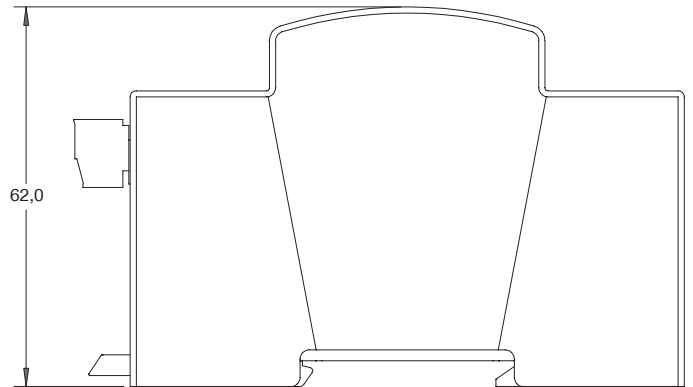
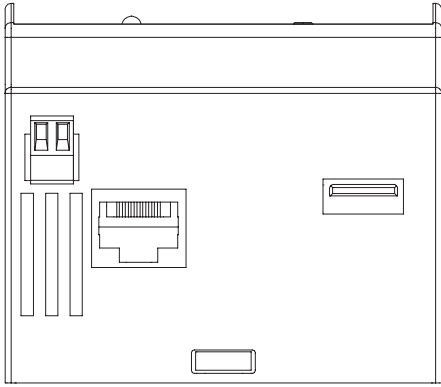
Interface specifications

User interfaces	4 LEDs (Master/Backup, Error/Status, Ethernet, Power) Identify button Web interface
System interfaces	1 x ethernet 10/100 Mbit/s, RJ45 CAT shielded, for e:net and PoE (galvanically not isolated) USB 2.0 Type A
Mass Memory	microSD card

©2024 traxon technologies. All rights reserved.

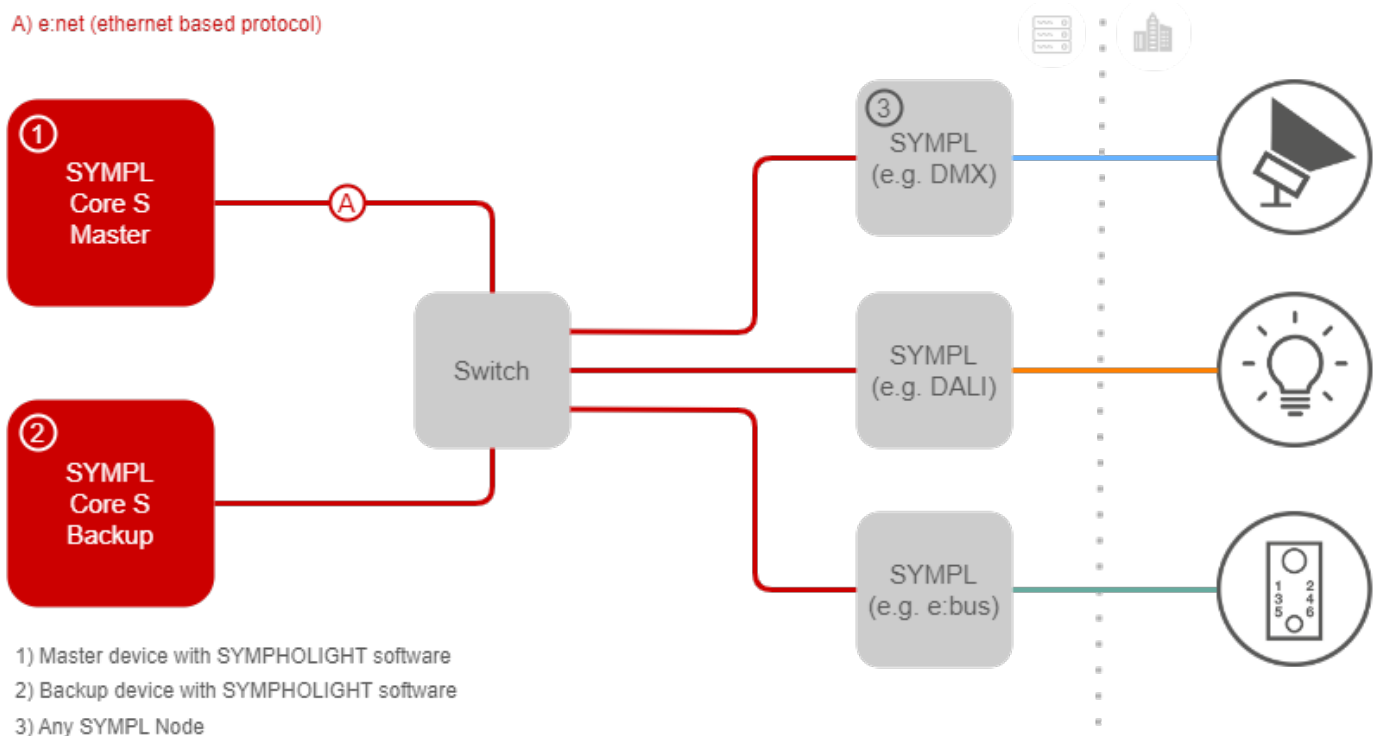
Dimensions

All measures in mm



System diagram

A) e:net (ethernet based protocol)



- 1) Master device with SYMPHOLIGHT software
- 2) Backup device with SYMPHOLIGHT software
- 3) Any SYMPL Node



Conforms to ANSI/UL Std. 62368-1
 Certified to CSA Std. C22.2 NO. 62368-1