



TRAXON

Washer Go Midi White

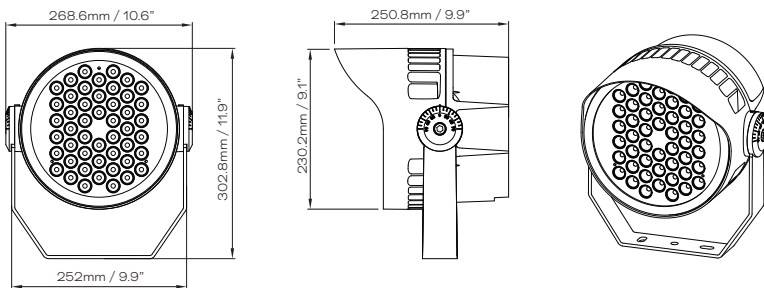


The Traxon Washer Go Midi is an AC line powered exterior luminaire used to distinguish facades, walls, and architectural landmarks with a powerful, even color wash effect. Washer Go's high-value design features efficient electrical and optical systems, making it ideal for budget-conscious projects.

Features

- DMX control
- Easy installation and maintenance

Dimensions



TRAXON Go⁺

Project: _____

Type: _____



IP66



COAST



DMX 512



ANSI 3G



IK07

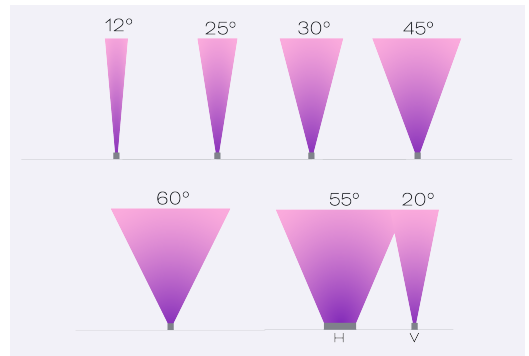
Technologies

- Manual-Addressing with TX Addresser

Color Options



Beam Angle



Finish



Traxon Signature Gray: RAL7005

Product Specifications

Model	Washer Go Midi White
Light Source	White: 48pcs LED
Color Range	White: 2700K, 3000K, 4000K, 5700K, 6500K
LED Quantity	48pcs LED
Luminous Flux	White 3000K: 7500 lm (full on 12°) White 4000K: 8500 lm (full on 12°)
Candela	White 3000K: 105773 cd (full on 12°) White 4000K: 119876 cd (full on 12°)
Efficacy	White 3000K: 75 lm/W (full on 12°) White 4000K: 85 lm/W (full on 12°)
CRI	≥ 80 (White: 2700K/3000K/4000K) ≥ 70 (White: 5700K/6500K)
SDCM	≤5 step
Beam Angles	12°, 25°, 30°, 45°, 60°, 55x20°
Cover Lens	Tempered Glass
Housing	Die Cast Aluminum
Housing Finish Options	Traxon Signature Gray (RAL7005)
Adjustment Options	-90° to +90°
Mounting	Yoke Mount
Dimensions (W x D x H)	269mm / 10.6" x 251mm / 9.9" x 303mm / 11.9"
Weight	7.2kg / 15.9lbs
EPA	Front: 47425mm ² / 0.51ft ² Side: 55785mm ² / 0.6ft ²
Regulatory Listing & Safety Approval	cETLus, FCC, ANSI C136.31-3G
Operating Temperature	-30°C to +50°C (-22°F to +122°F)
Minimum Starting Temperature	-20°C (-4°F)
Storage Temperature	-40°C to +80°C (-40°F to +176°F)
Environment	Outdoor, IP66, IK07, Coastal Environment (ASTM B117-16)
Humidity	85%, non-condensing

Electrical Specifications

Input Voltage	120-277V AC
Power Consumption	100W
Lumen Maintenance	L70 50000hrs @ 25°C

System Specifications

Power	AC Line
Control	DMX 512
Addressing Options	Manual-Addressing with TX Addresser
Chipset	MR DMX05

LED CHARACTERISTICS Because LEDs are semiconductor devices, their performances are subject to inherent variability commonly found in semiconductor industry. To improve consistency in performance across the same product, LED manufacturers "sort" LEDs into bins according to different preset parameters, such as forward driving voltage, illumination, etc. Whereas binning is a sorting function, it is not a correction process. Inherent variability in the manufacturing process results always in different binning distributions according to different production lots. Traxon uses automatically binned LEDs on its products, thereby minimizing output variations within the model range.

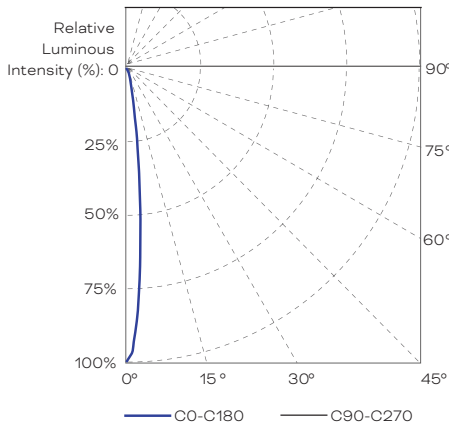
As with all electronic devices, LED output degrades over time – a term called lumen depreciation. This also explains why it is nearly impossible to expect photometric performances of two LED products with different service life spans to be the same. The rate of LED degrade is a complicated function of many factors such as operating efficiency, duration of continuous operation, and more significantly, environmental conditions (ambient temperature for example). If allowed working under optimal operating temperature range and with good ventilation, LED devices enjoy long service lives over conventional light sources. When using/installing LED devices, care should be taken to ensure that the devices will operate within the operating conditions specified in respective product literature.

Lumen measurement complies with LM-79-08 standard.
Lumen maintenance is calculated based on LM-80 compliant measurement.

Source Specifications

Source	White: 48pcs LED
Optics	12°

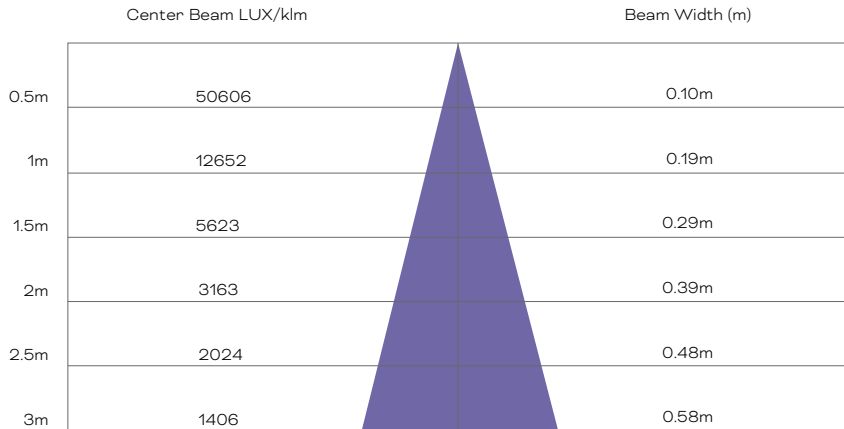
Candela Distribution



Light Output

Color	Luminous Flux (lm)	Center Intensity (cd)	Efficacy (lm/W)
2700K	7000	98721	70
3000K	7500	105773	75
4000K	8500	119876	85
5700K	8500	119876	85

Illuminance at a Distance



● Horiz. Spread: 11.0°

For fc divide by 10.7

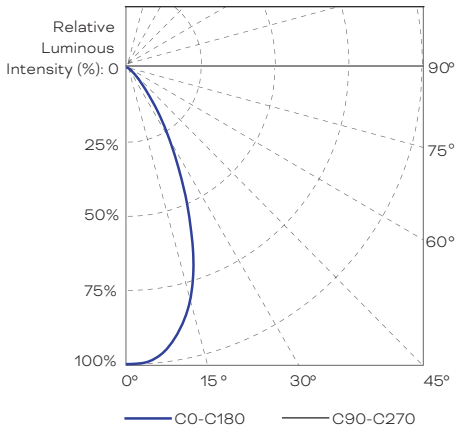
For feet multiply by 3.28

IES and LDT files are available for download from the Traxon website.

Source Specifications

Source	White: 48pcs LED
Optics	60°

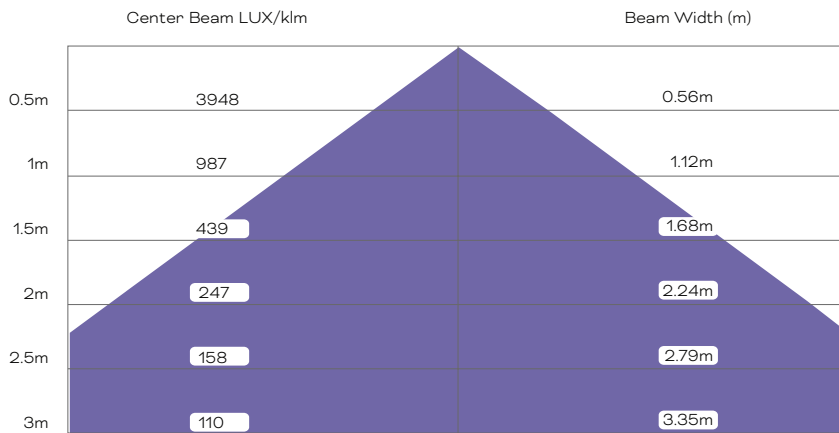
Candela Distribution



Light Output

Color	Luminous Flux (lm)	Center Intensity (cd)	Efficacy (lm/W)
2700K	5950	6073	60
3000K	6375	6507	64
4000K	7225	7375	72
5700K	7225	7375	72

Illuminance at a Distance



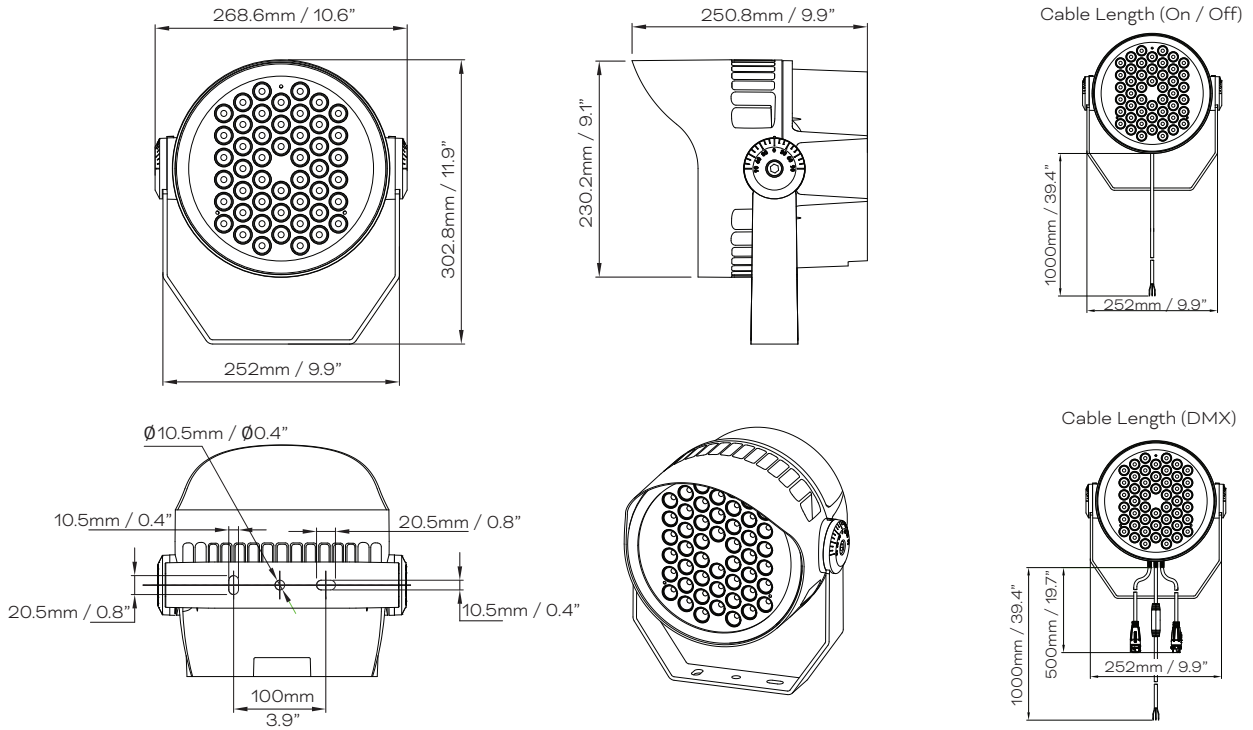
● Horiz. Spread: 58.4°

For fc divide by 10.7

For feet multiply by 3.28

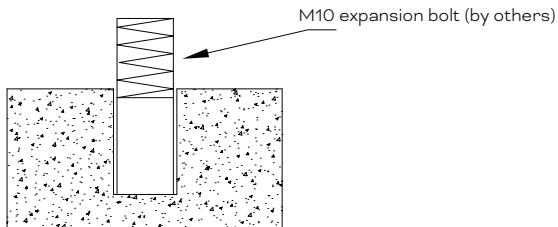
IES and LDT files are available for download from the Traxon website.

Fixture Dimensions

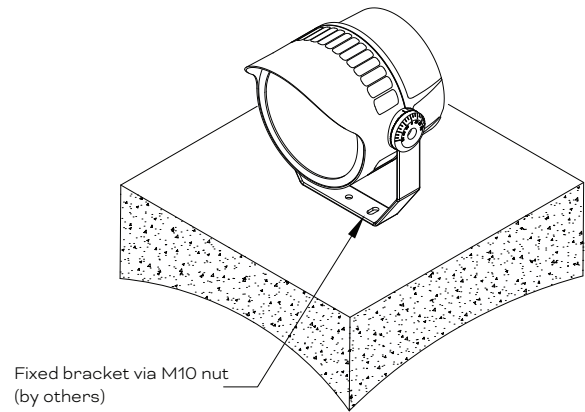


Bracket Mounting

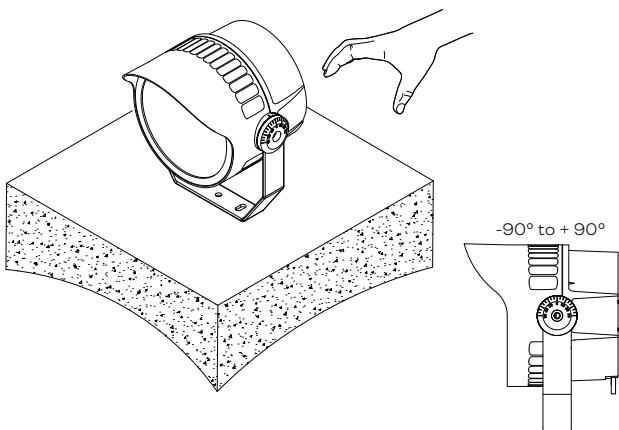
Install expansion screws on the fixed surface



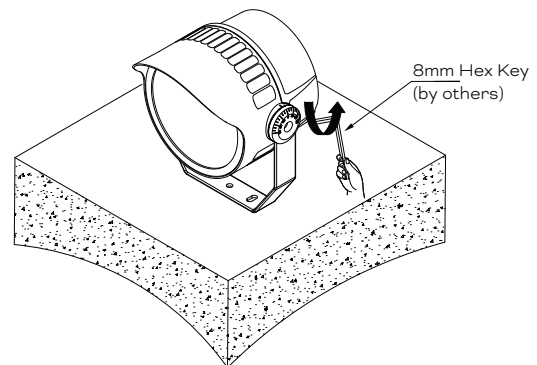
Fix the bracket



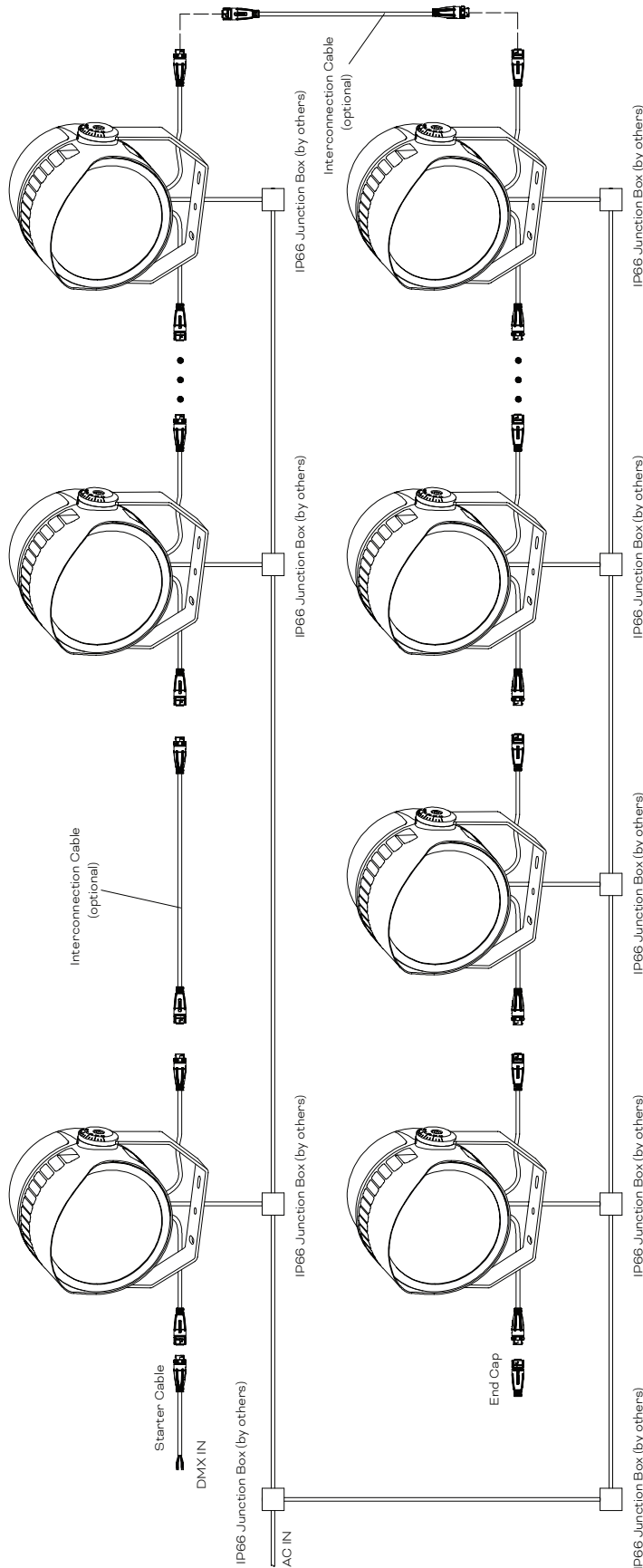
Adjust desired angles



Tighten the bracket bolts to fix the luminaire to the desired angle



 A safety wire must be installed to provide secondary protection to prevent fixtures from falling and injuring people (by others).



-Data cabling from DMX source to Starter cable shall be Cat5e UTP or other cable type suitable for DMX communication.

Signal	Wire Size	Color	Connection
DMX+	0.5mm ²	Red	DMX+
DMX-	0.5mm ²	White	DMX-
Address	0.5mm ²	Black	GND
GND	0.5mm ²	Green	Do not connect

	For controlling the fixtures	For addressing the fixtures
Maximum distance from Control/Addressing source to the first fixture	80m / 262'	80m / 262'
Maximum distance between fixture to fixture	30m / 98'	12m / 39'
Maximum distance from Control source to last fixture on a single DMX512 link	200m / 656'	200m / 656'
Maximum number of fixtures on a single DMX512 link	40pcs	40pcs

Maximum number of fixtures is based on minimal interconnection lengths fixture to fixture.
Actual number of fixtures is dependent on cable interconnection lengths. The number of fixtures will reduce if longer cable lengths are used. Please consult regional sales office to confirm maximums.

Washer Go Midi White

Ordering

Model Number

XB	.	WG	.	N	.	N	.	N	.	N	.	N	.	1	.	0	.	0
				Wattage		LED		Optics		Control		Approbation		Add on				
				4: 100WAC		7: 2700K		1: 12°		1: DMX		2: ETL		1: With Glare Shield				
						8: 3000K		2: 25°										
						A: 4000K		3: 30°										
						D: 5700K		4: 45°										
						E: 6000K		5: 60°										
								6: 55° x 20°										
Desired Model Number:																		
XB.		WG.												1		0		0

Fixtures

Model No.	Description	Item Code
XB.WG.47112100	WASHER GO MIDI AC 100W 2700K 12° ETL GS	DL23100080355
XB.WG.48112100	WASHER GO MIDI AC 100W 3000K 12° ETL GS	DL23100080455
XB.WG.4A112100	WASHER GO MIDI AC 100W 4000K 12° ETL GS	DL23100080555
XB.WG.4D112100	WASHER GO MIDI AC 100W 5700K 12° ETL GS	DL23100080655
XB.WG.4E112100	WASHER GO MIDI AC 100W 6500K 12° ETL GS	DL23100080755
XB.WG.47212100	WASHER GO MIDI AC 100W 2700K 25° ETL GS	DL23100081655
XB.WG.48212100	WASHER GO MIDI AC 100W 3000K 25° ETL GS	DL23100081755
XB.WG.4A212100	WASHER GO MIDI AC 100W 4000K 25° ETL GS	DL23100081855
XB.WG.4D212100	WASHER GO MIDI AC 100W 5700K 25° ETL GS	DL23100081955
XB.WG.4E212100	WASHER GO MIDI AC 100W 6500K 25° ETL GS	DL23100082055
XB.WG.47312100	WASHER GO MIDI AC 100W 2700K 30° ETL GS	DL23100082955
XB.WG.48312100	WASHER GO MIDI AC 100W 3000K 30° ETL GS	DL23100083055
XB.WG.4A312100	WASHER GO MIDI AC 100W 4000K 30° ETL GS	DL23100083155
XB.WG.4D312100	WASHER GO MIDI AC 100W 5700K 30° ETL GS	DL23100083255
XB.WG.4E312100	WASHER GO MIDI AC 100W 6500K 30° ETL GS	DL23100083355
XB.WG.47412100	WASHER GO MIDI AC 100W 2700K 45° ETL GS	DL23100084255
XB.WG.48412100	WASHER GO MIDI AC 100W 3000K 45° ETL GS	DL23100084355
XB.WG.4A412100	WASHER GO MIDI AC 100W 4000K 45° ETL GS	DL23100084455
XB.WG.4D412100	WASHER GO MIDI AC 100W 5700K 45° ETL GS	DL23100084555
XB.WG.4E412100	WASHER GO MIDI AC 100W 6500K 45° ETL GS	DL23100084655
XB.WG.47512100	WASHER GO MIDI AC 100W 2700K 60° ETL GS	DL23100085555
XB.WG.48512100	WASHER GO MIDI AC 100W 3000K 60° ETL GS	DL23100085655
XB.WG.4A512100	WASHER GO MIDI AC 100W 4000K 60° ETL GS	DL23100085755
XB.WG.4D512100	WASHER GO MIDI AC 100W 5700K 60° ETL GS	DL23100085855
XB.WG.4E512100	WASHER GO MIDI AC 100W 6500K 60° ETL GS	DL23100085955
XB.WG.47612100	WASHER GO MIDI AC 100W 2700K 55x20° ETL GS	DL23100086855
XB.WG.48612100	WASHER GO MIDI AC 100W 3000K 55x20° ETL GS	DL23100086955
XB.WG.4A612100	WASHER GO MIDI AC 100W 4000K 55x20° ETL GS	DL23100087055
XB.WG.4D612100	WASHER GO MIDI AC 100W 5700K 55x20° ETL GS	DL23100087155
XB.WG.4E612100	WASHER GO MIDI AC 100W 6500K 55x20° ETL GS	DL23100087255

TX Connect

Model No.	Description	Item Code
N / A	STARTER CABLE JYK DATA 4-PIN 0.5M	DA23100095655
N / A	STARTER CABLE JYK DATA 4-PIN 2M	DA23100095755
N / A	INTERCONNECTION CABLE JYK DATA 4-PIN 0.5M	DA23100095855
N / A	INTERCONNECTION CABLE JYK DATA 4-PIN 2M	DA23100095955
N / A	END CAP JYK DATA 4-PIN W/TERM	DA23100096055

TX Control

Model No.	Description	Item Code
CD.SA.0000100	TX SMART ADDRESSER	AM438260055

