



Project: \_\_\_\_\_

Type: \_\_\_\_\_

## ProPoint™ Vista 200W White + Color

The ProPoint Vista White + Color is an AC line powered, high brightness luminaire. Controllable with DMX512, the ProPoint Vista White + Color is available in 200W and 400W output, 12 beam angle options, standard & custom finishes which can meet the needs for most projects. The daisy chain topology, and direct-wire nature of the fixture via the two integral cable whips allow for simple installation into existing installations and new structures, and is ideal for high-rise and tower illumination.

### Product Specifications



<b>Model</b>	ProPoint Vista 200W White + Color
<b>Light Source</b>	Discrete LED x 84
<b>Color Range</b>	3000K / 4000K 2700K, 3500K, 5000K, 6500K, Red, Green, Blue, Amber available <sup>1</sup>
<b>Beam Angle</b>	3° native <sup>2</sup> ; 5°, 8°, 10°, 15°, 20°, 30°, 40°, 55°, 80°, 50°x10°, 50°x5° via accessory Internal Louver (Standard)
<b>Luminous Flux (3000K)</b>	15123 lm
<b>(4000K)</b>	19324 lm
<b>Efficacy (3000K)</b>	78 lm/W
<b>(4000K)</b>	101 lm/W
<b>Lumen Maintenance</b>	L <sub>70</sub> @ 25° 81,000 hours
<b>Cover Lens</b>	Tempered Glass
<b>Housing</b>	Die Cast Aluminum
<b>Housing Finish Options</b>	Gray (RAL7015), Black (RAL9005), White (RAL9003)
<b>Adjustment Options</b>	±90° Vertical
<b>Size</b>	689mm x 357.2mm x 271.5mm (27.1" x 14.1" x 10.7")
<b>Weight</b>	22.3 kg (49.17 lbs.)
<b>EPA (sq.ft)</b>	ProPoint Vista 200W: Front: 1.17 Side: 0.63
<b>Regulatory/Product Certifications</b>	cETLus, CE, UKCA, FCC, RoHS, REACH, ASTM B117-16, ANSI 3G, IK08
<b>Operating Temperature</b>	-30°C to +55°C (-22°F to +131°F)
<b>Minimum Starting Temperature</b>	-20°C (-4°F)
<b>Storage Temperature</b>	-40°C to +80°C (-40°F to +176°F)
<b>Environment</b>	IP66 Outdoor, suitable for coastal environments
<b>Humidity</b>	85%, non-condensing
<b>Electrical Specifications</b>	
<b>Input Voltage<sup>3</sup></b>	100-277V <sub>AC</sub> 50/60Hz
<b>Wattage</b>	200W
<b>Power Factor</b>	≥ 0.9
<b>System Specifications</b>	
<b>Technology</b>	DynaMood®: BeamOne
<b>Power</b>	AC Line
<b>Control</b>	DMX512, RDM Enabled
<b>Power Supply</b>	Integrated

1. No MOQ required. Please consult regional sales office for pricing and lead time.
2. 3° native with actual measurement of avg. 3.8°.
3. Auto-switching, Single phase (line, neutral and ground).

**LED CHARACTERISTICS:** Because LEDs are semiconductor devices, their performances are subject to inherent variability commonly found in semiconductor industry. To improve consistency in performance across the same product, LED manufacturers "sort" LEDs into bins according to different preset parameters, such as forward driving voltage, illumination, etc. Whereas binning is a sorting function, it is not a correction process. Inherent variability in the manufacturing process always results in different binning distributions according to different production lots. Traxon uses automatically binned LEDs on its products, thereby minimizing output variations within the model range.

As with all electronic devices, LED output degrades over time – a term called lumen depreciation. This also explains why it is nearly impossible to expect photometric performances of two LED products with different service life spans to be the same. The rate of LED degrade is a complicated function involving many factors, such as operating efficiency, duration of continuous operation and, more significantly, environmental conditions (ambient temperature for example). If allowed, working under optimal operating temperature range and with good ventilation, LED devices enjoy long service lives over conventional light sources. When using/installing LED devices, care should be taken to ensure that the devices will operate within the operating conditions specified in respective product literature.

Lumen measurement complies with LM-79-08 standard.  
Lumen maintenance is calculated based on LM-80 compliant measurement.

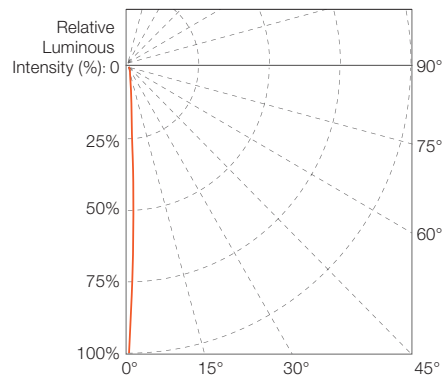
[www.traxontechnologies.com](http://www.traxontechnologies.com)  
[www.osram.us/traxon](http://www.osram.us/traxon)

©2022 TRAXON TECHNOLOGIES - AN OSRAM BUSINESS. ALL RIGHTS RESERVED. TRAXON™ AND TX CONNECT® ARE TRADEMARKS OF TRAXON TECHNOLOGIES. U.S. PATENTS, E.U. PATENTS, JAPAN PATENTS, OTHER PATENTS PENDING. SPECIFICATIONS ARE SUBJECT TO CHANGE WITHOUT NOTICE.

### Source Specifications

LED Source	Discrete LED x 84
Beam Angle	3°
Cover Lens	Tempered Glass

### Candela Distribution



### Light Output

Color Temperature	Luminous Flux (lm)	Candela Distribution @100%	Efficacy (lm/W)
3000K	15123	1418693	78
4000K	19324	2426934	101

### Illuminance at a Distance

	Center beam Lux/klm	Beam width (m)
10m	929	0.66m
20m	232	1.33m
30m	103	1.99m
40m	58	2.65m
50m	37	3.32m
60m	26	3.98m
70m	19	4.64m

● Horiz. Spread: 3.8°

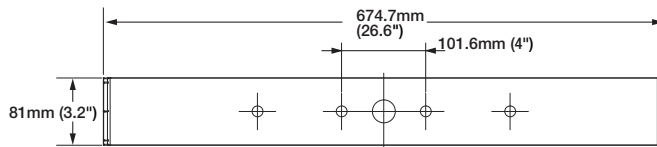
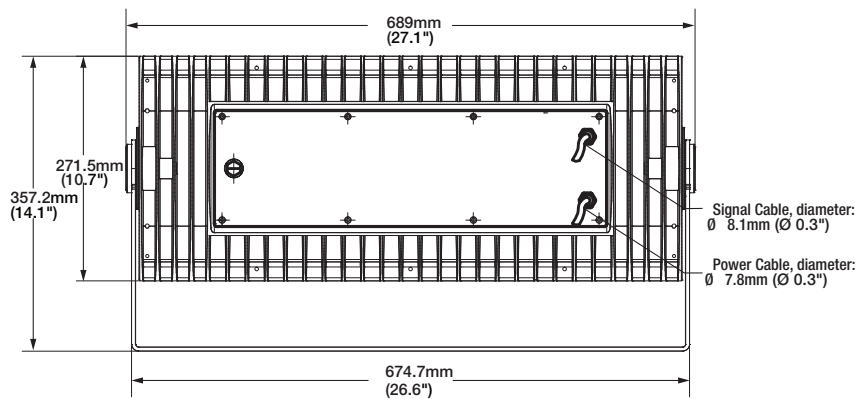
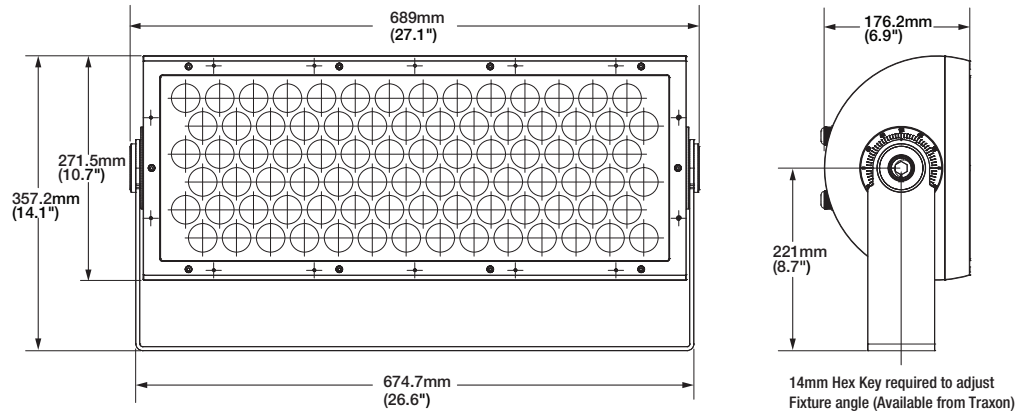
For fc divide by 10.7

For feet multiply by 3.28

IES and LDT files are available for download from the Traxon website.

Data may subject to change, please always download the latest copy from Traxon website.

[www.traxontechnologies.com](http://www.traxontechnologies.com)  
[www.osram.us/traxon](http://www.osram.us/traxon)



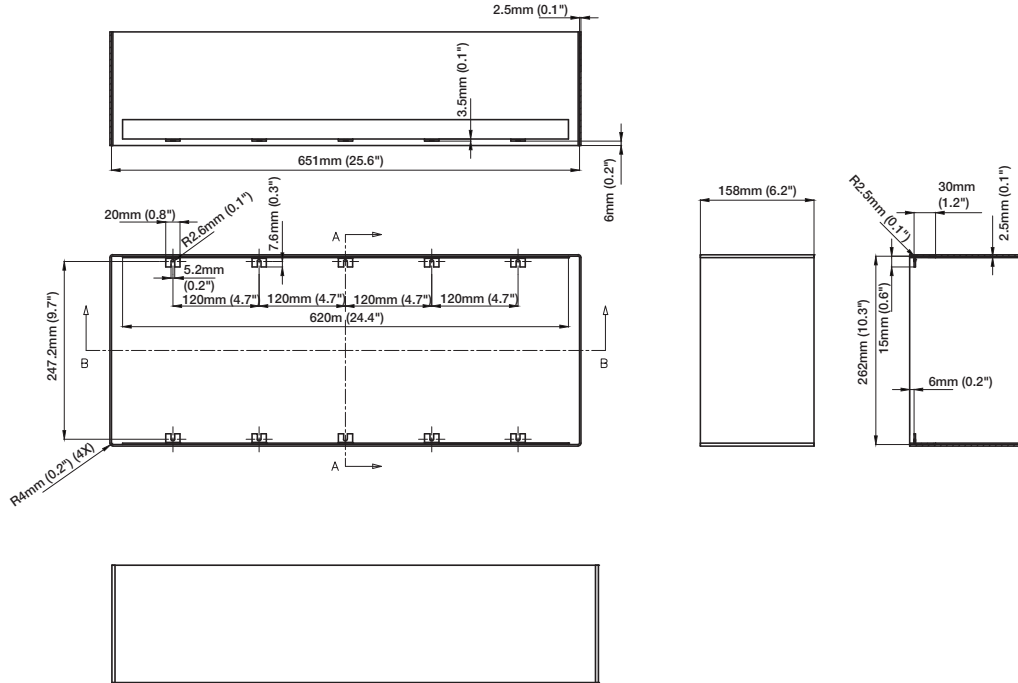
ProPoint Vista 200W open wire cable lengths

	Power input cable	Data in/out cable (combined)
Cable Length (open wire)	1830mm (72")	1830mm (72")
Cable Outer Diameter	7.8mm (0.31")	8.1mm (0.32")

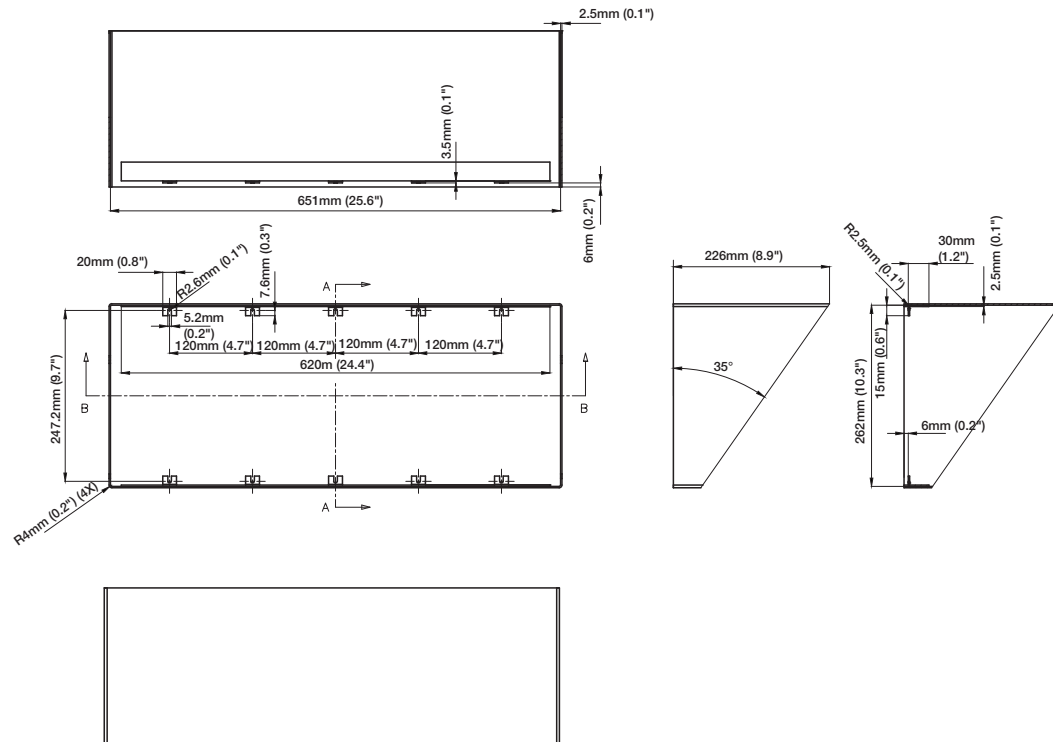
# ProPoint™ Vista 200W White + Color

# Dimensions

## Full Glare Shield



## Half Glare Shield



[www.traxontechnologies.com](http://www.traxontechnologies.com)  
[www.osram.us/traxon](http://www.osram.us/traxon)

©2022 TRAXON TECHNOLOGIES - AN OSRAM BUSINESS. ALL RIGHTS RESERVED. TRAXON™ AND TX CONNECT® ARE TRADEMARKS OF TRAXON TECHNOLOGIES. U.S. PATENTS, E.U. PATENTS, JAPAN PATENTS, OTHER PATENTS PENDING. SPECIFICATIONS ARE SUBJECT TO CHANGE WITHOUT NOTICE.

Product Specification

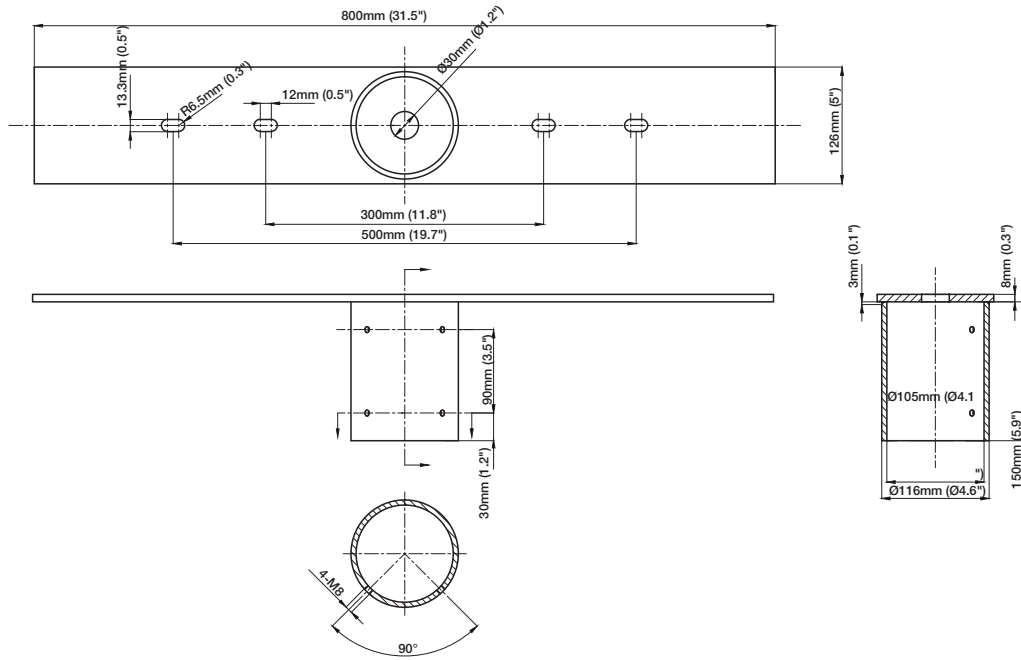
V1.7 03/22

4 of 10

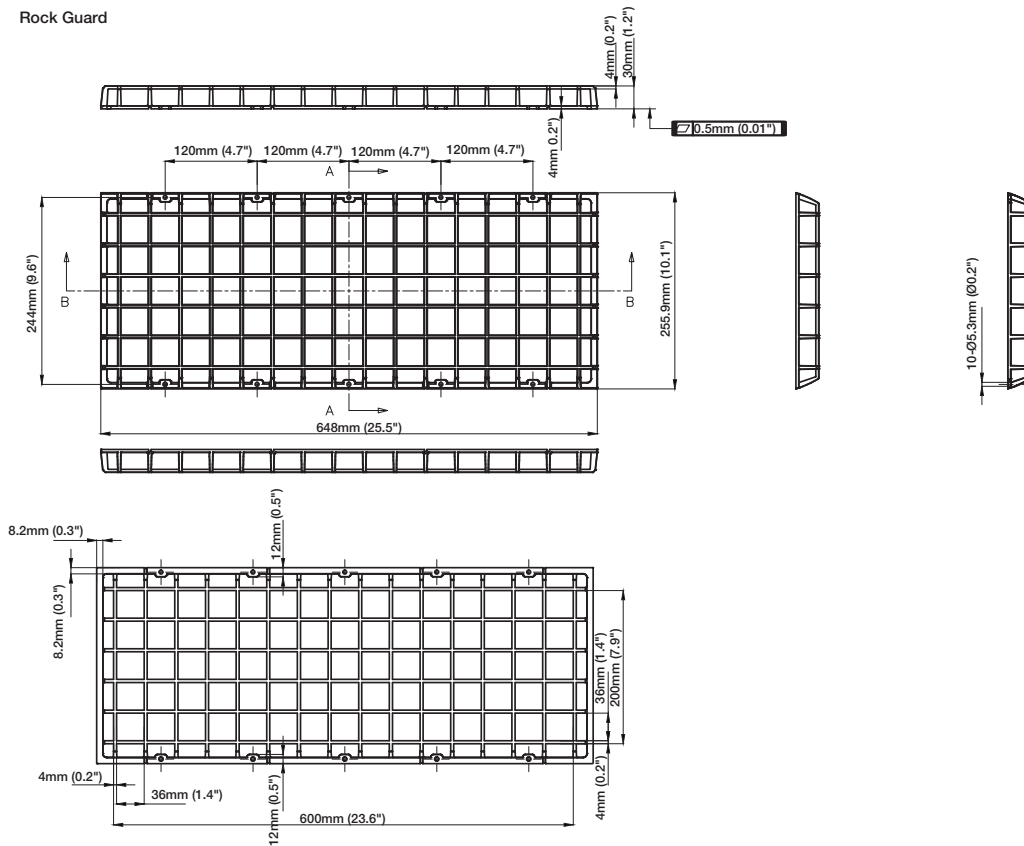
# ProPoint™ Vista 200W White + Color

## Dimensions

### Pole-Mounting Supporter

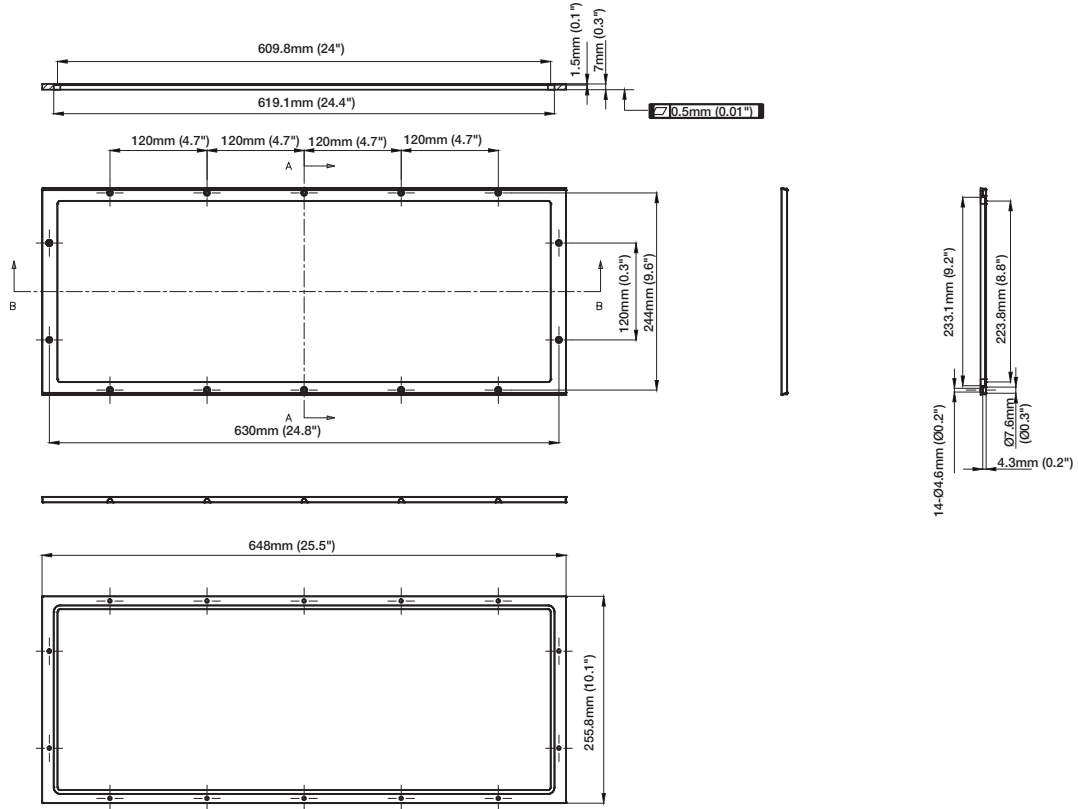


### Rock Guard

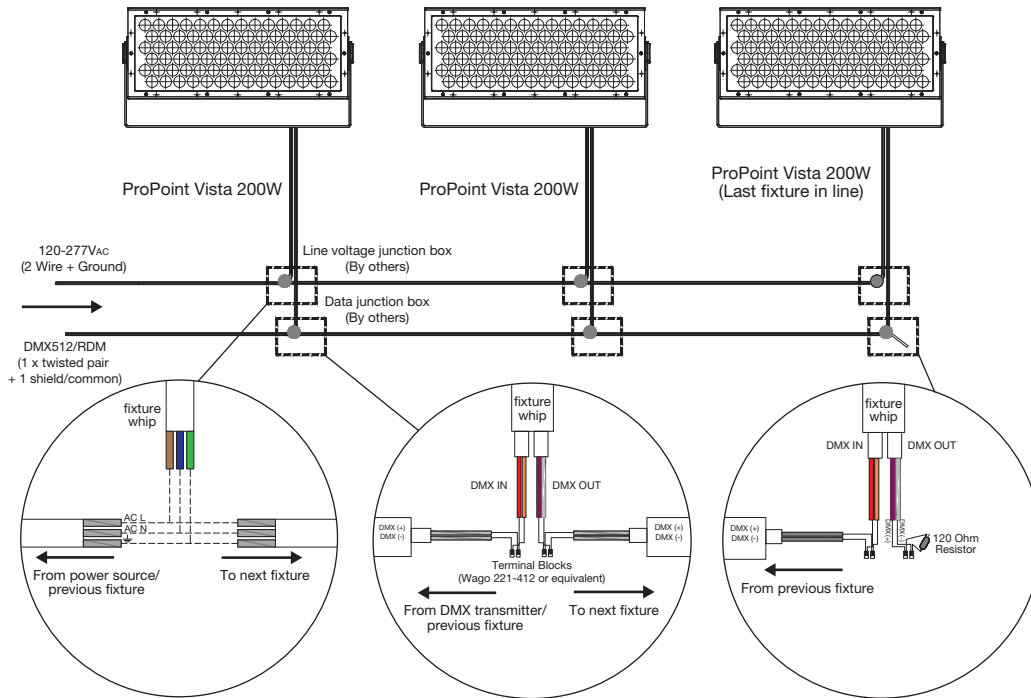


www.traxontechnologies.com  
www.osram.us/traxon

Spread Lens Frame



- ProPoint Vista fixtures ship with two cable whips: One cable whip for power input, consisting of two wires plus a ground, and one cable whip for DMX512 RDM input/output.
- No more than (32) fixtures on a single DMX512 link, max 300m total (source to last fixture).
- Data cabling from DMX source to first fixture and between subsequent ProPoint Vista fixtures shall be Cat5e UTP or higher (stranded type only) or other cable type suitable for DMX communication. Consult DMX standard for additional guidance.



- Each DMX512 link must be properly terminated to prevent signal reflections.

**General Notes**

- All data cabling must adhere to ANSI E1.11-2008 (R2013) – Entertainment Technology – USITT DMX512-A, Asynchronous Serial Digital Data Transmission Standard for Controlling Lighting Equipment and Accessories.
- Fixture is RDM compatible.
- Fixtures allow a universal input of 100VAC to 277VAC.
- Data termination shall utilize cage clamp terminal blocks, or equivalent. Wire nuts are not permissible and will void warranty.
- The method of line voltage termination, both for data and power, is at the discretion of the installing contractor, and/or engineer. Splicing and/or joining of cables must adhere to all applicable electrical codes.
- Cables must be spliced/joined in a weatherproof enclosure/junction box, which is to be properly rated and provided by others.

# ProPoint™ Vista 200W White + Color

Ordering

## Model Number (Fixtures)

PP	V2	9	1	X	1	1	X
ProPoint	Vista	Control	Color	CCT		Optic	Finish
	V2: Vista 200W	9: DMX	1: White	3: 3000K		1: 3°	1: Gray
				4: 4000K			2: Black
							3: White

## Fixtures

Model Number	Description	Item Code
PP.V2.913111	ProPoint Vista 200W 3000K 3° Gray	AM380190055
PP.V2.913112	ProPoint Vista 200W 3000K 3° Black	AM380210055
PP.V2.913113	ProPoint Vista 200W 3000K 3° White	AM380230055
PP.V2.914111	ProPoint Vista 200W 4000K 3° Gray	AM380200055
PP.V2.914112	ProPoint Vista 200W 4000K 3° Black	AM380220055
PP.V2.914113	ProPoint Vista 200W 4000K 3° White	AM380240055

[www.traxontechnologies.com](http://www.traxontechnologies.com)  
[www.osram.us/traxon](http://www.osram.us/traxon)



Model Number (Accessories)

PP	VA	0	X	X	0	0	X
ProPoint	Vista Accessories	Vista Size	Accessory Type	Spread Lens Package	Finish		
		0: 200W/400W	1: Anti-Glare Half Shield	0: n/a	1: Gray		
			2: Anti-Glare Full Shield	1: 5°	2: Black		
			3: Rockguard	2: 8°	3: White		
			4: Spread Lens Module	3: 10°			
			5: Pole-Mounting Support	4: 15°			
				5: 20°			
				6: 30°			
				7: 40°			
				8: 55°			
				9: 80°			
				A: 50° x 10°			
				B: 50° x 5°			

Accessories

Model Number	Description	Item Code
AM243520054	ProPoint Termination Kit	AM243520054
PP.AK.0000AA	ProPoint Allen Key Set (3mm – 17mm)	AS000490055
PP.AK.000014	ProPoint 14mm Allen Key	AS000430055
PP.VA.010001	PP Vista Half Shield	AM380690055
PP.VA.020001	PP Vista Full Shield	AM380720055
PP.VA.030001	PP Vista Mask – Rock Guard	AM380730055
PP.VA.050001	PP Vista Pole-Mounting Support	AM380750055
PP.VA.041001	ProPoint Vista Spread Lens Module – 5°	AM380760055
PP.VA.042001	ProPoint Vista Spread Lens Module – 8°	AM380770055
PP.VA.043001	ProPoint Vista Spread Lens Module – 10°	AM380780055
PP.VA.044001	ProPoint Vista Spread Lens Module – 15°	AM380790055
PP.VA.045001	ProPoint Vista Spread Lens Module – 20°	AM380800055
PP.VA.046001	ProPoint Vista Spread Lens Module – 30°	AM380810055
PP.VA.047001	ProPoint Vista Spread Lens Module – 40°	AM380820055
PP.VA.048001	ProPoint Vista Spread Lens Module – 55°	AM380830055
PP.VA.049001	ProPoint Vista Spread Lens Module – 80°	AM380840055
PP.VA.04A001	ProPoint Vista Spread Lens Module – 50°x10°	AM380850055
PP.VA.04B001	ProPoint Vista Spread Lens Module – 50°x5°	AM380860055

www.traxontechnologies.com  
www.osram.us/traxon

## ProPoint™ Vista 200W White + Color

Ordering

### Accessories

Model Number	Description	Item Code
PP.VA.010002	PP Vista Half Shield BL	AM380870055
PP.VA.020002	PP Vista Full Shield BL	AM380880055
PP.VA.030002	PP Vista - Rock Guard BL	AM380890055
PP.VA.050002	PP Vista Pole-Mounting Support BL	AM380900055
PP.VA.041002	PP Vista Spread Module BL - 5°	AM380910055
PP.VA.042002	PP Vista Spread Module BL - 8°	AM380920055
PP.VA.043002	PP Vista Spread Module BL - 10°	AM380930055
PP.VA.044002	PP Vista Spread Module BL - 15°	AM380940055
PP.VA.045002	PP Vista Spread Module BL - 20°	AM380950055
PP.VA.046002	PP Vista Spread Module BL - 30°	AM380960055
PP.VA.047002	PP Vista Spread Module BL - 40°	AM380970055
PP.VA.048002	PP Vista Spread Module BL - 55°	AM380980055
PP.VA.049002	PP Vista Spread Module BL - 80°	AM380990055
PP.VA.04A002	PP Vista Spread Module BL - 50° x10°	AM381000055
PP.VA.04B002	PP Vista Spread Module BL - 50° x5°	AM381010055
PP.VA.010003	PP Vista Half Shield WT	AM381020055
PP.VA.020003	PP Vista Full Shield WT	AM381030055
PP.VA.030003	PP Vista - Rock Guard WT	AM381040055
PP.VA.050003	PP Vista Pole-Mounting Support WT	AM381050055
PP.VA.041003	PP Vista Spread Module WT - 5°	AM381060055
PP.VA.042003	PP Vista Spread Module WT - 8°	AM381070055
PP.VA.043003	PP Vista Spread Module WT - 10°	AM381080055
PP.VA.044003	PP Vista Spread Module WT - 15°	AM381090055
PP.VA.045003	PP Vista Spread Module WT - 20°	AM381100055
PP.VA.046003	PP Vista Spread Module WT - 30°	AM381110055
PP.VA.047003	PP Vista Spread Module WT - 40°	AM381120055
PP.VA.048003	PP Vista Spread Module WT - 55°	AM381130055
PP.VA.049003	PP Vista Spread Module WT - 80°	AM381140055
PP.VA.04A003	PP Vista Spread Module WT - 50° x10°	AM381150055
PP.VA.04B003	PP Vista Spread Module WT - 50° x5°	AM381160055

### Our Brands

traxon **ecue**

[www.traxontechnologies.com](http://www.traxontechnologies.com)  
[www.osram.us/traxon](http://www.osram.us/traxon)

**OSRAM**